

**SPECIFICATION, INSTALLATION
AND OPERATION MANUAL**
READ ALL INSTRUCTIONS BEFORE USE

**Refrigerated Food Bar
Straight / Square**



Models:

WR.CFS23 / WR.CFSQ23
WR.CFS24 / WR.CFSQ24
WR.CFS25 / WR.CFSQ25
WR.CFS26 / WR.CFSQ26

Page Intentionally Left Blank

Introduction

Your New Woodson Product	3
Australia and New Zealand Warranty	4
<i>Warranty Period</i>	
<i>Warranty Registration</i>	
General Precautions	4

Installation

Product Overview.	5
Setting Up	6
<i>Handling</i>	
<i>Unpacking</i>	
<i>Positioning</i>	
Electrical Connection	7
<i>Information</i>	
Plumbing Connections	7
<i>Information</i>	
Refrigeration	7

Specification

Technical Specification	8
<i>WR.CFS23</i>	
<i>WR.CFS24</i>	
<i>WR.CFS25</i>	
<i>WR.CFS26</i>	
<i>WR.CFSQ23</i>	
<i>WR.CFSQ24</i>	
<i>WR.CFSQ25</i>	
<i>WR.CFSQ26</i>	

Operation

Initial Start-up & Operation	12
<i>Controller</i>	
<i>Initial Start Up</i>	
<i>Food Temperature</i>	
<i>Operation</i>	
<i>Loading Restrictions</i>	
<i>After Service - Information</i>	
Temperature Adjustment	13

Cleaning and Maintenance

Cleaning	14
<i>General Information</i>	
<i>Corrosion Protection</i>	
<i>Surface Finish</i>	
<i>Cleaning Schedule</i>	
<i>Materials Required</i>	
<i>Display (Daily)</i>	
<i>Display Glass</i>	
<i>External Surfaces</i>	
<i>Ventilation Panels</i>	
<i>Condenser</i>	
Troubleshooting	16
<i>Troubleshooting Procedures</i>	
Disposal	17

Your New Woodson Product

Thank you for choosing this quality Woodson product.

All Woodson products are designed and manufactured to meet the needs of food service professionals. By caring for and maintaining your new Woodson product in accordance with these instructions, will provide many years of reliable service.

Stoddart is a wholly Australian owned company, which manufactures and/or distributes a comprehensive range of food service equipment for kitchens, food preparation and presentation. Stoddart products are manufactured and/or engineered in Australia to provide excellent results whilst offering value-for-money, ease-of-use and reliability.

**Carefully read this instruction booklet, as it contains important advice for safe installation, operation and maintenance.
Keep this booklet on hand in a safe place for future reference by other operators or users.**

Disclaimer

The manufacturer and distributor cannot be held responsible or liable for any injuries or damages of any kind occurred to persons, units or others, due to abuse and misuse of this unit in regards to installation, removal, operation, servicing or maintenance, or lack of conformity with the instructions indicated in this documentation.

All units made by the manufacturer are delivered assembled, where possible, and ready to install. Any installation, removal, servicing, maintenance and access or removal of any parts, panels or safety barriers that is not permitted, does not comply in accordance to this documentation, or not performed by a **TRAINED AND AUTHORISED SPECIALIST** will result in the **IMMEDIATE LOSS OF THE WARRANTY.**

The manufacturer cannot be held responsible or liable for any unauthorized modifications or repairs. All modifications or repairs must be approved by the manufacturer in writing before initiating. All modifications or repairs performed to this unit must be performed at all times by a **TRAINED AND AUTHORISED SPECIALIST.**

**Stoddart design, manufacture & distribute Food Service Equipment (appliances) exclusively for the commercial market.
This appliance is not designed nor intended for household or domestic use & must not be used for this purpose.**

This product is intended for commercial use, and in line with Australian electrical safety standards the following warnings are provided:

- This product is not intended for use by persons (including children) with reduced physical, sensory or mental capabilities, or lack of experience and knowledge, unless they have been given supervision or instruction concerning the use of the product by a person responsible for their safety. Children should be supervised to ensure that they do not play with the product
- If the supply cord is damaged, it must be replaced by the manufacturer, its service agent or similarly qualified persons in order to avoid a hazard



Warranty & Registration

Australia and New Zealand Warranty

Warranty Period

Stoddart 12 month on-site parts and labour warranty (terms and conditions apply), from the time of purchase.

To view or download the warranty terms and conditions visit: <http://www.stoddart.com.au/warranty-information>

Warranty Registration

To register your new product, go to the Stoddart warranty page: <http://www.stoddart.com.au/warranty-registration>





General Precautions

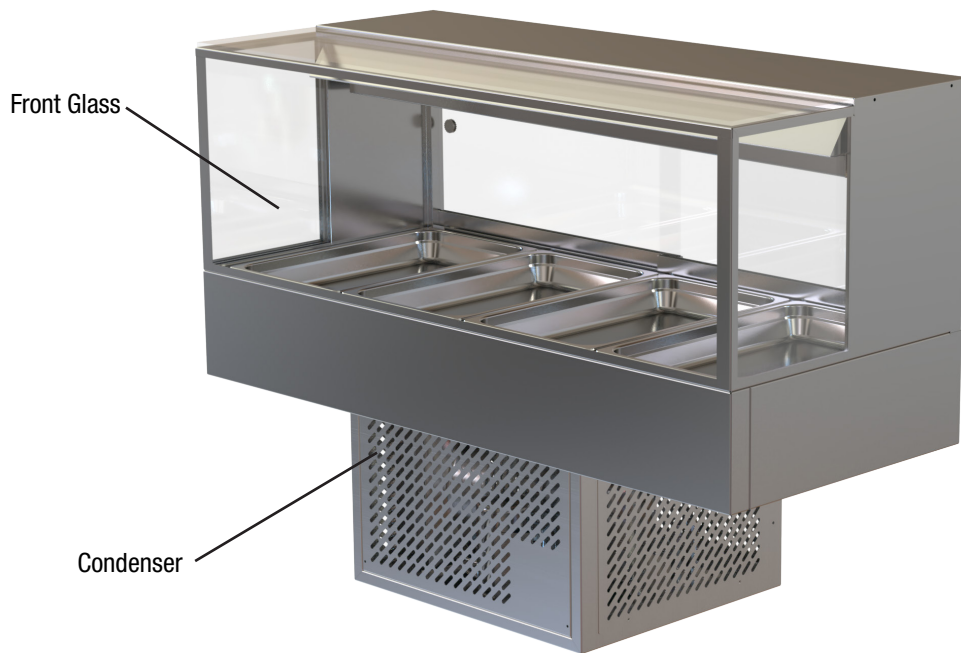
When using any electrical unit, safety precautions must always be observed.

Our units have been designed for high performance. Therefore, the unit must be used exclusively for the purpose for which it has been designed.

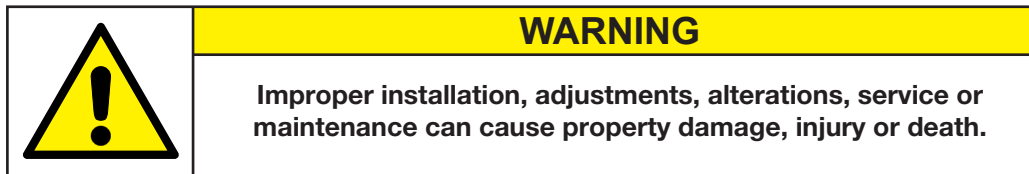
- All units **MUST** be installed according to the procedures stated in the installation section of this manual
- In the case of new personnel, training is to be provided before operating the equipment
- **DO NOT** use this unit for any other purpose than its intended use
- **DO NOT** store explosive substances such as aerosol cans with a flammable propellant in or near this unit
- Keep fingers out of “pinch point” areas
- Unit is not waterproof **DO NOT** use jet sprays, hoses or pour water over/on the exterior of the unit
- Only use this unit with voltage specified on the rating label
- **DO NOT** remove any cover panels that may be on the unit
- **DO NOT** use sharp objects to activate controls
- **DO NOT** use sharp objects to remove ice from the unit
- If any fault is detected, refer to troubleshooting
- The manufacturer declines any liability for damages to persons and/or things due to an improper/wrong and/or unreasonable use of the machine
- Only specifically trained/qualified Technicians (Stoddart, one of our service agents, or a similarly qualified persons) should carry out any and all repairs, maintenance and services

Product Overview

	IMPORTANT
	This unit is not designed to cool down products, it only maintains them at the controlled 2°C - 5°C
	CAUTION
	This unit includes refrigeration components. Cold surfaces can burn DO NOT touch these surfaces



Setting Up



Handling

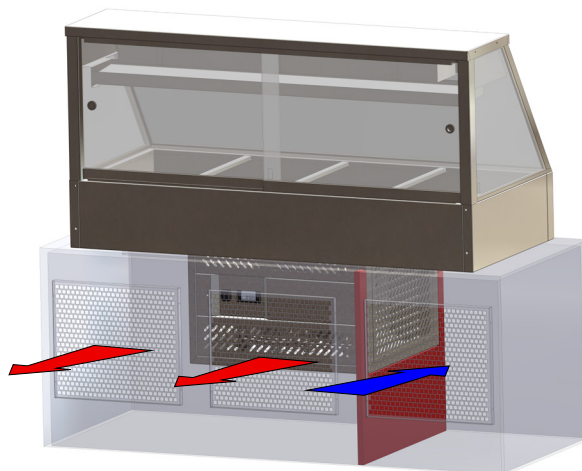
- Use suitable means to move the unit;
 - For smaller items use two people
 - For large items a fork lift, pallet trolley or similar (the forks should reach completely beneath the pallet)

Unpacking

- Check the unit for damage before and after unpacking. If unit is damaged, contact the distributor and manufacturer
- Should any item have physical damage, report the details to the freight company and to the agent responsible for the dispatch within seven (7) days of receipt. No claims will be accepted or processed after this period
- The unit is supplied fully assembled
- Remove all protective plastic film, tapes, ties and packers before installing and operating
- Clean off any remaining residue from the interior/exterior of the unit using a clean cloth dampened with warm soapy water

Positioning


- When moving the unit, ensure the cabinet is upright at all times
- When positioning the unit, avoid direct sunlight, warm drafts and heated areas for the unit to maintain the normal operating temperature
- Do not position the unit in:
 - Wet areas
 - Near heat and/or steam sources
 - Near flammable substances
- Ensure the unit is positioned on a level surface
- Allow an air gap of 100mm all the way around between all cabinets, walls and any other surfaces
- Allow a 300mm unobstructed gap all the way around the under-slung condensing unit
- Additional vents, fans or partitions may be required to allow for sufficient cross flow ventilation
- Air-in must not exceed 32°C
- (If the unit is installed near any heat sensitive material, allow additional space)



- Please consult national and local standards to ensure that your unit is positioned in accordance with any existing requirement

Electrical Connection

Information

	WARNING
	<p>This unit must be installed in accordance with AS/NZS 60335.1</p> <p>Some procedures in this manual require the power to the equipment to be turned off and isolated. Turn the power OFF at the power point and unplug the power supply lead by the plug body. If the power point is not readily accessible turn the equipment off at the isolation switch or the circuit breaker in the switchboard. Attach a yellow “CAUTION-DO NOT OPERATE” tag. This must be performed where relevant unless the procedures specify otherwise.</p> <p>FAILURE TO DO SO MAY RESULT IN ELECTRIC SHOCK.</p>

Single Phase Units:

- Supplied and fitted with an appropriately rated plug and lead, indicated as:
 - 10A plug & lead fitted

Notes:

- If the supply cord is damaged, it must be replaced by the manufacturer, its service agent or similarly qualified persons in order to avoid a hazard. Please contact Stoddart for parts and we will advise how to do this in order to avoid any electrical hazard
- The power cable should be dry and/or isolated from moisture or water

Refrigeration

The system is fully operational as soon as it leaves the factory. No addition setup is required.

Plumbing Connections

	IMPORTANT
	<p>This unit must be installed in accordance with AS/NZ 3500.1</p>

Information

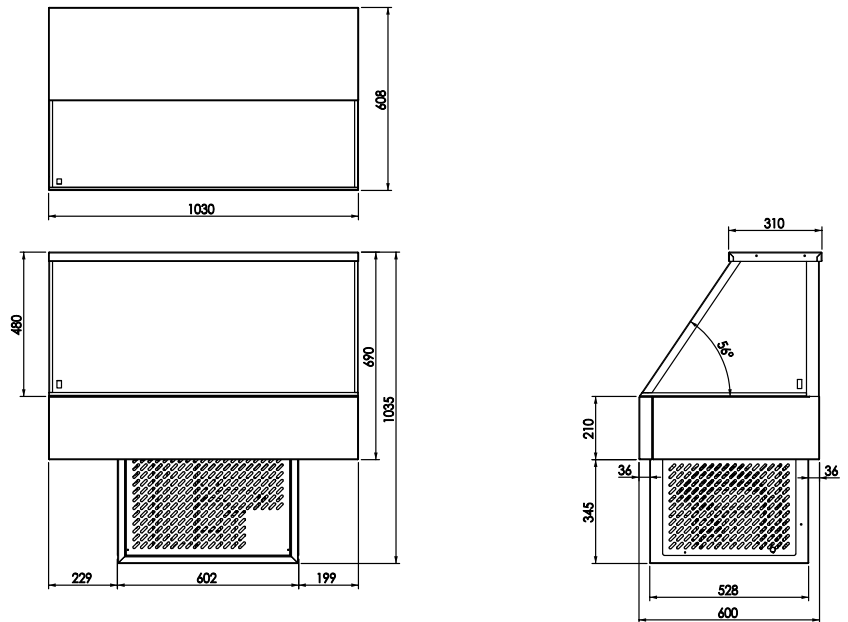
- Unit must be drained to a tundish via a hose

Technical Specification

WR.CFS23

Specifications

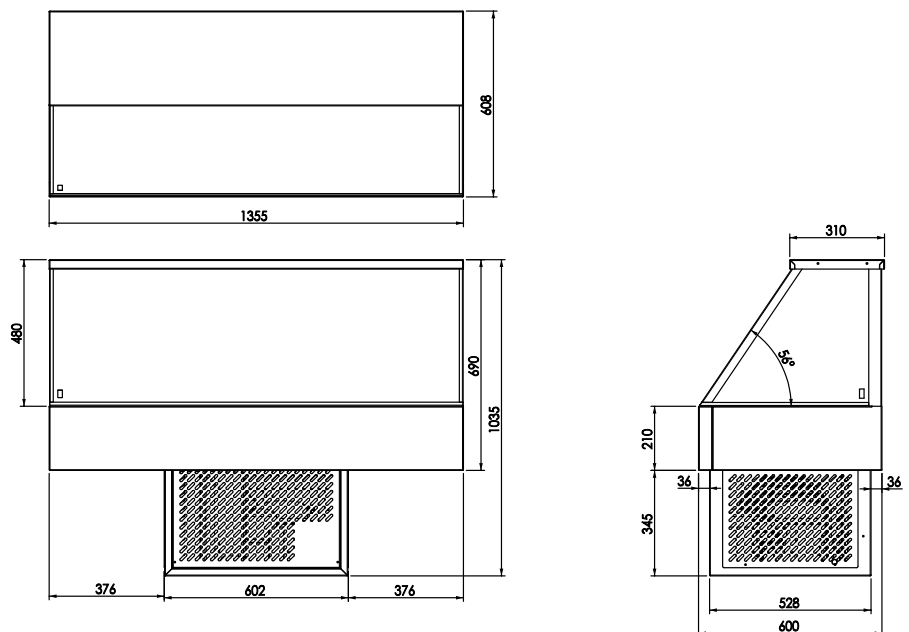
Model	WR.CFS23
W x D x H (mm)	1030 x 608 x 1035
Operation	2°C - 5°C
Max Ambient	30°C
Power	220 - 240V 10A plug & lead



WR.CFS24

Specifications

Model	WR.CFS24
W x D x H (mm)	1355 x 608 x 1035
Operation	2°C - 5°C
Refrigerant	R134a
Power	220 - 240V 10A plug & lead

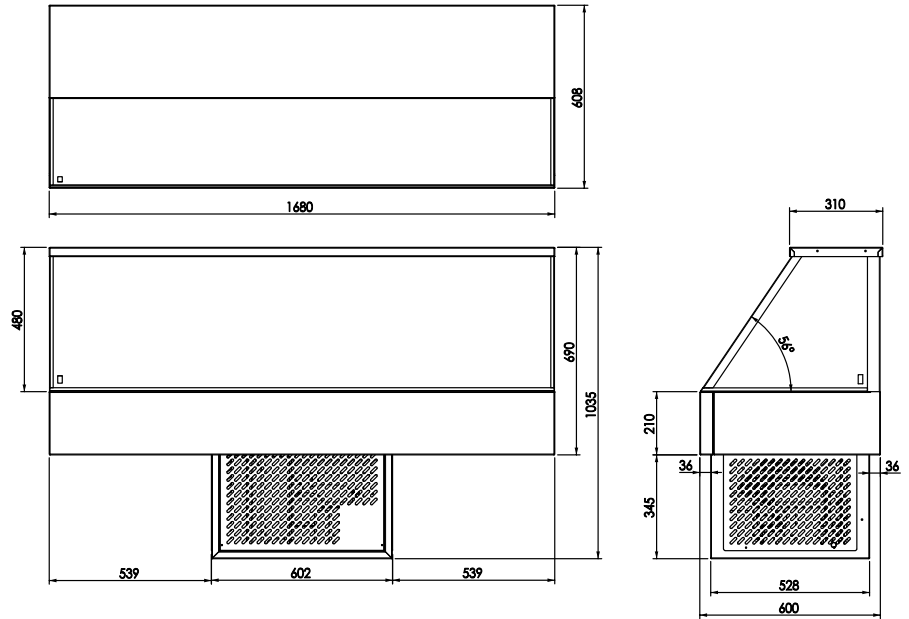


Due to continuous product research and development, the information contained herein is subject to change without notice.

WR.CFS25

Specifications

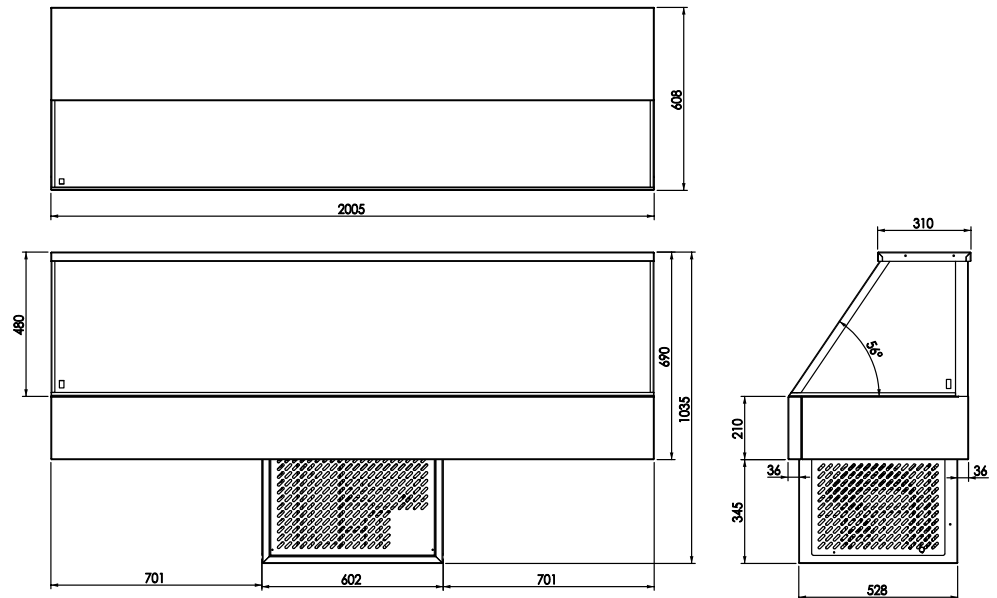
Model	WR.CFS25
W x D x H (mm)	1680 x 608 x 1035
Operation	2°C - 5°C
Max Ambient	30°C
Power	220 - 240V 10A plug & lead



WR.CFS26

Specifications

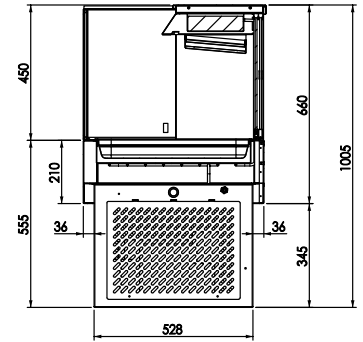
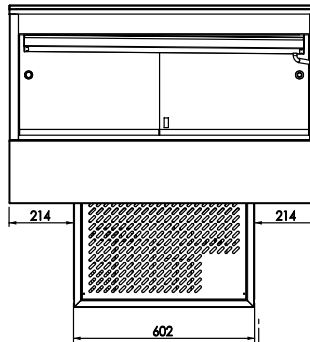
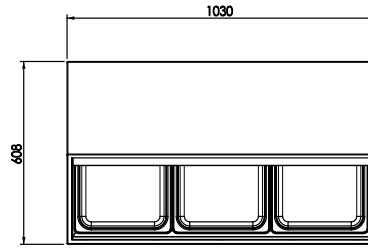
Model	WR.CFS26
W x D x H (mm)	2005 x 608 x 1035
Operation	2°C - 5°C
Refrigerant	R134a
Power	220 - 240V 10A plug & lead



WR.CFSQ23

Specifications

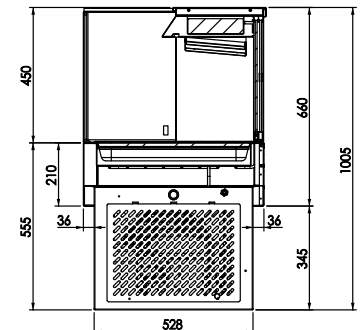
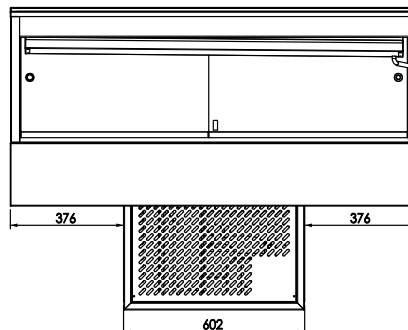
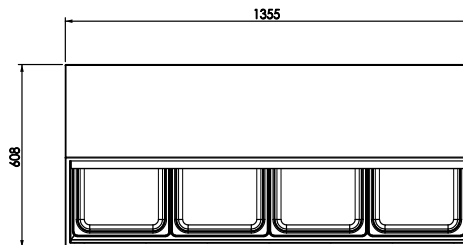
Model	WR.CFSQ23
W x D x H (mm)	1030 x 608 x 1005
Operation	2°C - 5°C
Refrigerant	R134a
Power	220 - 240V 10A plug & lead



WR.CFSQ24

Specifications

Model	WR.CFSQ24
W x D x H (mm)	1355 x 608 x 1005
Operation	2°C - 5°C
Refrigerant	R134a
Power	220 - 240V 10A plug & lead

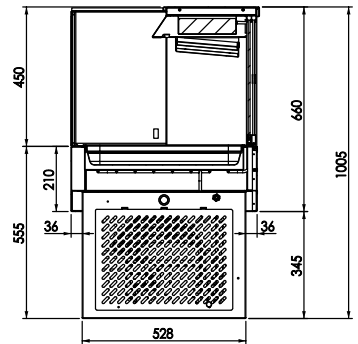
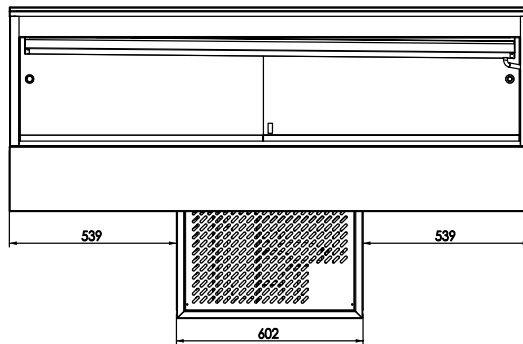
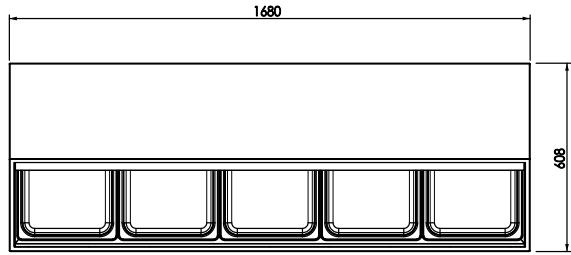


Due to continuous product research and development, the information contained herein is subject to change without notice.

WR.CFSQ25

Specifications

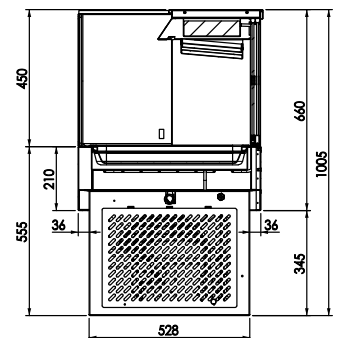
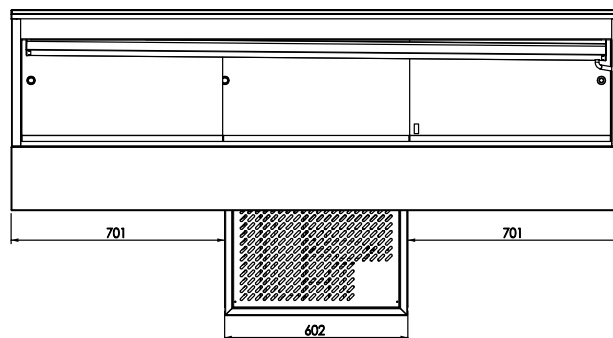
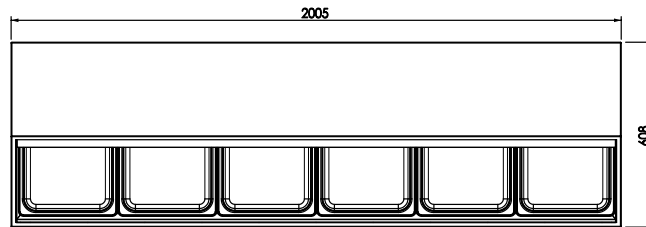
Model	WR.CFSQ25
W x D x H (mm)	1680 x 608 x 1005
Operation	2°C - 5°C
Refrigerant	R134a
Power	220 - 240V 10A plug & lead



WR.CFSQ26

Specifications

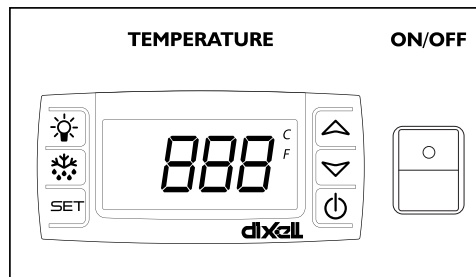
Model	WR.CFSQ26
W x D x H (mm)	2005 x 608 x 1005
Operation	2°C - 5°C
Refrigerant	R134a
Power	220 - 240V 10A plug & lead



Initial Start-up & Operation

	IMPORTANT
	<p>This unit is not designed to cool down products, it only maintains them at the controlled 2°C - 5°C</p>

Controller



Initial Start Up

- Before switching ON the unit, ensure the unit is installed correctly
- Once switched ON, check that the air is flowing within the unit
- After 45 minutes check the cabinet temperature has reached 2°C - 5°C
- Leave the unit to operate for 1-2 hours to remove any fumes or odours
- Clean the whole unit, including the shelves, before placing in product

Food Temperature

- Ensure the unit is maintaining temperature is between 2°C - 5°C
- Ensure the doors are CLOSED when not loading to maintain temperature
- Do NOT place warm/hot items in the unit to chill, placing warm/hot items in the unit can lead to food spoilage and possibly food poisoning

Operation

- Unit is designed to run for a service period of approximately 3-4hrs, this may vary depending on the positioning of unit
- Ensure the unit is maintaining a temperature between 2°C - 5°C
- The temperature displayed on the electronic controller is the cooling unit temperature NOT the food temperature. It is important to regularly monitor the temperatures of the food
- If a warm product is introduced, there could be some delay before the temperature falls to the normal operating level
Placing warm items in the unit can lead to food spoilage and possibly food poisoning

Loading Restrictions

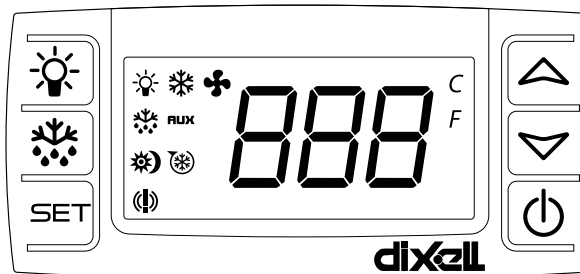
- Air grills on the sides and the baffle in the well must NOT be covered
- Pans MUST not be overflowing, as this will restrict airflow
- Ensure no items are stored around the service compartment and/or covering the ventilation slots

After Service - Information

- The unit must be turned off after service period
- Unit must be emptied and cleaned when switched off
- All pans should be cleaned and placed in night storage. No pans should be left in the unit
- There Must be no food items left in the unit

Temperature Adjustment

- The “Refrigerator” temperature can be set between 2°C - 5°C
- Different modes require different temperatures
- The temperature probe only measures the temperature of the water/air, NOT the food temperature




KEY FUNCTIONS:

SET	To display target set point; in programming mode it selects a parameter or confirm an operation.
❄️ (DEF)	To start a manual defrost.
⬆️ (UP)	To see the maximum stored temperature; in programming mode it browses the parameter codes or increases the displayed value.
⬇️ (DOWN)	To see the minimum stored temperature; in programming mode it browses the parameter codes or increases the displayed value.
⏻	To switch the instrument OFF, if onF = OFF.
💡	Not enabled.

KEY COMBINATIONS:

⬆️ + ⬇️	To lock and unlock the keyboard.
SET + ⬆️	To return to the room temperature display.

HOW TO SEE THE SET POINT:

- SET 
1. Push and immediately release the **SET** key, the display will show the set point value
 2. Push and immediately release the **SET** key or wait 5 seconds to display the probe value again

HOW TO CHANGE THE SET POINT:

1. Push the **SET** key for more than 2 seconds to change the set point value
2. The value of the set point will be displayed and the “°C” LED starts blinking
3. To change the set point value push the ⬆️ or ⬇️ arrows within 10 seconds
4. To memorise the new set point value push the **SET** key again or wait 10 seconds

Note: To enter in programming mode. (Contact the Stoddart Service Department)

Cleaning

General Information





- Cleaning is recommended for health and safety purposes and to prolong the life of the unit
- **DO NOT** use abrasive pads or cleaners on the stainless steel or any other metal parts of the unit
- **DO NOT** use industrial chemical cleaners, caustic based cleaners or bleaches and bleaching agents, as many will damage the metals and plastics used on this unit
- **DO NOT** remove any screws and/or panels for cleaning (unless directed)
- This unit is **NOT** waterproof, **DO NOT** hose, **DO NOT** pour water directly onto the unit, **DO NOT** immerse in water

Corrosion Protection

- Stainless steel exhibits good resistance to corrosion however, if not properly maintained stainless steel can rust and/or corrode
- Any sign of mild rust and/or corrosion should be thoroughly cleaned with warm soapy water and dried as soon as possible
- NEVER use abrasive pads or cleaners for cleaning
- All metal surfaces should be checked while cleaning for damage, scuffs or scrapes as these can lead to rust and further damage to the product
- Mild rust and/or corrosion can be treated with a commercial cleaning agent that contains citric/oxalic/nitric/phosphoric acid. **DO NOT** use cleaning agents with chlorides or other harsh chemicals as this can cause corrosion. After treatment, wash with warm (not hot) soapy water and dry thoroughly
- Thoroughly wipe the surfaces dry after cleaning. **DO NOT** let water pool on the unit. Check crevices and folds for pooling
- When using, ensure all liquids and moisture is cleaned up straight away. Food liquids such as juices from vegetables and fruits should not be left on preparation surfaces
- **DO NOT** leave items on the stainless steel such as cutting boards, rubber mats and bottles

Surface Finish

- To protect the polish, stainless steel should be dried by wiping a dry soft cloth in the same direction as grained polished finish
- For NON-food contact surfaces, a light oil can be wiped on the surfaces with a cloth to enhance the stainless steel surface. Wipe in the direction of the grain
- Some commercial stainless steel cleaners can leave residue or film on the metal; this may trap fine particles of food on the surface, thus deeming the surfaces not food safe

	<p style="text-align: center;">IMPORTANT</p> <p>Threaded fasteners can loosen in service. Regular inspection and adjustment should be carried out as required</p>		<p style="text-align: center;">WARNING</p> <p>This unit is NOT waterproof, DO NOT hose. DO NOT pour water directly onto the unit. DO NOT immerse in water</p>
	<p style="text-align: center;">IMPORTANT</p> <p>Some commercial stainless steel cleaners leave residue or film on the metal that may entrap fine particles of food, deeming the surface not FOOD SAFE</p>		<p style="text-align: center;">WARNING</p> <p>This unit includes refrigeration components. Cold surfaces can burn DO NOT touch these surfaces</p>

Cleaning Schedule

- Regular cleaning is recommended for the unit. This will help to maintain and prolong the efficiency of the unit

Materials Required

- Stainless Cleaner
- Non Abrasive Cleaning pad
- Clean Sanitised Cloth
- Paper Towel
- Warm Soapy Water
- Appropriate PPE (Personal Protective Equipment)

Display (Daily)

1. Isolate the unit from the power supply
2. Remove pans/containers and wash separately in a dishwasher or kitchen sink, thoroughly wipe dry after cleaning
3. Using a good quality nylon brush remove crumbs and small food items
4. Clean using a clean cloth dampened (not wet) with clean warm soapy water until all soil has been removed
5. Thoroughly wipe dry with a soft cloth after cleaning, do NOT allow to air dry. Do NOT let water pool, check crevices and folds

Display Glass

1. Clean the glass with a glass cleaner or warm (not hot) soapy water, and a sponge
2. Using a squeegee, remove all water from the glass

External Surfaces

1. Using a clean cloth dampened (not wet) with clean warm soapy water until any grime has been removed
2. Using a clean dry sanitised cloth, thoroughly wipe the stainless steel and metal parts dry. Do NOT let water pool on the unit. Check crevices and folds

Ventilation Panels

1. Use a vacuum to remove dust and debris from all ventilation panels
2. Do NOT use water or a hose to remove dust or debris

Condenser

Periodic cleaning of the condenser can extend the life of the unit. This must be done by a qualified service technician. Contact the Stoddart service department

Troubleshooting

Troubleshooting Procedures

- If any faults/issues occur with the unit, follow the below troubleshooting procedures
- If the troubleshooting procedures do not correct the problem, contact the Stoddart Service Department

	WARNING
	Technician tasks are only to be completed by qualified service people. Check faults before calling service technician.

(O) = Operator (T) = Technician Task

Problem	Possible Causes	Task	Possible Corrective Action
Unit does not operate/start	The mains isolating switch on the wall, circuit breaker or fuses are OFF at the power board	O	Turn isolating switch, circuit breaker or fuses ON
	Power switch is in the "Off" position	O	Change the power switch to the "ON" position
	Power Point is faulty	T	Arrange a qualified Technician to repair the power point
	Refrigeration circuit board(s) is hot	T	Replace / Fix circuit board(s)
Unit is too warm	Ambient air entering the units	O	Move away from air flow
	Exhaust fan above the unit	O	Move unit / exhaust fan
	Warm items in unit	O	Remove items / Pre-chill
	Air not circulating	O	Remove some items / Clear air vents/Grills
	Too many items in the unit (overloaded)	O	Remove some items
	Evaporator coil fins blocked	O	Clean fins / Defrost unit
	Evaporator coil iced up	O	Defrost Unit / Remove warm items / Fix or replace door seals
	Temperature probe broken / disabled	T	Replace / Enable probe
	Faulty electronic controller	T	Replace controller
Direct sunlight	O	Block sunlight, window tinting/shades	
Unit is too cold	Temperature probe broken/disabled	T	Replace / Enable probe
	Faulty electronic controller	T	Replace controller

Disposal

If the appliance is no longer of use, please dispose in an environmentally correct way.

Contact a qualified service technician:

- To recover all refrigerant
- To remove the compressor or remove the oil from the compressor

The distributor / retailer can contact their local metal recycling centre to collect the remaining cabinet, shelves, etc.

There may be special requirements or conditions. Information on the disposal of refrigeration appliances can be obtained from:

- Your supplier
- Government authorities (The local council, Ministry of the Environment, etc.)



Discarded electric appliances are recyclable and should not be discarded in the domestic waste! Please actively support us in conserving resources and protecting the environment by returning this appliance to the collection centres (if available).



PAP

Dispose of packaging in accordance to applicable legal regulations.

Australia

Service / Spare Parts

Tel: 1300 307 289

Email: service@stoddart.com.au

Email: spares@stoddart.com.au



Service Request

www.stoddart.com.au

Australian Business Number: 16009690251

Sales

Tel: 1300 79 1954

Email: sales@stoddart.com.au

New Zealand

Service / Spare Parts

Tel: 0800 935 714

Email: service@stoddart.co.nz

Email: spares@stoddart.co.nz



Service Request

www.stoddart.co.nz

New Zealand Business Number: 6837694

Sales / Spare Parts

Tel: 0800 79 1954

Email: sales@stoddart.co.nz

Email: spares@stoddart.co.nz

International

Service / Spare Parts

Tel: +617 3440 7600

Email: service@stoddart.com.au

Email: spares@stoddart.com.au



Service Request

www.stoddart.com.au

Sales

Tel: +617 3440 7600

Email: sales@stoddart.com.au