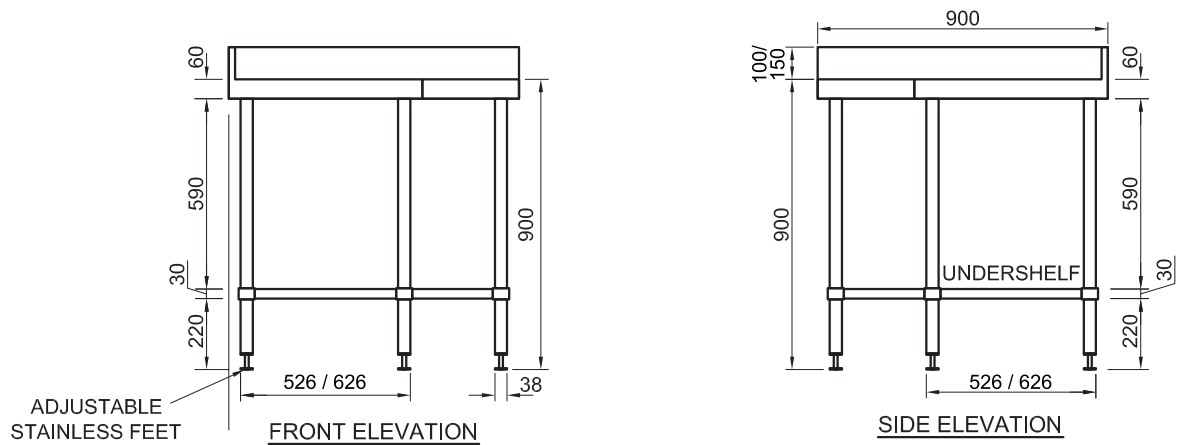


### Product Information:

- Corner bench for use with 600 or 700mm depth benches
- 1.2mm thick stainless steel top
- 3mm zincanneal coated steel reinforced backing to work top
- 38mm diameter stainless steel tube legs, 1.2mm thick
- Adjustable stainless steel disk feet fitted as standard
- 1.2mm thick stainless steel under-shelf with top hat stiffening
- 100mm splashback (600 series) or 150mm splashback with beveled edge (700 series)
- Vermin proofing included behind up stand with pre-drilled holes for fixing bench to rear wall
- Supplied flat packed ready for assembly



### General Drawing:



### Specifications:

**SS04.0900** 900mm x 600mm x 900mm

**SS04.7.0900** 900mm x 700mm x 900mm

Due to continuous product research and development, the information contained herein is subject to change without notice.

Revision: A - 12/03/2021

[www.stoddart.com.au](http://www.stoddart.com.au)

[www.stoddart.co.nz](http://www.stoddart.co.nz)