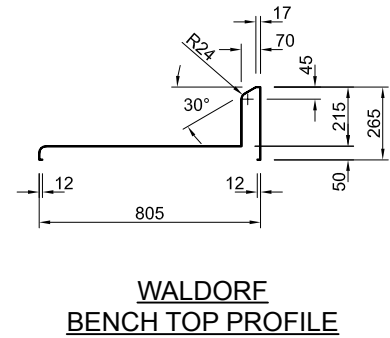
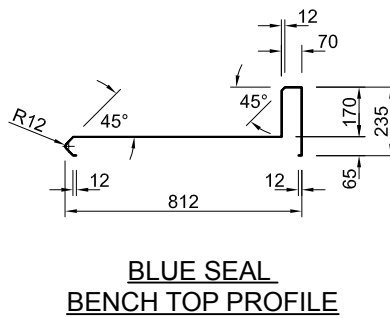
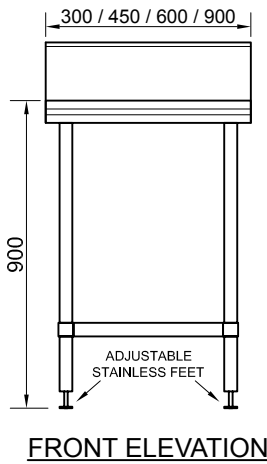


### Product Information:

- Profile of bench to match Blue Seal or Waldorf equipment
- 1.2mm thick stainless steel top
- 3mm zinc anneal steel reinforcing
- 38mm diameter stainless steel tube legs, 1.2mm thick
- Adjustable stainless steel disk feet fitted as standard
- 1.2mm thick stainless steel under-shelf with top hat stiffening
- Supplied flat packed ready for assembly



### General Drawing:



### Specifications:

<b>SS31.BS.0300</b>	300mm x 812mm x 900mm
<b>SS31.BS.0450</b>	450mm x 812mm x 900mm
<b>SS31.BS.0600</b>	600mm x 812mm x 900mm
<b>SS31.BS.0900</b>	900mm x 812mm x 900mm
<b>SS31.W.0300</b>	300mm x 805mm x 900mm
<b>SS31.W.0450</b>	450mm x 805mm x 900mm
<b>SS31.W.0600</b>	600mm x 805mm x 900mm
<b>SS31.W.0900</b>	900mm x 805mm x 900mm

Due to continuous product research and development, the information contained herein is subject to change without notice.

Revision: A - 12/03/2021

[www.stoddart.com.au](http://www.stoddart.com.au)

[www.stoddart.co.nz](http://www.stoddart.co.nz)