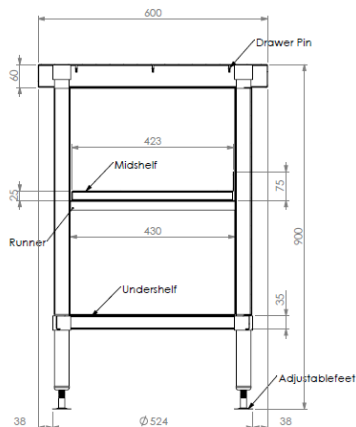


Product Information:

- 1.2mm thick stainless steel
- Encloses 3 sides of matching 01, 02 and 03 model benches to create a seamless front counter without doors (Also available for Sink Benches 05 and 06 models)
- Runners included for mid shelf (optional accessory)
- Mid shelves available to suit
- Supplied flat packed ready for assembly



General Drawing:



Specifications:

- | | |
|----------------------|--|
| SS32.CCK.0900 | To suit 900mm wide dry benches (600 & 700 Series) |
| SS32.CCK.1200 | To suit 1200mm wide dry benches (600 & 700 Series) |
| SS32.CCK.1500 | To suit 1500mm wide dry benches (600 & 700 Series) |
| SS32.CCK.1800 | To suit 1800mm wide dry benches (600 & 700 Series) |
| SS32.CCK.2100 | To suit 2100mm wide dry benches (600 & 700 Series) |
| SS32.CCK.2400 | To suit 2400mm wide dry benches (600 & 700 Series) |

Due to continuous product research and development, the information contained herein is subject to change without notice.

Revision: A - 12/03/2021

www.stoddart.com.au

www.stoddart.co.nz