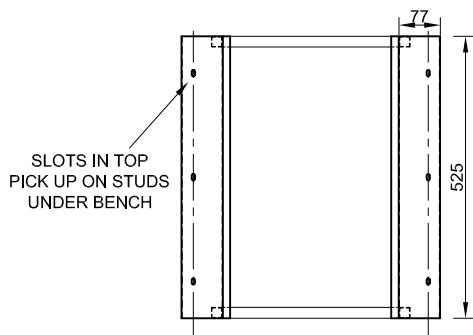


Product Information:

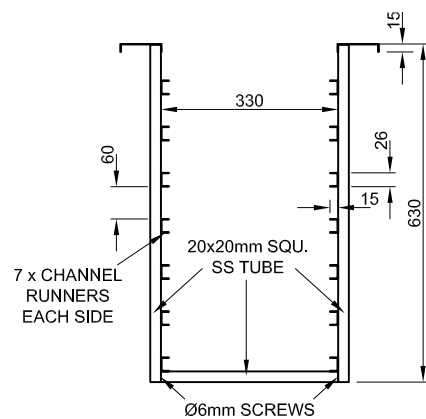
- Suits 1/1 Gastronorm pan (65mm depth)
- 6 pre-drilled holes around upper rim for direct fitting to Simply Stainless benches with pre-welded bolts on underside (products 01, 02, 03 & 18) or other benchtops made to suit
- Supplied flat packed ready for assembly



General Drawing:



TOP ELEVATION



FRONT ELEVATION

Specifications:

SS35.GDC 330mm x 525mm x 630mm