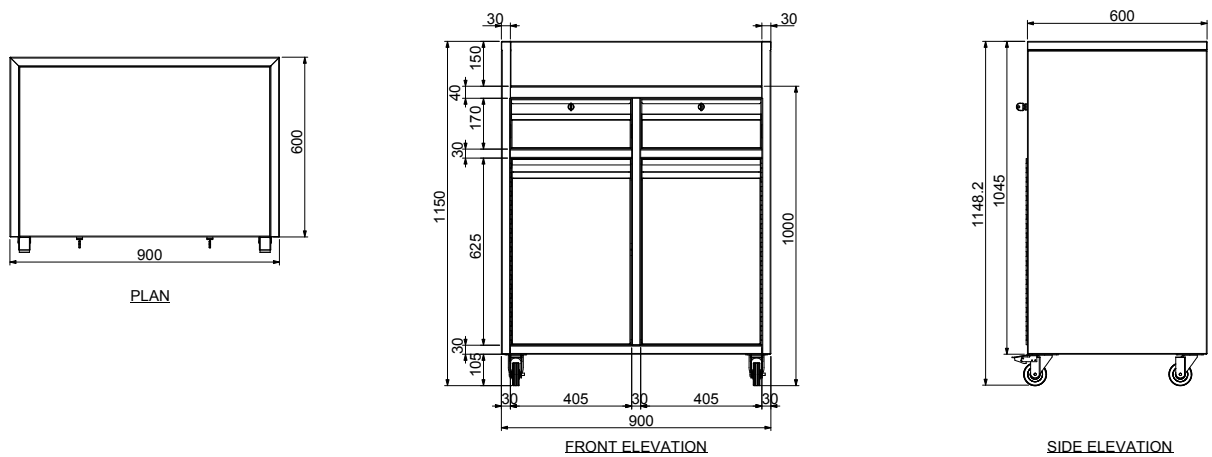


Product Information:

- 1.2mm thick double skinned stainless steel
- 2 drawers supplied with unique lock and key on each unit
- Full piano hinged double skin doors for storage with mid shelf to left hand side
- 100mm diameter castors, all swivel, 2 with brake
- Supplied fully assembled



General Drawing:



Specifications:

SS40.WS 900mm x 600mm x 1050mm

Due to continuous product research and development, the information contained herein is subject to change without notice.

Revision: A - 12/03/2021

www.stoddart.com.au

www.stoddart.co.nz