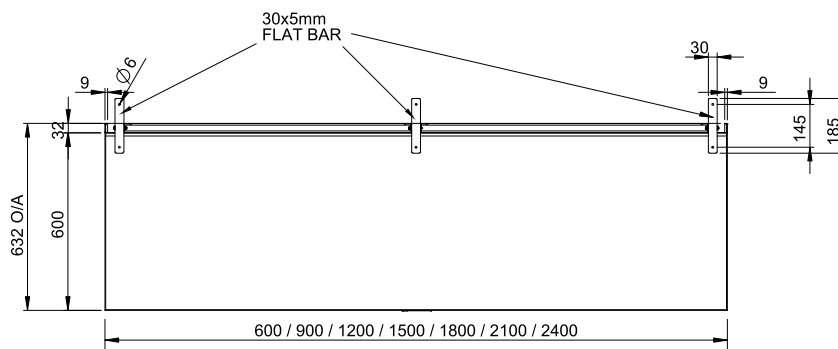


Product Information:

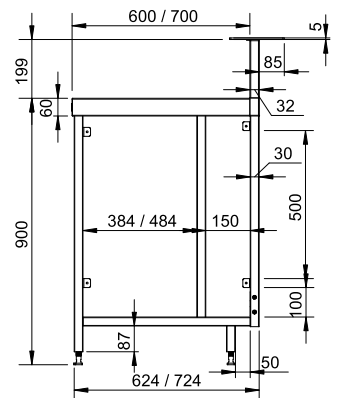
- High quality 304 grade stainless steel tops
- 1.2mm thick, no. 4 finish
- 3mm zinc anneal core, marine grade protective paint
- 30mm square stainless steel tube, satin polished
- Adjustable stainless lug feet
- 6mm stainless steel flat bar servery supports, welded to frame, 2 fixing holes
- 2100 & 2400 length units supplied with 6 legs
- Supplied flat packed ready for assembly



General Drawing:



PLAN



SIDE ELEVATION

Specifications:

SBM.0600	600mm x 600mm x 900mm
SBM.0900	900mm x 600mm x 900mm
SBM.1200	1200mm x 600mm x 900mm
SBM.1500	1500mm x 600mm x 900mm
SBM.1800	1800mm x 600mm x 900mm
SBM.2100	2100mm x 600mm x 900mm
SBM.2400	2400mm x 600mm x 900mm

SBM.7.0600	600mm x 700mm x 900mm
SBM.7.0900	900mm x 700mm x 900mm
SBM.7.1200	1200mm x 700mm x 900mm
SBM.7.1500	1500mm x 700mm x 900mm
SBM.7.1800	1800mm x 700mm x 900mm
SBM.7.2100	2100mm x 700mm x 900mm
SBM.7.2400	2400mm x 700mm x 900mm

Due to continuous product research and development, the information contained herein is subject to change without notice.

Revision: A - 12/03/2021

www.stoddart.com.au

www.stoddart.co.nz