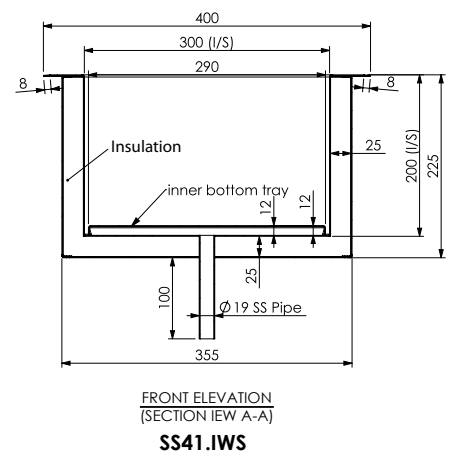
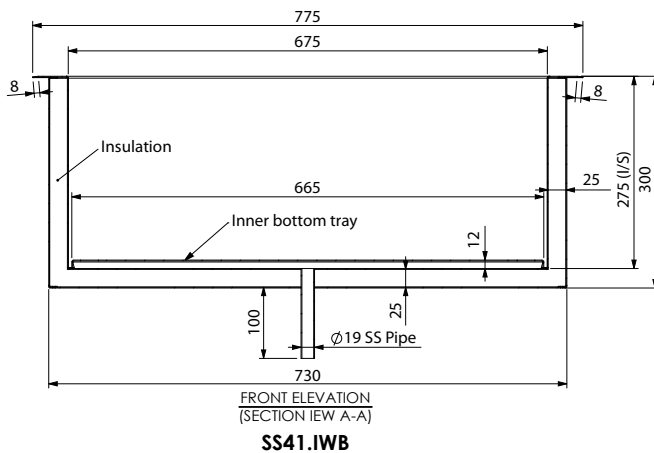


## Product Information:

- Drop In stainless steel Ice Wells
- 1.2mm gauge perforated inner bottom tray for catching unwanted materials
- 25mm styrofoam, double skinned insulated shell
- Available in two sizes to suit your application



## General Drawing:



## Specifications:

- SS41.IWB** 775mm x 480mm x 300mm  
**SS41.IWS** 400mm x 400mm x 225mm

Due to continuous product research and development, the information contained herein is subject to change without notice.

Revision: A - 16/03/2021

[www.stoddart.com.au](http://www.stoddart.com.au)  
[www.stoddart.co.nz](http://www.stoddart.co.nz)