

**Product Details**

Electrical Connection : Single phase 15 Amp plug & lead supplied

: 240V, 12.1A, 2900W

: 1 element @ 2900W (240V)

Pan Size

: 1/2 x 200 deep, 1 of

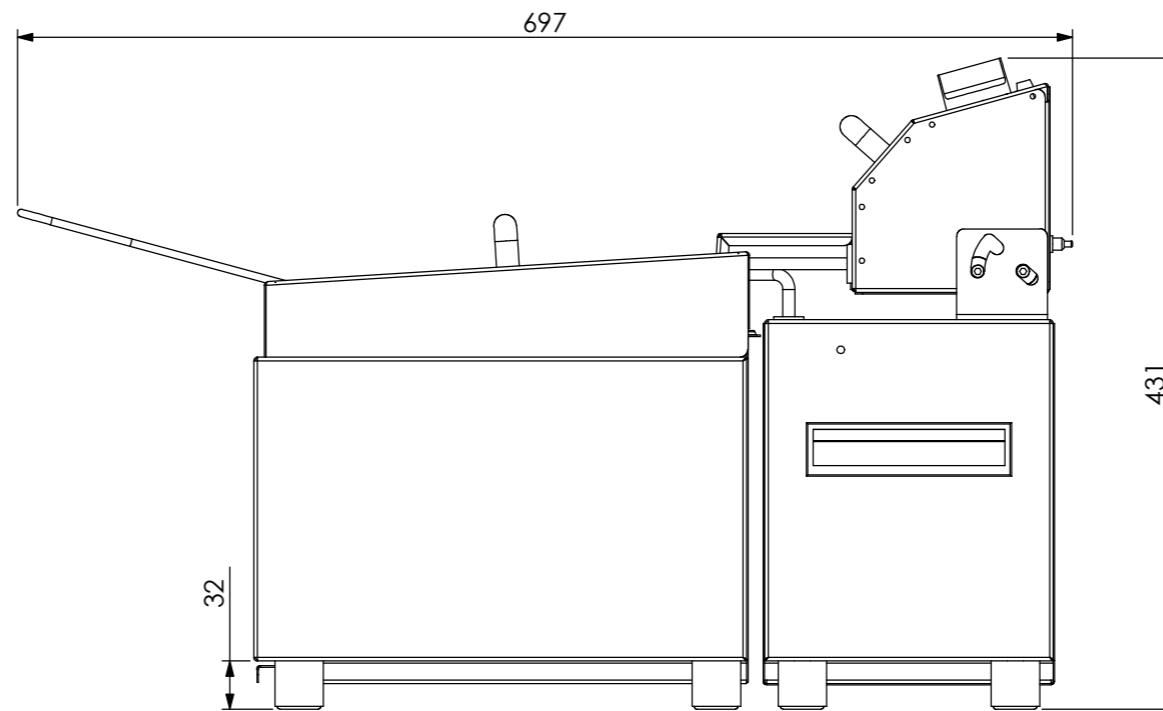
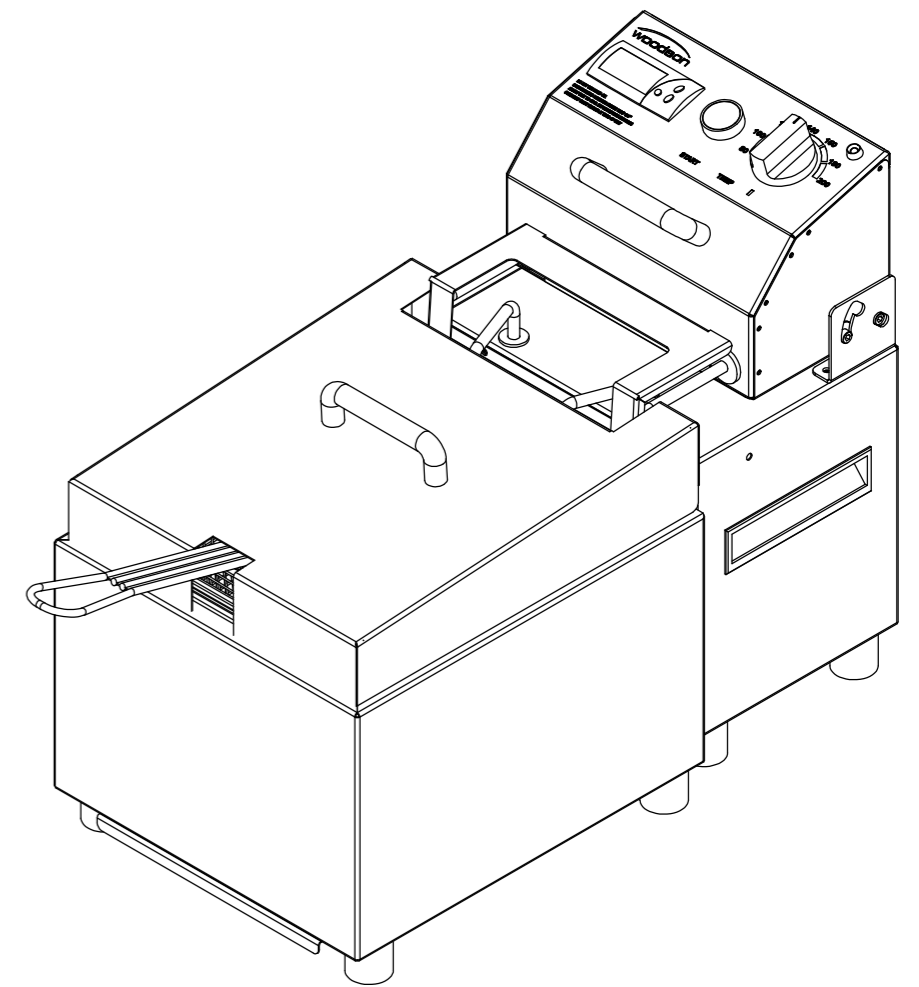
Unit Controls

: Knob with 205deg thermostat and indicator light

: Reset button for 238deg thermal overload

: Digital Timer

: Push Button Start



www.stoddart.com.au

				PART No: <b>W-FAS80 D2</b>	
				DESCRIPTION: Woodson; Fryer; Single Pan; Autolift; 8.0L	
DRAWN	NAME	CHECKED	DATE	UNLESS OTHERWISE SPECIFIED: DIMENSIONS ARE IN MILLIMETERS	
APPVD	CB	✓	22/02/2007		
Weight:				MATERIAL:	
Surface Area:				THICKNESS:	
DO NOT SCALE DRAWING		This drawing remains the property of Tom Stoddart Pty Ltd ABN 16 009 690 251 & cannot be reproduced without prior permission.			FINISH:
				DWG No:	Dwg. Issue
				W-FAS80-d01 D2	7
				A3	Sheet 1 of 24