

# URINALS

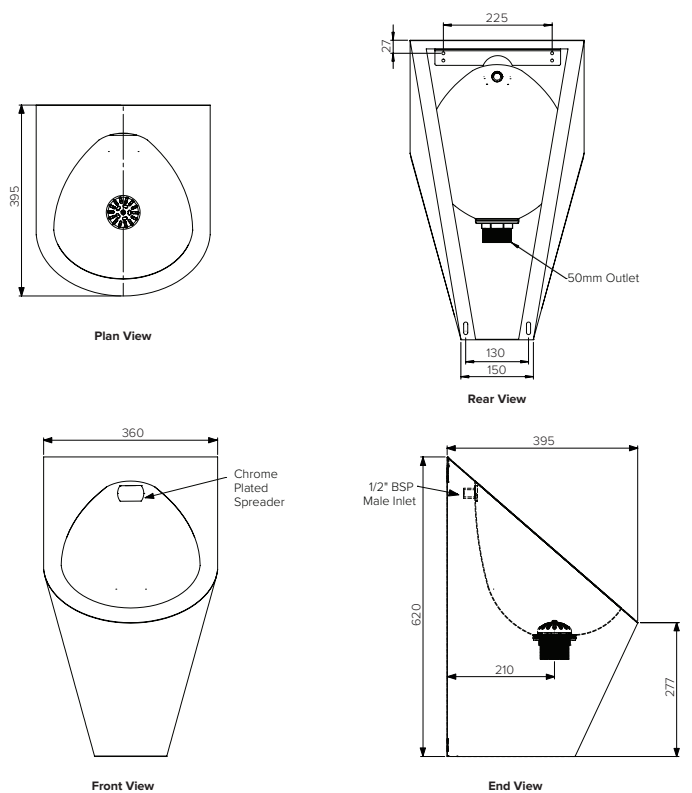
## Pod Urinal

### Model: SPPL.UR.P.xx

SPPL = Stoddart Plumbing Product  
 UR = Urinal  
 P = POD  
 xx = T = top entry water supply  
 = R = rear entry water supply  
 eg.: for specification and ordering quote  
 Code: SPPL.UR.P.xx

### Features and Benefits:

- Vandal resistant, ideal for public amenities, clubs, pubs, sporting grounds, site sheds and demountable buildings
- Cost effective solution
- Modern, sleek design



### Specifications:

- Construction:** Fully welded 1.2mm thick 304 stainless steel construction, no.4 satin finish.
- Water Connection:** Top or rear entry Designed for WELS approved flush devices.
- Waste Connection:** 50mm threaded outlet.
- Unit Fixing:** Rear mounting strip Suggested mounting heights (dimensions from floor to front rim of unit) Adults - 610mm, Children - 510mm.

### Sold Separately

#### Flushing Device Options:



FD.CI.PC



FD.EUFS.MIC



Due to continuous product research and development, the information contained herein is subject to change without notice.  
 Revision: A -14/05/2021

www.stoddart.com.au  
 www.stoddart.co.nz