

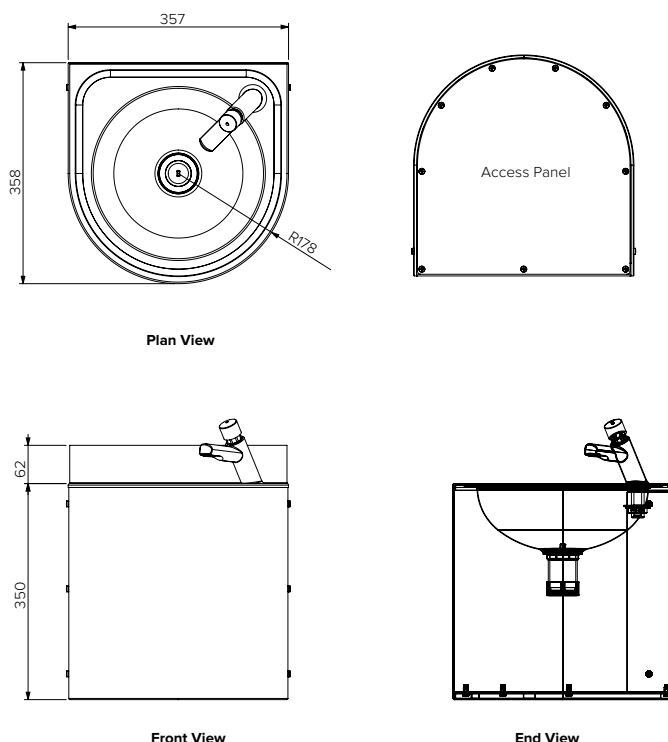
Round - Wall Mounted Vandal Resistant

Model: SPPL.WB.R.WM.VR

SPPL = Stoddart Plumbing Product
 WB = Wash Basin
 R = Round
 WM = Wall Mounted
 VR = Vandal Resistant
 eg.: for specification and ordering quote
 Code: SPPL.WB.R.WM.VR

Features and Benefits:

- Economical design makes this the affordable solution for schools and institutions (approved design for Government schools)
- Comes standard with push button tap
- Easy mount bracket system for quick installation to suit your preferred application
- No sharp edges to ensure safety and easy cleaning
- All optional tapware are WELS and Watermark approved



Specifications:

Construction: **Fully welded seamless, 304 grade stainless steel construction, no.4 satin finish, with cover under to fully shroud pipe work. Approved design for Government Schools**

Water Connection: 15mm (1/2" BSP)

Waste Connection: 40mm waste connection

Unit Fixing: The unit is supplied with a stainless steel wall mounting bracket with 8mm diameter fixing holes. The fountain is fixed to the bracket with 6mm stainless steel fixings.

Sold Separately

Tapware Options:



Model No.	L x D x H (mm)
SPPL.WB.R.WM.VR	357 x 358 x 412



Due to continuous product research and development, the information contained herein is subject to change without notice.
 Revision: A - 11/06/2021

www.stoddart.com.au
www.stoddart.co.nz

