

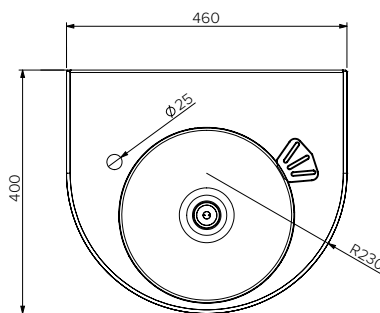
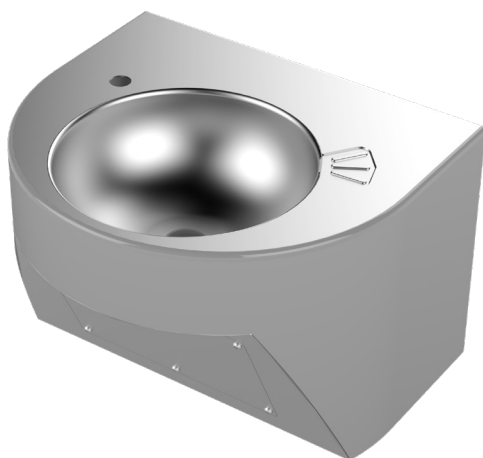
Wash Basin Secure Round - Disabled Access Compliant

Model: SPPL.WB.SR2.DA.NSB

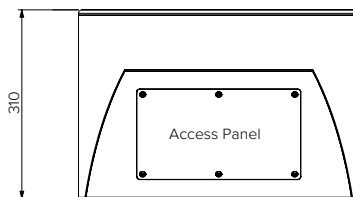
SPPL = Stoddart Plumbing Product
 WB = Wash Basin
 SR2 = Security Round
 DA = Disabled access
 NSB = No Splashback
 eg.: for specification and ordering quote
 Code: SPPL.WB.SR2.DA.NSB

Features and Benefits:

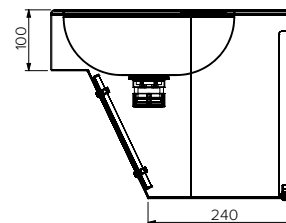
- Semicircular shroud with rolled front edge for user safety
- Vandal resistant, fully welded construction with secure access panel
- Designed to enable access for people with disabilities
- The basin comes ready to install with simple bracket system to minimise site work time
- All optional tapware are WELS and Watermark approved
- 316 grade variation is available as an optional extra



Plan View



Front View



End View

Specifications:

Construction: **Fully welded seamless 2mm thick, 304 grade stainless steel construction, no.4 satin finish**

Water Connection: 15mm (1/2" BSP)

Waste Connection: 40mm PVC waste supplied (Trap by others)

Unit Fixing: The unit is supplied with a wall mounting bracket with 10mm fixing holes. Recommended fixing height from basin top to finished floor level is 800 - 830mm.

Sold Separately

Tapware Options:



Model No.	L x D x H (mm)
SPPL.WB.SR2.DA.NSB	460 x 400 x 310



Due to continuous product research and development, the information contained herein is subject to change without notice.

Revision: A - 11/06/2021

www.stoddart.com.au
 www.stoddart.co.nz