



AXH.FDCTSQ.09

Heated Food Display Countertop - Square

Product Information:

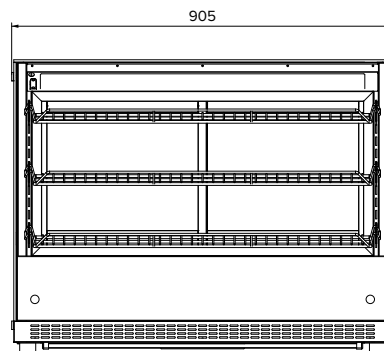
- Adjustable digital temperature control (from 60°C - 80°C)
- Efficient LED lighting for increased product visibility
- Frameless glass construction (single glazed) for exceptional display
- Water pan positioned for easy access, introducing humidity into the display - keeping products fresher for longer
- 3 tier (adjustable shelves)
- Supplied with sliding glass doors to rear

Designed and Engineered in Australia to meet Australian Standards
24 Months on-site parts and labour warranty

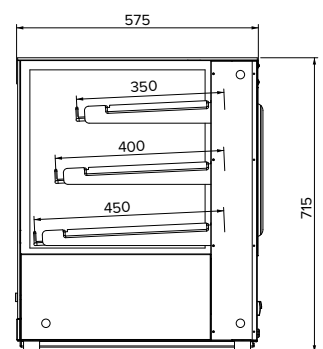


Specifications

Model	AXH.FDCTSQ.09
W x D x H (mm)	905 x 575 x 715
Weight	59kg
Packed Dimensions (mm)	980 x 670 x 870
Packed Weight	81kg
Operation	60°C - 80°C
Power	1.2kW 230VAC 10A plug & lead



FRONT VIEW



SIDE VIEW

Due to continuous product research and development,
the information contained herein is subject to change without notice.

Revision: 02 - 23/07/2021 - A

www.stoddart.com.au

www.stoddart.co.nz

