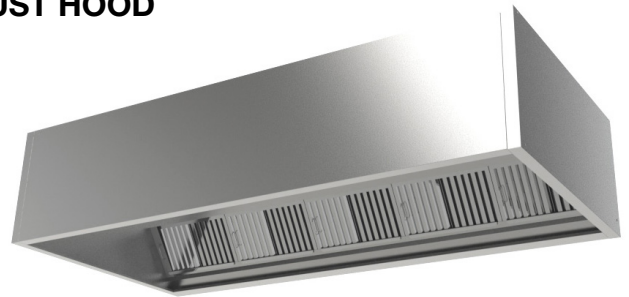




KVX - EXHAUST HOOD



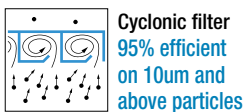
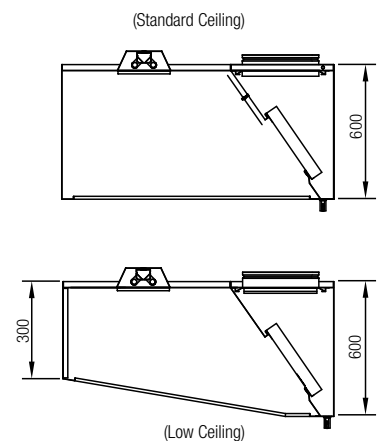
Overview:

Halton exhaust hoods are designed for use in commercial kitchens and show kitchens. Halton KVX hoods are proprietary kitchen exhaust hoods, that capture and extract the thermal plume through high efficiency cyclonic filters.

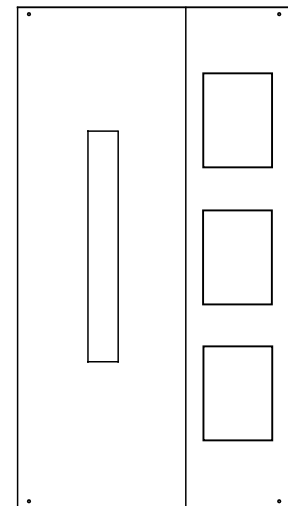
Features:

- **Compliant design:** Halton Exhaust hoods comply with AS1668.2 as proprietary kitchen exhaust hoods designed to proven and tested standards. (ASTM F1704)
- **Safe:** Halton's KSA filters are UL1046 certified to prevent the spread of flames from the kitchen into the exhaust plenum and duct.
- **Effective:** Halton's KSA filters use cyclonic action to efficiently separate contaminant particles. Independent tests verify that 95% of particles (10µm and above) are removed.
- **Low maintenance:** High efficiency removal of oil particulate keeps the exhaust duct and exhaust fan cleaner and reduces formation of combustible deposits.
- **Healthy:** The HACCP certified KSA filters are easily removed and washed on site in the pot-washer with hot soapy water to maintain kitchen hygiene.
- **Easy:** Halton Exhaust Hoods are easy to install with full perimeter hanging rails and power leads with plugs for quick connection to lighting circuits by installers.
- **Make-Up air:** Is not included in KVX hoods - The exhaust air needs to be replenished into the kitchen by natural ventilation or by mechanical supply through ceiling or wall diffusers to maintain a slight negative pressure kitchen in the kitchen.

Typical Section & Plan:



Recommended Combinations:



*For dimensions refer to project drawing

Notes:
1. The dimensions shown are for modular sections only. Longer hoods are assembled using a combination of separate modules to make delivery and on-site handling easier.

LOCATION OF CONNECTIONS (mm)
Number of exhaust and supply connections to be assessed in relation to the length of the modules and the calculation of airflow rates depending on the configuration of the cooking appliances.

Estimated Weight kg (h=600mm)

L/B	1100	1300	1500	1700	1900
1500	53	59	65	71	77
2000	71	77	83	89	95
2500	85	91	97	103	109
3000	101	107	113	119	125



Typical Specification Text:

Kitchen Exhaust Hood shall comply with AS1668.2 2012 as a proprietary hood. Constructed from 1.2 mm AISI 304 Satin finish with fully welded exhaust plenum. The hood shall be supplied complete with high efficiency UL classified multi-cyclone grease filters (KSA) and pressure measurement points, exhaust adjustment dampers, and flush light fittings to provide minimum 500 lux at the cooking surface. The size shall be as indicated in the drawings. The hood will be designed to save energy and capture efficiency will be calculated using convective heat calculation methods.

Due to continuous product research and development, the information contained herein is subject to change without notice.

Revision: 25/03/2021

www.stoddart.com.au

www.stoddart.co.nz