



UCJ - CAPTURE RAY™ VENTILATED CEILING

With Capture Jets and low-velocity makeup air



Overview:

Halton ventilated ceilings are designed for use in open commercial kitchens, production kitchens and show kitchens.

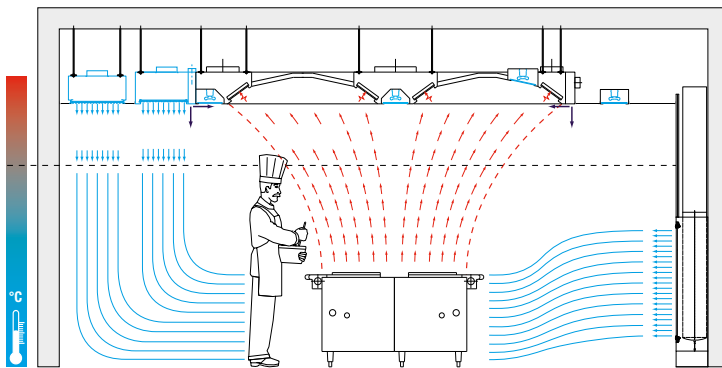
Halton UCJ hoods with Capture Jet™ efficiently capture, filter and extract the thermal plume. The combination of Capture Jet™ and UV Capture Ray™ captures and contains the heat load, filters the particles and chemically treats the vapours to minimise exhaust discharges.

Halton UCJ ventilated ceilings can be installed from 2300-3000 above floor level to provide a healthy open kitchen environment.

Features:

- **Compliant design:** Halton Capture Jet ventilated ceilings comply with AS1668.2 and are designed to proven and tested standards.
- **Efficient:** Capture Jet™ technology uses controlled angled and vertical air curtains to contain the exhaust air and move it toward the filters for efficient removal.
- **Effective:** Halton's FC combo filters efficiently separate contaminant particles and prepare the air for effective UV treatment.
- **Safe:** Halton's ventilated ceilings have enclosed exhaust plenums for hygiene and to reduce fire risk above the ceiling.
- **Healthy:** UCJ ventilated ceilings provide an open design kitchen work environment for improved health and wellbeing.
- **Low maintenance:** High efficiency removal of oil particulate keeps the exhaust duct and exhaust fan cleaner and reduces formation of combustible deposit land vapours.

Typical Section:



*For dimensions refer to project drawing

Capture Jet™ technology
Up to 40% reduction in airflow rates

High efficient twin FC Filter
Compliant with DIN 18869-5

Capture Ray™ technology
Neutralises grease vapours and particles

Halton Touch Screen
Unique and intuitive LCD user interface for all systems

Laminar flow supply
Better smoke capture and comfort

T.A.B.™ technology
Quick airflow rates measurement

Recommended Combinations:

M.A.R.V.E.L.
Extend airflow reduction to up to 64%

Halton Culinary Light
Kitchen specific LED based lighting system (KCJ Skyline)

Built-in Fire Suppression
Engineered & pre-installed from factory

Pollustop Exhaust air Treatment unit
PST



Typical Specification Text:

Kitchen Ventilated Ceiling's shall comply with AS1668.2 2012. Constructed from 1.2 mm AISI 304 Satin finish with fully welded exhaust plenum. The ceiling shall be supplied complete with UV Treatment & controller and with Capture Jet™ technology, high efficiency flame resistance filters, fully welded exhaust plenums with pressure measurement points, exhaust and supply air adjustment dampers, and flush light fittings to provide minimum 500 lux at the cooking surface. The size shall be as indicated in the drawings. The ceiling will be designed to save energy and capture efficiency will be calculated using convective heat calculations methods.

Due to continuous product research and development, the information contained herein is subject to change without notice.

Revision: 25/03/2021

www.stoddart.com.au
www.stoddart.co.nz