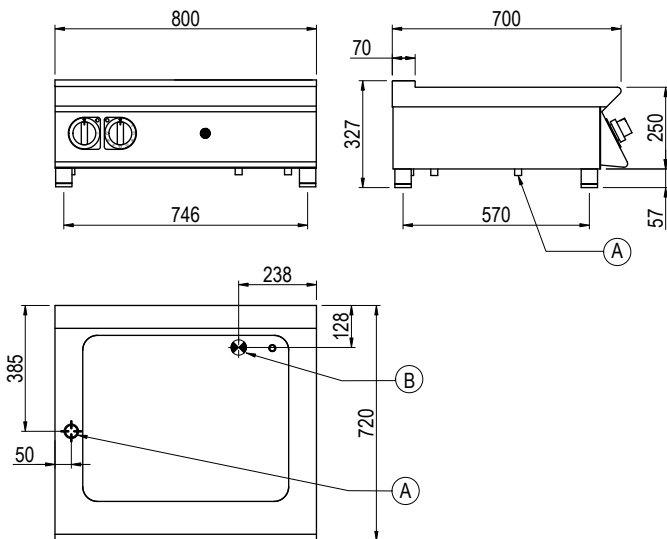




Product Information:

- Class leading, European style, professional quality and reliability since 1963
- 700 series, electric 2/1 GN countertop Bain Marie (2.4kW)
- Silicone heating pad external to the tank provides uniform heating, superior hygiene and ease of cleaning
- Temperature regulation via thermostat (30°C - 90°C)
- Indicator lights to monitor the correct operation of the appliance
- Manual water fill with tank sloped to solenoid valve operated drain
- Robust 304 grade stainless steel construction with rounded corners for improved cleaning
- 24-month warranty

General Drawing:



Specifications:

| | |
|-------------------------------|---|
| Model | BM740TT |
| W x D x H (mm) | 800 x 720 x 327 |
| Weight | 75kg |
| Capacity | 1 x 2/1 150mm GN Pans |
| Packed Dimensions (mm) | 845 x 825 x 570 |
| Packed Weight | 85kg |
| Electrical Connection | 1Ø + N + E 240VAC / 50Hz / 2.4kW 10A plug & lead fitted |

Legend:

- A Electrical Connection
- B Drain Connection 1/2" BSP

