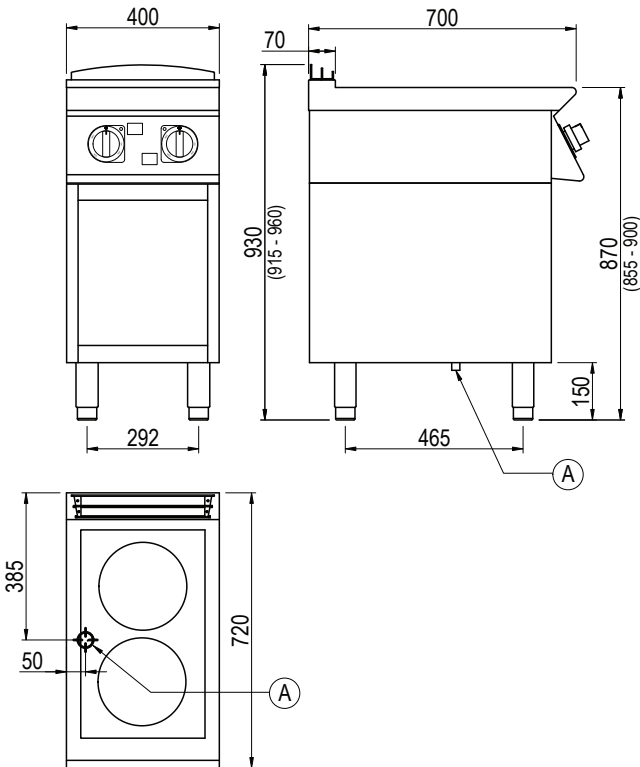




**Product Information:**

- Class leading, European style, professional quality and reliability since 1963
- 700 series, 6mm, ceramic glass induction boiling top, with two independent cooking zones (2 x 3.8kW)
- Automatic heat generation when induction specific pan is placed on the cooktop
- Automatic shut off when pan is removed from the cooktop
- Precise heat transfer for shorter cook times and enhanced operator safety and comfort
- Independent temperature regulation via 6 position selectors
- LED lights to monitor the correct operation of the appliance
- Robust 304 grade stainless steel construction with rounded corners for improved cleaning
- Open base with optional door available (SPGI.2016437)
- Height adjustable stainless steel feet for a 900mm working height
- 24-month warranty

**General Drawing:**



**Specifications:**

<b>Model</b>	CI720GT
<b>W x D x H (mm)</b>	400 x 720 x 930
<b>Weight</b>	55kg
<b>Cooking Zone</b>	2 x Ø230mm
<b>Packed Dimensions (mm)</b>	450 x 825 x 1200
<b>Packed Weight (mm)</b>	60kg
<b>Electrical Connection</b>	3Ø + N + E 415VAC / 50Hz / 7.6kW

**Legend:**

A Electrical Connection

Due to continuous product research and development, the information contained herein is subject to change without notice.

Revision: 01 - 18/01/2022 - A

[www.stoddart.com.au](http://www.stoddart.com.au)

[www.stoddart.co.nz](http://www.stoddart.co.nz)

