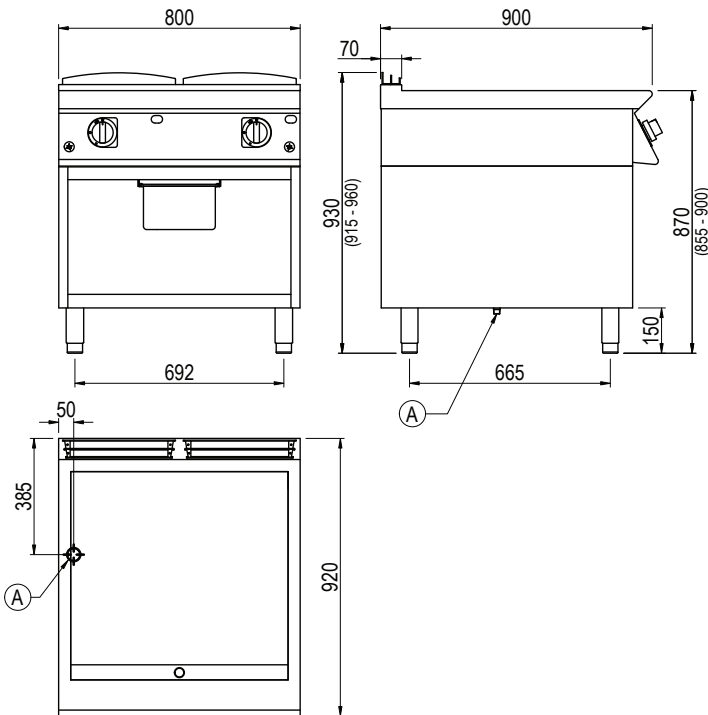




**Product Information:**

- Class leading, European style, professional quality and reliability since 1963
- 900 series, gas frytop with 12mm smooth mild steel plate (64.8 MJ/h) (also available in 12mm ribbed mild steel plate)
- Piezo ignition burners with flame failure device and pilot burner
- Temperature regulation via variable power flame control
- Robust 304 grade stainless steel construction with rounded corners for improved cleaning
- Hermetically sealed, pressed work surface with raised edges to protect from overflow
- Removable 1/2 GN grease tray
- Open base with optional doors available (SPGI.2016437)
- Height adjustable stainless steel feet for a 900mm working height
- 24-month warranty

**General Drawing:**



**Specifications:**

|                                  |                   |                      |
|----------------------------------|-------------------|----------------------|
| Model - Smooth                   | FLG941GFT         |                      |
| Model - Ribbed                   | FRG941GFT         |                      |
| W x D x H (mm)                   | 800 x 920 x 930   |                      |
| Weight                           | 175kg             |                      |
| Cooktop (mm)                     | 720 x 640         |                      |
| Packed Dimensions (mm)           | 845 x 1025 x 1200 |                      |
| Packed Weight (mm)               | 187kg             |                      |
|                                  | <b>Natural</b>    | <b>Universal LPG</b> |
| Gas Connection                   | 1/2" BSP          | 1/2" BSP             |
| Minimum Normal Test Gas Pressure | 1.3 kPa           | 2.75 kPa             |
| Maximum Normal Test Gas Pressure | 3.5 kPa           | 3.5 kPa              |
| Nominal Test Point Pressure      | 1.0 kPa           | 2.65 kPa             |
| Total Nominal Gas Consumption    | 64.8 MJ/h         | 64.8 MJ/h            |

**Note:** It is the responsibility of the installing gas plumber to ensure correct supply and connection sustaining appropriate pressure, when all installed gas appliances are operating at maximum.

**Legend:**

A Gas Connection