

**SPECIFICATION, INSTALLATION
AND OPERATION MANUAL**
READ ALL INSTRUCTIONS BEFORE USE



Models:
AXR.SW.1025 / AXR.SW.1740 / AXR.SW.2450

Page Intentionally Left Blank

1.0 Introduction	
1.1 Your New Airex Product	3
1.2 Australia and New Zealand Warranty	4
1.2.1 Warranty Period	
1.2.2 Warranty Registration	
1.3 General Precautions	5
1.4 Product Overview.	6
2.0 Installation	
2.1 Setting Up	7
2.1.1 Handling	
2.1.2 Unpacking	
2.1.3 Positioning	
2.2 Refrigeration	8
2.3 Plumbing Connections	8
2.4 Electrical Connection	8
2.4.1 Information	
2.5 Adjustable Shelves	8
2.5.1 Shelf Installation	
3.0 Specification	
3.1 General Drawing	9
3.1.1 AXR.SW.1025	
3.1.2 AXR.SW.1740	
3.1.3 AXR.SW.2450	
4.0 Operation	
4.1 Initial Start-up & Operation	11
4.1.1 Controller	
4.1.2 Initial Start Up	
4.1.3 Food Temperature	
4.1.4 Loading Restrictions	
4.1.5 Loading and Display - Cold Well	
4.1.6 Around the Cold Well	
4.1.7 Defrost Cycle - Automatic	
4.1.8 Defrost Cycle - Manual	
4.1.9 After Service - Information	
4.1.10 After Service - Storage	
4.2 Temperature Adjustment	13

5.0 Cleaning and Maintenance	
5.1 Cleaning	14
5.1.1 Cleaning Schedule	
5.1.2 Materials Required	
5.1.3 General Information	
5.1.4 Corrosion Protection	
5.1.5 Surface Finish	
5.1.6 Refrigerator	
5.1.7 Cold Well (Daily)	
5.1.8 Door Seal	
5.1.9 External Surfaces	
5.1.10 Ventilation Panels	
5.1.11 Condenser	
5.2 Troubleshooting	16
5.2.1 Troubleshooting Procedures	
5.2.2 Alarm Signals	
5.3 Disposal	17

1.1 Your New Airex Product

Thank you for choosing this quality Airex product.

All Airex products are designed and manufactured to meet the needs of food service professionals. By caring for and maintaining your new Airex product in accordance with these instructions, will provide many years of reliable service.

Stoddart is a wholly Australian owned company, which manufactures and/or distributes a comprehensive range of food service equipment for kitchens, food preparation and presentation. Stoddart products are manufactured and/or engineered in Australia to provide excellent results whilst offering value-for-money, ease-of-use and reliability.

**Carefully read this instruction booklet, as it contains important advice for safe installation, operation and maintenance.
Keep this booklet on hand in a safe place for future reference by other operators or users.**

Disclaimer

The manufacturer and distributor cannot be held responsible or liable for any injuries or damages of any kind occurred to persons, units or others, due to abuse and misuse of this unit in regards to installation, removal, operation, servicing or maintenance, or lack of conformity with the instructions indicated in this documentation.

All units made by the manufacturer are delivered assembled, where possible, and ready to install. Any installation, removal, servicing, maintenance and access or removal of any parts, panels or safety barriers that is not permitted, does not comply in accordance to this documentation, or not performed by a **TRAINED AND AUTHORISED SPECIALIST** will result in the **IMMEDIATE LOSS OF THE WARRANTY.**

The manufacturer cannot be held responsible or liable for any unauthorised modifications or repairs. All modifications or repairs must be approved by the manufacturer in writing before initiating. All modifications or repairs performed to this unit must be performed at all times by a **TRAINED AND AUTHORISED SPECIALIST.**

**Stoddart design, manufacture and distribute Food Service Equipment (appliances) exclusively for the commercial market.
This appliance is not designed nor intended for household or domestic use and must not be used for this purpose.**

This product is intended for commercial use, and in line with Australian electrical safety standards the following warnings are provided:

- This product is not intended for use by persons (including children) with reduced physical, sensory or mental capabilities, or lack of experience and knowledge, unless they have been given supervision or instruction concerning the use of the product by a person responsible for their safety. Children should be supervised to ensure that they do not play with the product
- If the supply cord is damaged, it must be replaced by the manufacturer, its service agent or similarly qualified persons in order to avoid a hazard



Warranty & Registration

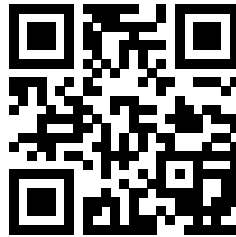
1.2 Australia and New Zealand Warranty

1.2.1 Warranty Period

All Stoddart manufactured and distributed products are covered by Stoddart's standard Australia and New Zealand Product Warranty (minimum 12 month on-site parts and labour, terms and conditions apply). Further to this standard warranty, certain products have access to an extended warranty. Full terms, conditions and exclusions can be found using the below Link/QR code.

1.2.2 Warranty Registration

To register your new product, Follow the below Link/QR code.



www.stoddart.com.au/warranty-information

1.3 General Precautions

When using any electrical unit, safety precautions must always be observed.

Our units have been designed for high performance. Therefore, the unit must be used exclusively for the purpose for which it has been designed.

- All units **MUST** be installed according to the procedures stated in the installation section of this manual
- In the case of new personnel, training is to be provided before operating the equipment
- **DO NOT** use this unit for any other purpose than its intended use
- **DO NOT** store explosive substances such as aerosol cans with a flammable propellant in or near this unit
- Keep fingers out of “pinch point” areas
- Unit is not waterproof **DO NOT** use jet sprays, hoses or pour water over/on the exterior of the unit
- Only use this unit with voltage specified on the rating label
- **DO NOT** remove any cover panels that may be on the unit
- **DO NOT** use sharp objects to activate controls
- **DO NOT** use sharp objects to remove ice from the unit
- If any fault is detected, refer to troubleshooting
- The manufacturer declines any liability for damages to persons and/or things due to an improper/wrong and/or unreasonable use of the machine
- Only specifically trained/qualified Technicians (Stoddart, one of our service agents, or a similarly qualified persons) should carry out any and all repairs, maintenance and services

1.4 Product Overview

	IMPORTANT
	This unit is not designed to cool down hot/warm product. It only maintains the product at the controlled 2°C - 5°C
	CAUTION
	This unit includes refrigeration components. Cold surfaces can burn DO NOT touch these surfaces



Due to continuous product research and development, the information contained herein is subject to change without notice.

2.1 Setting Up

	WARNING
	<p>Improper installation, adjustments, alterations, service or maintenance can cause property damage, injury or death.</p>

2.1.1 Handling

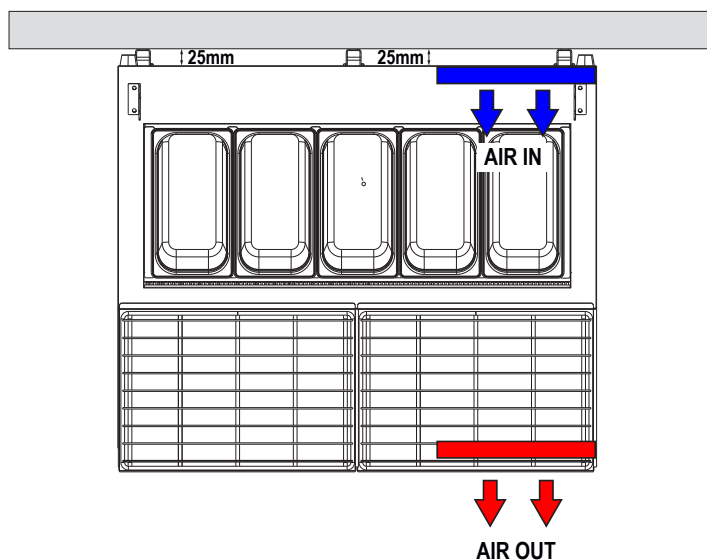
- Use suitable means to move the unit;
 - For smaller items use two people
 - For large items a fork lift, pallet trolley or similar (the forks should reach completely beneath the pallet)

2.1.2 Unpacking

- Check the unit for damage before and after unpacking. If unit is damaged, contact the distributor and manufacturer
- Should any item have physical damage, report the details to the freight company and to the agent responsible for the dispatch within seven (7) days of receipt. No claims will be accepted or processed after this period
- The unit is supplied fully assembled
- Remove all protective plastic film, tapes, ties and packers before installing and operating
- Clean off any remaining residue from the interior/exterior of the unit using a clean cloth dampened with warm soapy water

2.1.3 Positioning

- When moving the unit, ensure the cabinet is upright at all times
- When positioning the unit, avoid direct sunlight, warm drafts, heated areas, air-conditioning vents, or areas where airflows can affect the normal operating temperature of the unit
- Do not position the unit in:
 - Wet areas
 - Near heat and/or steam sources
 - Near flammable substances
- Ensure the unit is positioned on a level surface
- Allow a minimum 25mm gap from the 'air in' vent
- After positioning the unit, allow the refrigerator to settle for 2 hours before switching ON



- Please consult national and local standards to ensure that your unit is positioned in accordance with any existing requirement

2.2 Refrigeration

The system is fully operational as soon as it leaves the factory. No addition setup is required.

2.3 Plumbing Connections

The unit is supplied with a condensate burn-off tray. No additional drainage or plumbing is required.

2.4 Electrical Connection

2.4.1 Information

	WARNING
	<p>This unit must be installed in accordance with AS/NZS 60335.1</p> <p>Some procedures in this manual require the power to the equipment to be turned off and isolated. Turn the power OFF at the power point and unplug the power supply lead by the plug body. If the power point is not readily accessible turn the equipment off at the isolation switch or the circuit breaker in the switchboard. Attach a yellow “CAUTION-DO NOT OPERATE” tag. This must be performed where relevant unless the procedures specify otherwise.</p> <p>FAILURE TO DO SO MAY RESULT IN ELECTRIC SHOCK.</p>

Single Phase Units:

- Supplied and fitted with an appropriately rated plug and lead, indicated as:
 - 10A plug & lead fitted

Notes:

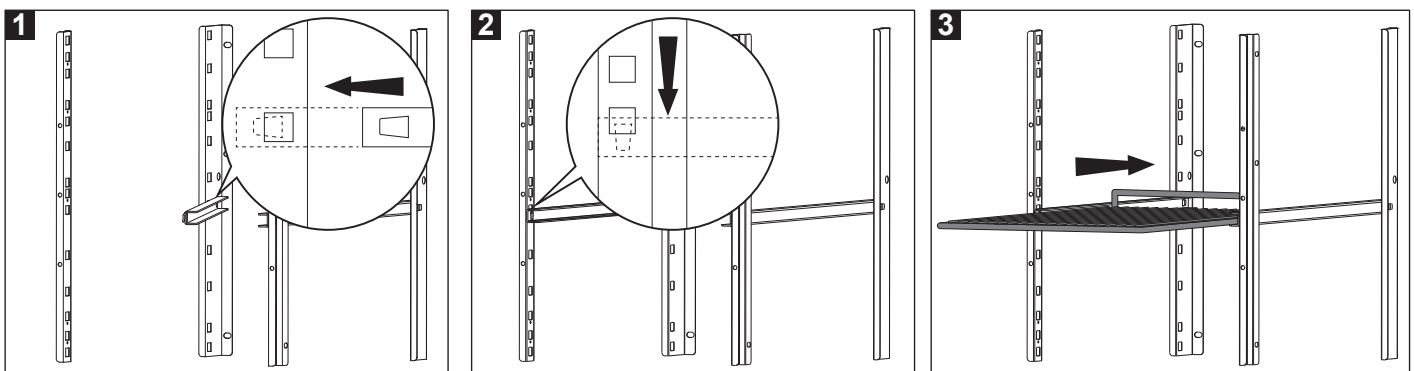
- If the supply cord is damaged, it must be replaced by the manufacturer, its service agent or similarly qualified persons in order to avoid a hazard. Please contact Stoddart for parts and we will advise how to do this in order to avoid any electrical hazard
- The power cable should be dry and/or isolated from moisture or water

2.5 Adjustable Shelves

2.5.1 Shelf Installation

Note: Do not use pliers when installing shelf clips

1. Insert the back clip of the tray slide into the upright rail
2. Insert the front clip of the tray slide into the upright rail, then pull downward. Ensure both tray slides (two slides per shelf) are positioned at the same height
3. Slide the shelf into position

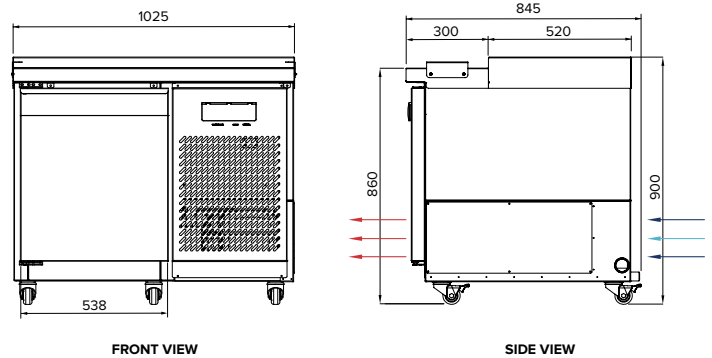


3.1 General Drawing

3.1.1 AXR.SW.1025

Specifications

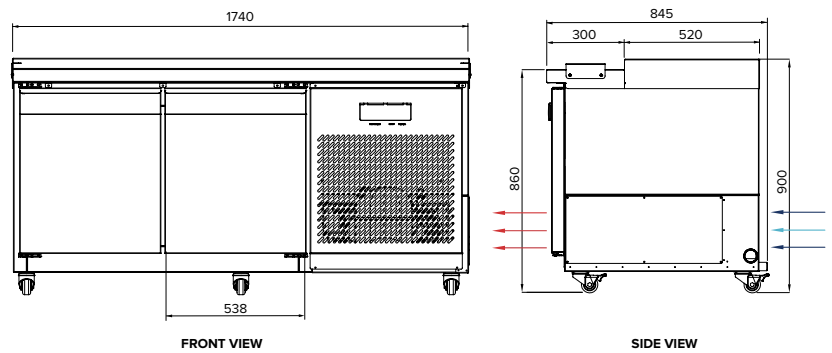
Model	AXR.SW.1025
W x D x H (mm)	1025 x 845 x 900
Weight	112kg
Packed Dimensions (mm)	1075 x 880 x 965
Packed Weight	122kg
Capacity	5 x 1/3GN
Operation	2°C - 5°C
Refrigerant	R134A
Max Ambient	40°C
Power	1.56kW 220 - 240V 10A plug & lead



3.1.2 AXR.SW.1740

Specifications

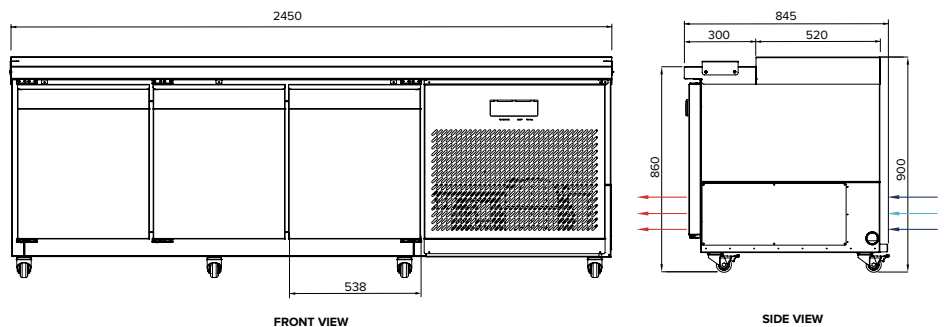
Model	AXR.SW.1740
W x D x H (mm)	1740 x 845 x 900
Weight	175kg
Packed Dimensions (mm)	1790 x 880 x 965
Packed Weight	195kg
Capacity	9 x 1/3GN
Operation	2°C - 5°C
Refrigerant	R134A
Max Ambient	40°C
Power	1.73kW 220 - 240V 10A plug & lead



3.1.3 AXR.SW.2450

Specifications

Model	AXR.SW.2450
W x D x H (mm)	2450 x 845 x 900
Weight	226kg
Packed Dimensions (mm)	2500 x 880 x 965
Packed Weight	256kg
Capacity	13 x 1/3GN
Operation	2°C - 5°C
Refrigerant	R134A
Max Ambient	40°C
Power	1.77kW 220 - 240V 10A plug & lead

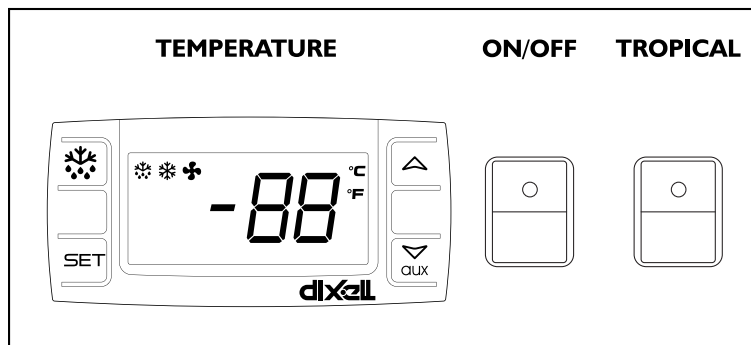


Page Intentionally Left Blank

4.1 Initial Start-up & Operation

	IMPORTANT
	<p>This unit is not designed to cool down hot/warm product. It only maintains the product at the controlled 2°C - 5°C</p>

4.1.1 Controller



4.1.2 Initial Start Up

- Before switching ON the unit, ensure the unit is installed correctly
- Turn the unit ON. Once switched ON, check that the air is flowing within the unit, close the doors and lids
- After 45 minutes check the cabinet temperature has reached 2°C - 5°C (with lids closed)
- Inspect door frames for condensation. If condensation is present, turn on the TROPICAL switch (under door heating)
- Leave the unit to operate for 1-2 hours to remove any fumes or odours
- Clean the whole unit, including the shelves, before placing in product

4.1.3 Food Temperature

- Ensure the doors and lids are CLOSED when not loading product, to bring the unit up to and maintain the set temperature (2°C - 5°C)
- Do NOT place warm/hot items in the unit to chill, placing warm/hot items in the unit can lead to food spoilage and possibly food poisoning

4.1.4 Loading Restrictions

- Air vents must NOT be covered
- There should NOT be any overhang of products on the shelves
- Shelves are only designed to hold one layer of product. Overloading can break/damage the shelves
- Remove some products if the shelves are flexing or bending
- Shelves should be adjusted to allow air space around all the product for even refrigeration and efficient operation of the Refrigerator. Leave an air space of at least 50mm above the product for air circulation

4.1.5 Loading and Display - Cold Well

- Do not overload the Cold Well, product must not overfill the GN pans
- Food must be below 5°C when filling the GN pans
- Food must be stored/displayed in approved containers
- Night lids must be kept on at all times when not in use (i.e. overnight), except when serving

4.1.6 Around the Cold Well

- Ensure the Cold Well and benches around the unit are cleaned continuously to prevent contaminants
- Ensure all liquids on or around the unit are cleaned up immediately

4.1.7 Defrost Cycle - Automatic

- The system has an automatic defrost system which improves the energy efficiency of the unit and minimises temperature fluctuations
- After the unit is first switched ON, the first defrost cycle will occur automatically after 6 hours.
If the unit is NOT turned OFF, the unit will defrost automatically 4 times per day or every 6 hours
- If air is not circulating properly, a manual defrost cycle can be made. Normal automatic defrost cycles will still occur every 6 hours even if a manual cycle has been run in between cycles. Check the electronic controller section for more information
- The defrost cycle terminates when the temperature of the evaporator coil rises to 6°C or after 30 minutes. Products will remain refrigerated during defrost cycle if the doors remain closed
- For changing of defrost cycle settings, contact Stoddart or an approved service technician

4.1.8 Defrost Cycle - Manual

The unit may need to be manually defrosted:

1. Press and hold the DEFROST ❄️ button for 5 seconds
2. The defrost cycle will start immediately and the Defrost LED illuminates. The defrost will last a maximum of 30 minutes

4.1.9 After Service - Information

- The unit should NOT be turned OFF after service
- The unit will maintain set temperature after service
- Switch OFF lights and door heaters to minimise power. Ensure all doors and lids are closed

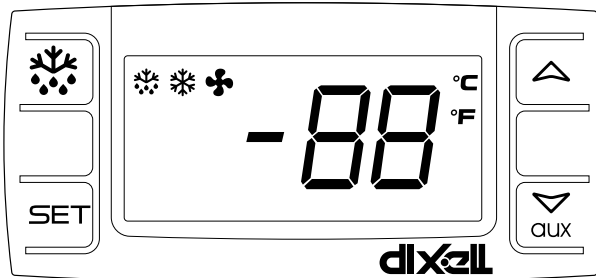
4.1.10 After Service - Storage

- Products can either be stored in the unit or placed in night storage
- All storage of product should comply with local health standards and regulations

4.2 Temperature Adjustment

- The temperature range of this unit is 2°C - 5°C
- Different modes require different temperatures
- The temperature probe only measures the temperature of the water/air, NOT the food temperature

DIXEL CONTROL:



DISPLAY:

LED	MODE	DESCRIPTION
❄️	On	Compressor enabled
	Flashing	Anti short cycle delay enabled (AC parameter)
❄️	On	Defrost in progress
	Flashing	Dripping in progress
🌀	On	Fans output enabled
	Flashing	Fans delay after defrost
°C	On	Measurement unit
	Flashing	Programming mode
°F	On	Measurement unit
	Flashing	Programming mode

KEY FUNCTIONS:

SET	To display target set point; in programming mode it selects a parameter or confirm an operation.
❄️ (DEF)	To start a manual defrost push and hold the defrost button ❄️ for 2 seconds.
⬆️ (UP)	To see the maximum stored temperature; in programming mode it browses the parameter codes or increases the displayed value.
⬇️ (DOWN)	To see the minimum stored temperature; in programming mode it browses the parameter codes or increases the displayed value.

KEY COMBINATIONS:

⬆️ + ⬇️	To lock and unlock the keyboard.
SET + ⬇️	To enter in programming mode.
SET + ⬆️	To return to the room temperature display.

HOW TO SEE THE SET POINT:

1. Push and immediately release the **SET** key, the display will show the set point value
2. Push and immediately release the **SET** key or wait 5 seconds to display the probe value again

HOW TO SEE THE SET POINT:

1. Push the **SET** key for more than 3 seconds to change the set point value
2. The value of the set point will be displayed and the "°C" LED starts blinking
3. To change the set point value push the ⬆️ or ⬇️ arrows within 10 seconds
4. To store the new set point value push the **SET** key again or wait 10 seconds

HOW TO CHANGE A PARAMETER VALUE:

1. Enter the Programming mode by pressing the **SET** + ⬇️ keys for 3s (°C LED starts blinking)
2. Select the required parameter. Press the **SET** key to display its value
3. Use ⬆️ or ⬇️ to change the parameter value
4. Press SET to store the new parameter value and move to the following parameter
5. To Exit: Press **SET** + ⬆️ or wait 15 seconds without pressing any keys

Note: The set value is stored even when the procedure is exited by waiting the time-out to expire.

Note: To enter in programming mode. (Contact the Stoddart Service Department)

HOW TO LOCK/UNLOCK THE KEYBOARD:

1. To lock the keyboard press and hold the ⬆️ + ⬇️ for 3 seconds. The "OF" message will be displayed
2. To unlock the keyboard press and hold the ⬆️ + ⬇️ for 3 seconds. The "ON" message will be displayed

5.1 Cleaning

5.1.1 Cleaning Schedule

- Regular cleaning is recommended for the unit. This will help to maintain and prolong the efficiency of the unit

5.1.2 Materials Required

- Stainless Cleaner
- Non Abrasive Cleaning pad
- Clean Sanitised Cloth
- Paper Towel
- Warm Soapy Water
- Appropriate PPE (Personal Protective Equipment)

5.1.3 General Information

- Cleaning is recommended for health and safety purposes and to prolong the life of the unit
- DO NOT** use abrasive pads or cleaners on the stainless steel or any other metal parts of the unit
- DO NOT** use industrial chemical cleaners, flammable cleaners, caustic based cleaners or bleaches and bleaching agents, as many will damage the metals and plastics used on this unit
- DO NOT** remove any screws and/or panels for cleaning (unless directed)
- This unit is **NOT** waterproof, **DO NOT** hose, **DO NOT** pour water directly onto the unit, **DO NOT** immerse in water

5.1.4 Corrosion Protection

- Stainless steel exhibits good resistance to corrosion however, if not properly maintained stainless steel can rust and/or corrode
- Any sign of mild rust and/or corrosion should be thoroughly cleaned with warm soapy water and dried as soon as possible
- NEVER use abrasive pads or cleaners for cleaning
- All metal surfaces should be checked while cleaning for damage, scuffs or scrapes as these can lead to rust and further damage to the product
- Mild rust and/or corrosion can be treated with a commercial cleaning agent that contains citric/oxalic/nitric/phosphoric acid. **DO NOT** use cleaning agents with chlorides or other harsh chemicals as this can cause corrosion. After treatment, wash with warm (not hot) soapy water and dry thoroughly
- Thoroughly wipe the surfaces dry after cleaning. **DO NOT** let water pool on the unit. Check crevices and folds for pooling
- When using, ensure all liquids and moisture is cleaned up straight away. Food liquids such as juices from vegetables and fruits should not be left on preparation surfaces
- DO NOT** leave items on the stainless steel such as cutting boards, rubber mats and bottles

5.1.5 Surface Finish

- To protect the polished surface of the stainless steel, it should be dried using a clean dry soft cloth. A light oil can be applied to enhance the stainless steel surface, using a clean cloth apply the oil in the same direction as grained polished finish
- Some commercial stainless steel cleaners can leave residue or film on the metal; this may trap fine particles of food on the surface, thus deeming the surfaces not food safe

	<p style="text-align: center;">IMPORTANT</p> <p>Threaded fasteners can loosen in service. Regular inspection and adjustment should be carried out as required</p>		<p style="text-align: center;">WARNING</p> <p>This unit is NOT waterproof, DO NOT hose. DO NOT pour water directly onto the unit. DO NOT immerse in water</p>
	<p style="text-align: center;">IMPORTANT</p> <p>Some commercial stainless steel cleaners leave residue or film on the metal that may entrap fine particles of food, deeming the surface not FOOD SAFE</p>		<p style="text-align: center;">WARNING</p> <p>This unit includes refrigeration components. Cold surfaces can burn DO NOT touch these surfaces</p>

5.1.6 Refrigerator

1. Isolate the unit from the power supply
2. Remove shelves and wash separately in a dishwasher or kitchen sink, thoroughly wipe dry after cleaning
3. Using a good quality nylon brush remove crumbs and small food items
4. Clean using a clean cloth dampened (not wet) with clean warm soapy water until all soil has been removed
5. Thoroughly wipe dry with a soft cloth after cleaning, do NOT allow to air dry. Do NOT let water pool, check crevices and folds

5.1.7 Cold Well (Daily)

1. Remove all night lids, GN pans and air panels and wash separately, using clean warm soapy water until all soil has been removed
2. Clean the cold well using a clean cloth dampened (not wet) with clean warm soapy water until all soil has been removed
3. Re-insert the air panels and night lids

5.1.8 Door Seal

1. Clean the door seal using a clean cloth dampened (not wet) with warm water

5.1.9 External Surfaces

1. Using a clean cloth dampened (not wet) with clean warm soapy water until any grime has been removed
2. Using a clean sanitised cloth, thoroughly wipe the stainless steel and metal parts dry. Do NOT let water pool on the unit. Check crevices and folds

5.1.10 Ventilation Panels

1. Use a vacuum and/or brush to remove dust and debris from all ventilation panels
2. Do NOT use water or a hose to remove dust or debris

5.1.11 Condenser

Periodic cleaning of the condenser can extend the life of the unit. This must be done by a qualified service technician. Contact the Stoddart service department

5.2 Troubleshooting

5.2.1 Troubleshooting Procedures

- If any faults/issues occur with the unit, follow the below troubleshooting procedures
- If the troubleshooting procedures do not correct the problem, contact the Stoddart Service Department

	WARNING
	<p>Technician tasks are only to be completed by qualified service people. Check faults before calling service technician.</p>

Problem	Possible Causes	Possible Corrective Action
Unit does not operate/start	The mains isolating switch on the wall, circuit breaker or fuses are OFF at the power board	Turn isolating switch, circuit breaker or fuses ON
	The main switch of the unit is OFF	Turn the main switch ON
	Condenser unit is OFF	Turn ON condenser unit
	Electrical wiring damaged	Contact Stoddart service department
	Condenser unit broken	Contact Stoddart service department
	Faulty electronic controller	Contact Stoddart service department
Unit is too warm	Ambient air entering the units	Door not closing / sealing
		Position unit away from drafts / airconditioning / ventilation vents
		GN pans in coldwell are over filled, remove some product from GN pan
	Warm items in unit	"Pre-chill / Remove items / Wait 30min for items to chill"
	Air not circulating	Remove some items / Clear air vents / Grills
	Too many items in the unit (overloaded)	Remove some items
	Items obstructing air vents / grills	Re-position items
	Defrost cycle is ON / just finished	Wait 30min for cabinet to cool
	Evaporator coil fins blocked	Clean fins / Run defrost cycle. Contact Stoddart service department if problem persists
	Evaporator coil iced up	Contact Stoddart service department
	Temperature probe broken / disabled	Contact Stoddart service department
	Set point temperature too high	Contact Stoddart service department
	Evaporator fans not operating	Contact Stoddart service department
	Undercharge	Contact Stoddart service department
Faulty electronic controller	Contact Stoddart service department	
Direct sunlight	Block sunlight, window shades	
Unit is too cold	Temperature probe broken/disabled	Contact Stoddart service department
	Faulty electronic controller	Contact Stoddart service department
	Set point temperature too low	Contact Stoddart service department

5.2.2 Alarm Signals

Display	Cause	Outputs
P1	Room probe failure	Compressor output according to "Cy" and "Cn"
P2	Evaporator probe failure	Defrost end is timed
HA	Maximum temp. alarm	Outputs unchanged
LA	Minimum temp. alarm	Outputs unchanged

5.3 Disposal

If the appliance is no longer of use, please dispose in an environmentally correct way.

Contact a qualified service technician:

- To recover all refrigerant
- To remove the compressor or remove the oil from the compressor

The distributor / retailer can contact their local metal recycling centre to collect the remaining cabinet, shelves, etc.

There may be special requirements or conditions. Information on the disposal of refrigeration appliances can be obtained from:

- Your supplier
- Government authorities (The local council, Ministry of the Environment, etc.)



Discarded electric appliances are recyclable and should not be discarded in the domestic waste! Please actively support us in conserving resources and protecting the environment by returning this appliance to the collection centres (if available).



Dispose of packaging in accordance to applicable legal regulations.

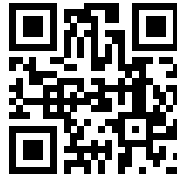
Australia

Service / Spare Parts

Tel: 1300 307 289

Email: service@stoddart.com.au

Email: spares@stoddart.com.au



Service Request

www.stoddart.com.au

Australian Business Number: 16009690251

Sales

Tel: 1300 79 1954

Email: sales@stoddart.com.au

New Zealand

Service / Spare Parts

Tel: 0800 935 714

Email: service@stoddart.co.nz

Email: spares@stoddart.co.nz



Service Request

www.stoddart.co.nz

New Zealand Business Number: 6837694

Sales / Spare Parts

Tel: 0800 79 1954

Email: sales@stoddart.co.nz

Email: spares@stoddart.co.nz

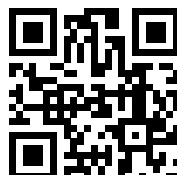
International

Service / Spare Parts

Tel: +617 3440 7600

Email: service@stoddart.com.au

Email: spares@stoddart.com.au



Service Request

www.stoddart.com.au

Sales

Tel: +617 3440 7600

Email: sales@stoddart.com.au