

MS.GRA

Glass Rack

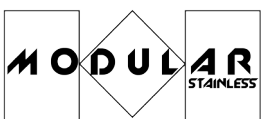
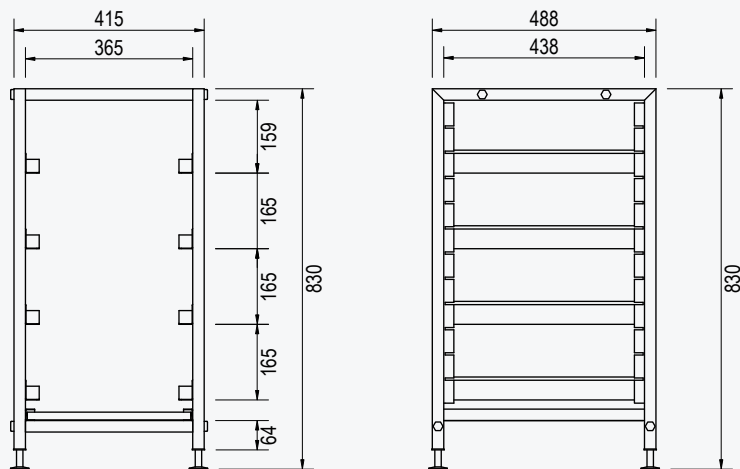
features

- Robust 304 grade stainless steel construction (1.2mm)
- Height adjustable stainless steel rack slides (max capacity - 4 x 14"x14" or 4 x 14"x17" baskets)
- Stainless steel square tube legs (Ø25mm) with height adjustable stainless steel feet
- Removable catchment tray
- Supplied flat packed ready for assembly

specifications

Model	W x D x H mm	Weight
MS.GRA	415 x 488 x 830	8kg

general drawing



www.stoddart.co.nz
 Due to continuous product research and development,
 the information contained herein is subject to change without notice.

