

Contact Grill W.CT8 / W.CT8R

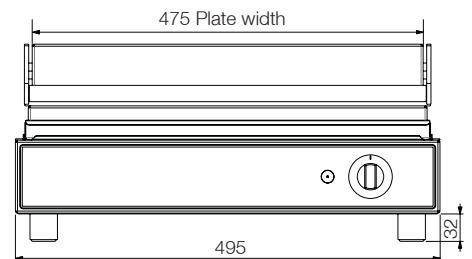
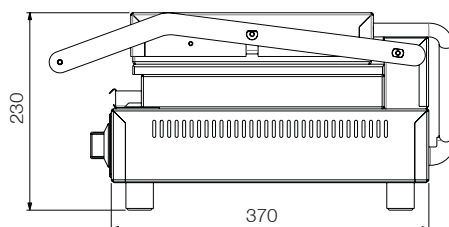
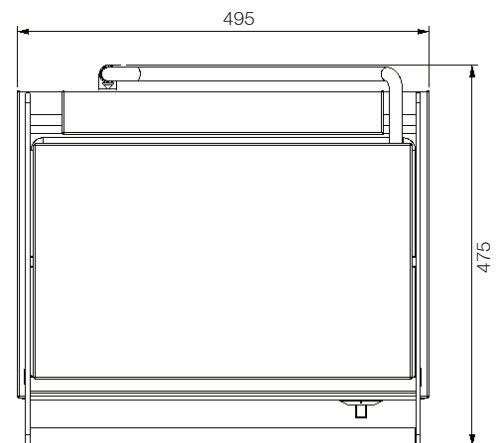


Product Information:

- Spring balanced upper plate limits crushing of product
- Smooth finish aluminium plates or ribbed top plate
- Removable grease tray to front
- Thermostat control, 50°C- 250°C
- Complete stainless steel body & arms
- Easy clean design with fully enclosed lifting assembly
- 12mm aluminium plate

Specifications:

Model	W.CT8 W.CT8R
Height	230mm
Width	495mm
Depth	475mm
Power	2.2kW
	10A plug & lead fitted
Capacity	6-8 slices



Due to continuous product research and development, the information contained herein is subject to change without notice.

Revision: C - 25/05/2022 - 02

www.stoddart.com.au

www.stoddart.co.nz