

Cold Food Displays - Self Serve

W.CFSSxx



Product Information:

- Unique front and rear acrylic lift-up doors can be manually locked into upright position to act as sneeze guards
- Designed for a maximum of 3 hours continuous use with doors open. Doors must be closed between service
- Unique blown air design passes a cold air blanket over the top of the food. The cold air then returns under and around the food pans creating an even cooling effect
- Features a full length evaporator coil. Adjustable digital controller designed to hold temperature accurately between 2°C and 5°C
- Top mounted interior lighting
- Designed to operate at ambient temperatures up to 32°C
- Undermount refrigeration unit supplied with drain hose from well for connection to waste
- Insulated tank with double skin stainless steel construction
- Takes gastronorm pans up to 100mm deep (sold separately)
- Other pan sizes and combinations available
- Wide range of functional accessories available

Note:

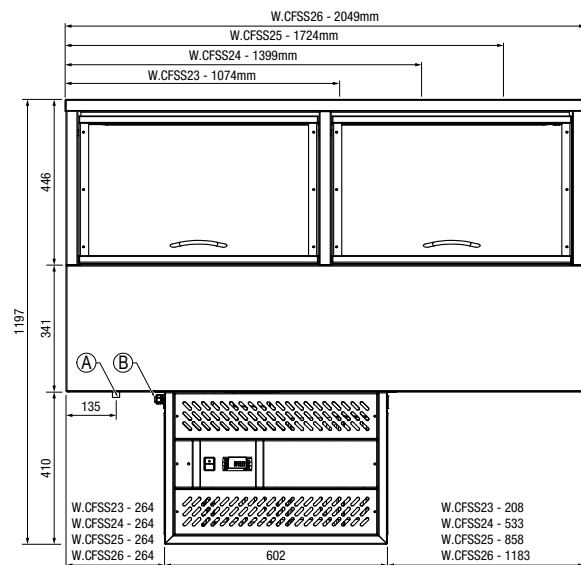
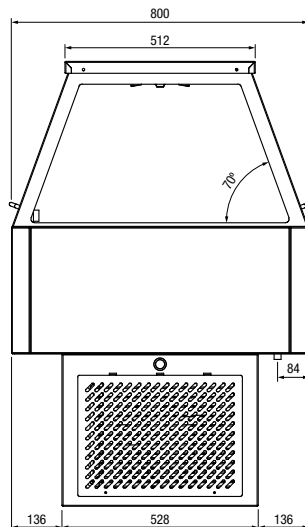
- All Woodson units are designed for use with Woodson pans. Other suppliers pans may fit, however this is not guaranteed
- Cabinets require ventilation for built in cold displays

Specifications

Model	W.CFSS23	W.CFSS24	W.CFSS25	W.CFSS26
Height	787mm	787mm	787mm	787mm
Width	1074mm	1399mm	1724mm	2049mm
Depth	800mm	800mm	800mm	800mm
Power	240VAC / 50Hz / 0.94kW (10A plug & lead fitted)	240VAC / 50Hz / 0.99kW (10A plug & lead fitted)	240VAC / 50Hz / 1.08kW (10A plug & lead fitted)	240VAC / 50Hz / 1.08kW (10A plug & lead fitted)
Gas	R507A	R507A	R507A	R507A

Legend

- A Drain Connection
- B Electrical Connection



Due to continuous product research and development, the information contained herein is subject to change without notice.

Revision: F - 15/07/2022 - 04

www.stoddart.com.au
www.stoddart.co.nz

