

Bun Conveyor Oven W.CVT.BUN.25



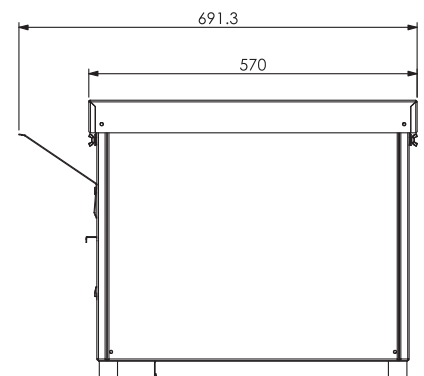
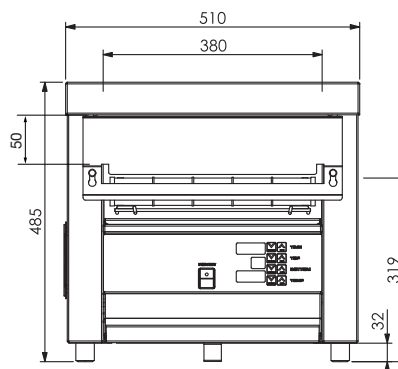
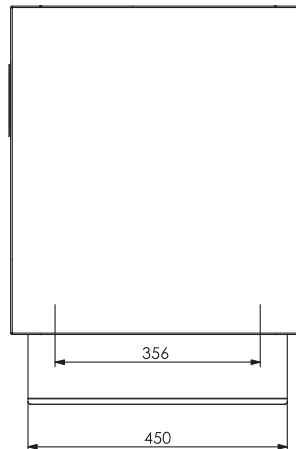
Product Information:

- Ideal for hamburger buns
- Touchpad “set and forget” control system
- Temperature regulation via thermostat (50°C - 350°C)
- Independent top and bottom element control
- Variable speed belt control
- Front loading and front exiting unit
- Robust stainless steel construction
- Supplied with 2 metre lead for appropriate hard wiring on site by a qualified electrician
- Optional factory fitted plug available (W.CVS.PL32)
- Capacity of up to 250 buns per hour*

Specifications:

Model	W.CVT.BUN.25
Height	485mm
Width	570mm
Depth	510mm
Belt Width	356mm
Power	1Ø + N + E 240VAC / 50Hz / 6kW (2m lead fitted for on-site hard wiring)

*Results may vary due to bread types



Due to continuous product research and development, the information contained herein is subject to change without notice.

Revision: D - 15/07/2022 - 02

www.stoddart.com.au

www.stoddart.co.nz