

## Countertop Hot Food Well - Dry W.HFW21

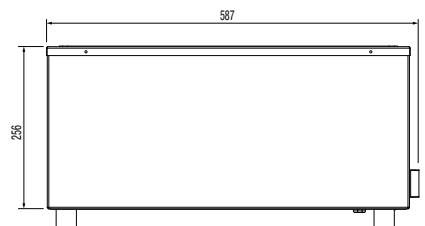
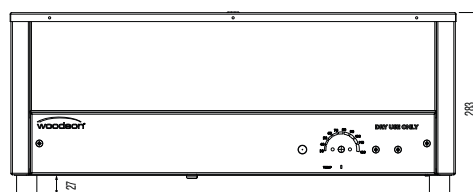
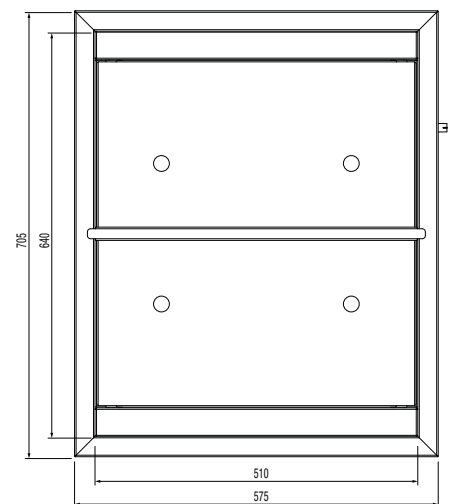
### Product Information:

- Designed and recommended for dry operation only
- Air insulated tank with double skinned stainless steel construction
- Fits gastronorm pans up to 150mm deep, pans must be bought separately
- Mechanical thermostat control with temperature gauge, adjustment from 30°C - 120°C
- NOTE: All Woodson Hot Food Wells are designed for use with Woodson pans. Other suppliers pans may fit, however this is not guaranteed



### Specifications:

<b>Model</b>	<b>W.HFW21</b>
<b>Height</b>	283mm
<b>Width</b>	705mm
<b>Depth</b>	575mm
<b>Power</b>	1.2kW
	10A Plug & lead fitted
<b>Bain</b>	6 x 1/3 GN Pans
<b>Marie</b>	4 x 1/2 GN Pans
<b>Capacity</b>	4 x 210mm deep round pans (pan kit required)



Due to continuous product research and development, the information contained herein is subject to change without notice.

Revision: A - 29/08/2022 - 02

[www.stoddart.com.au](http://www.stoddart.com.au)

[www.stoddart.co.nz](http://www.stoddart.co.nz)