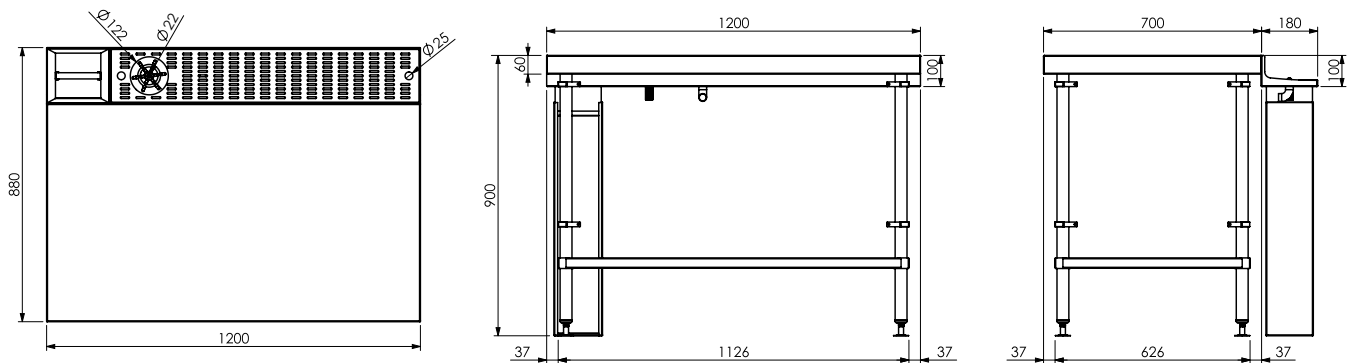


Product Information:

- Work bench supplied with drip tray, coffee knock and bin
- **Watermark Approved** Glass rinser supplied and fitted
- 1.2mm adjustable undershelf
- 1.2mm 304 grade stainless steel tops
- 1.2mm stainless steel reinforcing channel below top
- 38mm, 1.2mm wall thickness round tube legs
- Adjustable stainless steel feet as standard



General Drawing:



Specifications:

- SS42.CS.7.0900** 900mm x 880mm x 900mm
SS42.CS.7.0900 1200mm x 880mm x 900mm

Due to continuous product research and development, the information contained herein is subject to change without notice.

Revision: A - 17/03/2023

www.stoddart.com.au

www.stoddart.co.nz