

ORDER FORM - SANI GRATE WALK ON URINAL



Project / Job No.

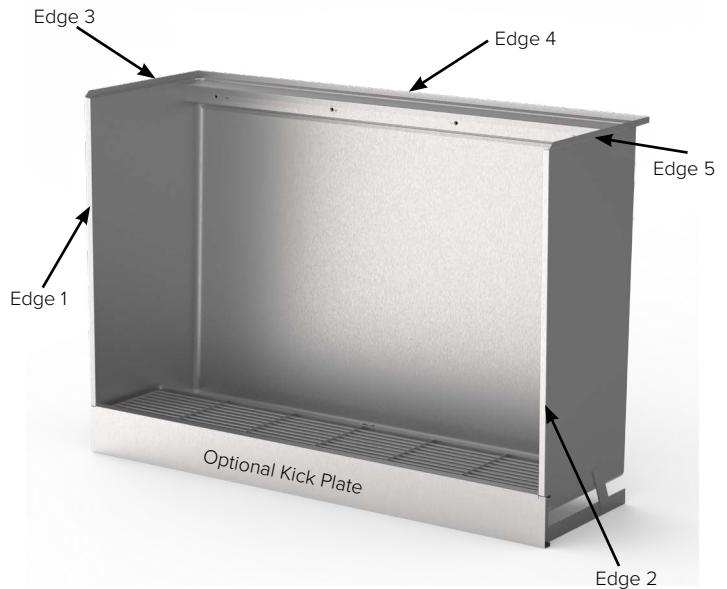
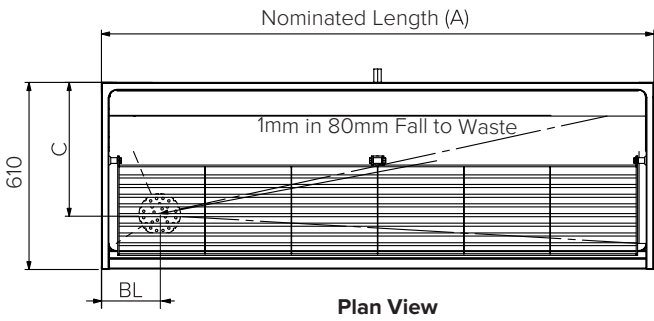
Customer:

Room No. Location

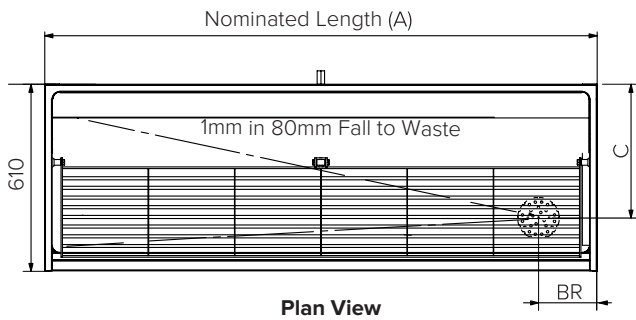
PO Number:

- Please complete all the items in the table below, then submit
- Cross out the drawing that doesn't apply

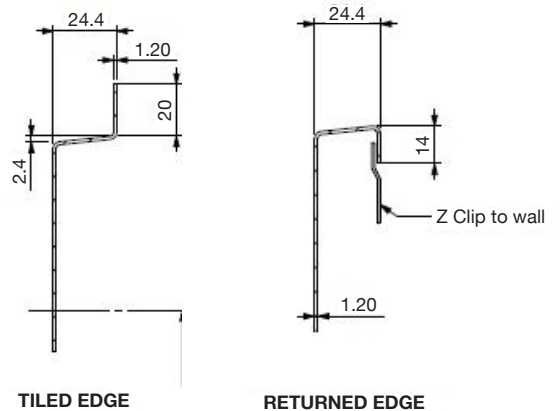
Waste at Left End Measured from Left End (Dim B_L)



Waste at Right End Measured from Right End (Dim B_R)



EDGE DETAILS



Detail	Dimension (mm) / Code Letter
Overall Length (Dim A)	
Waste Position from Left End (Dim B _L)	
Waste Position from Right End (Dim B _R)	
Waste Position off Rear Wall (Dim C) minimum 150mm	
Waste Diameter = 50 / 65 / 75 / 100mm	
Edge 1 Detail (T = Tiled or R = Returned)	
Edge 2 Detail (T = Tiled or R = Returned)	
Edge 3 Detail (T = Tiled or R = Returned)	
Edge 4 Detail (T = Tiled or R = Returned)	
Edge 5 Detail (T = Tiled or R = Returned)	
Free Standing End? (L=Left, R=Right, B=Both, N=No)	
Finished / Exposed End Panel (not against a wall)	
Include SS kick plate (Yes / No)	
Water Inlet Type (T = Top, R = Rear)	
Quantity?	
Water Inlet Type - Top Entry size (25 / 38mm) - Rear Entry size is always 25mm	
For Multiple or custom Water Inlet Positions - Sketch positions on plan and dimensions from ends (mm)	
Approved By:	

Due to continuous product research and development, the information contained herein is subject to change without notice.

Revision: March 14, 2023 1:21 PM

www.stoddart.com.au

www.stoddart.co.nz

