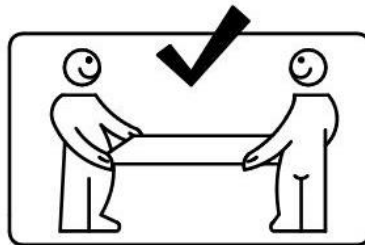
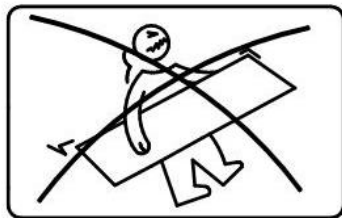


ASSEMBLY INSTRUCTIONS

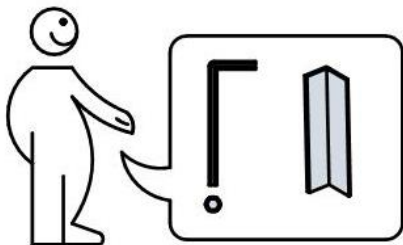
31 – BLUE SEAL / WALDORF INFILL BENCH



- 31-0300
- 31-0450
- 31-0600
- 31-0900



CONTENTS:



X 1



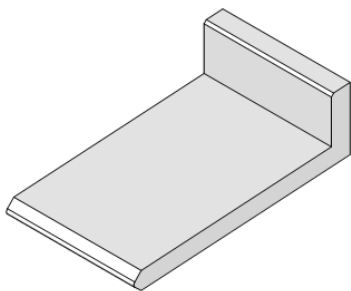
X 1



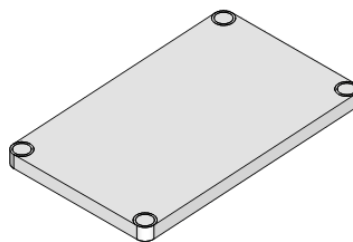
X 8



X 4

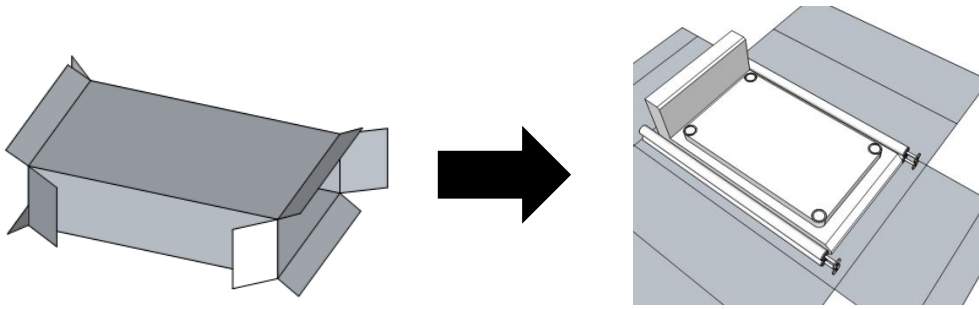


X 1

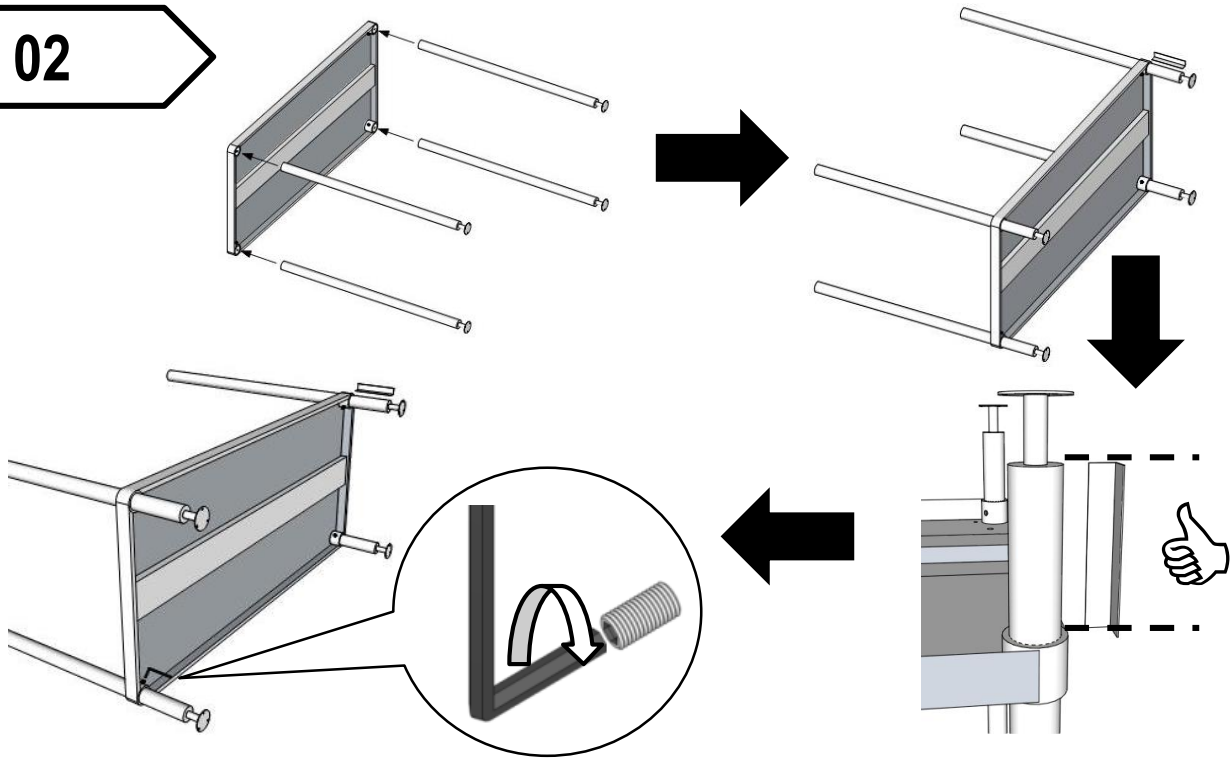


X 1

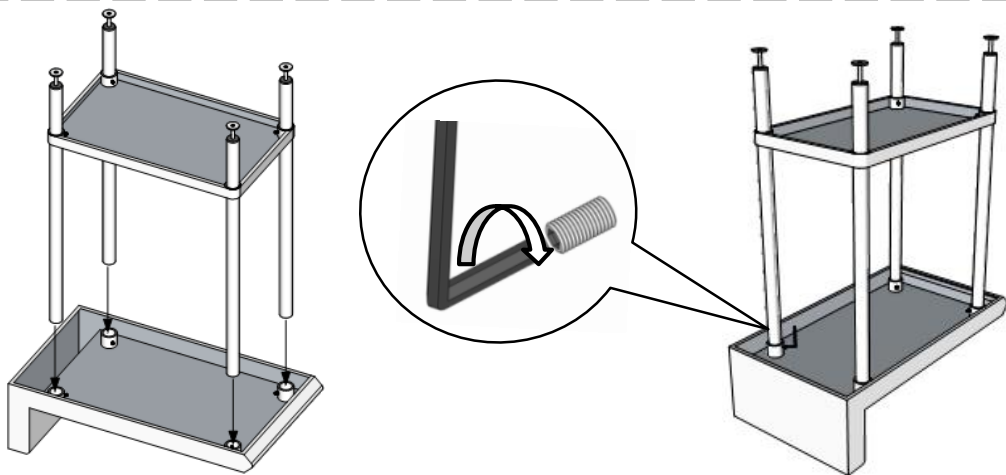
01



02



03



04

