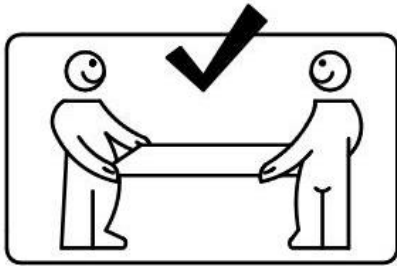
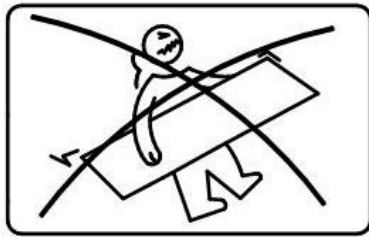


ASSEMBLY INSTRUCTIONS

# 36 – DISHWASH BASKET CASSETTE



- 36-DBC



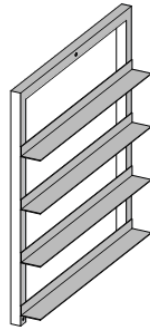
**CONTENTS :**



X 1



X 2

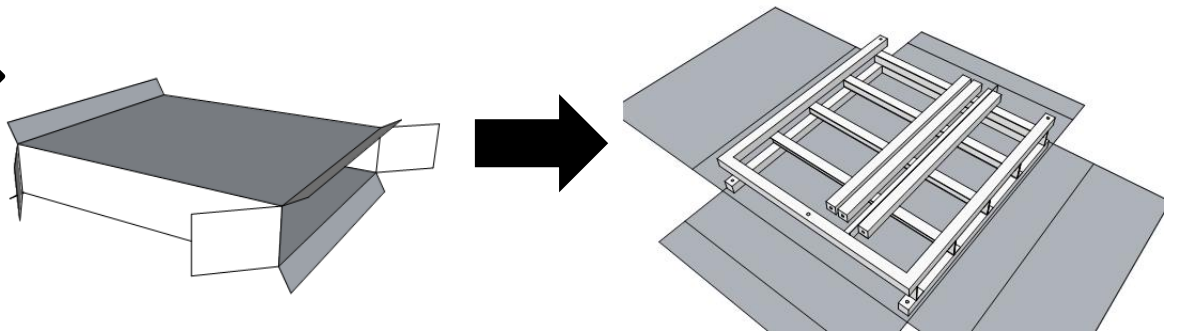


X 2

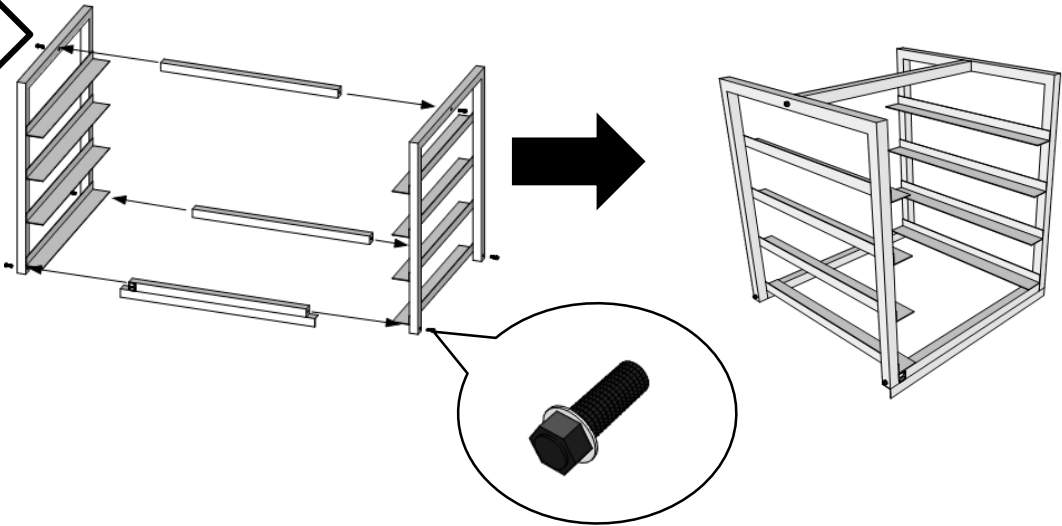


X 4

01



02



03

