

# Bain Marie Hot Cupboard - 2 Tier Gantry - Island

## CH.BMH.I.GDB.5



### Product Information:

- Unit comes complete with bainie marie, hotcupboard, and 2-Tier 304 stainless steel gantry. (Gantry welded to bench top)
- Wet or dry operation (temperature varies greatly when run dry, should not be left unattended for long periods of time)
- Temperature regulation via digital control, designed to hold product between 65°C - 90°C.
- Independent controls for bainie marie, hot cupboard and gantry
- 2-Tier overhead gantry fitted with Quartz IR heat lamps on the underside of the bottom shelf
- Air insulated, double skinned tank for energy efficient heating
- Hot cupboard equipped with a fan forced heating system
- Top mounted easy glide doors that do not sit in a bottom track, eliminates dirt trap. 1/1GN shelf configuration (1 shelf per door)
- Robust 304 grade stainless steel construction
- Manual fill and manual empty, valve operated waste
- 1/1 GN sized well, fits pans up to 150mm deep (sold separately). Pan dividers not supplied
- Stainless steel work shelf mounted onto fold down brackets. This item is factory fitted and must be selected at time of order
- **12-month parts and labour warranty**

### Specifications:

<b>Model</b>	CH.BMH.I.GDB.5
<b>W x D x H (mm)</b>	1783 x 753 x 1650
<b>Total Connected Load</b>	7.15kW
<b>Electrical Connection</b>	3Ø+N+E 400VAC / 50Hz (Onsite connection)
<b>Water Connection</b>	G 1/2" BSP
<b>Waste Connection</b>	1 1/4" BSP

### Optional Extras:

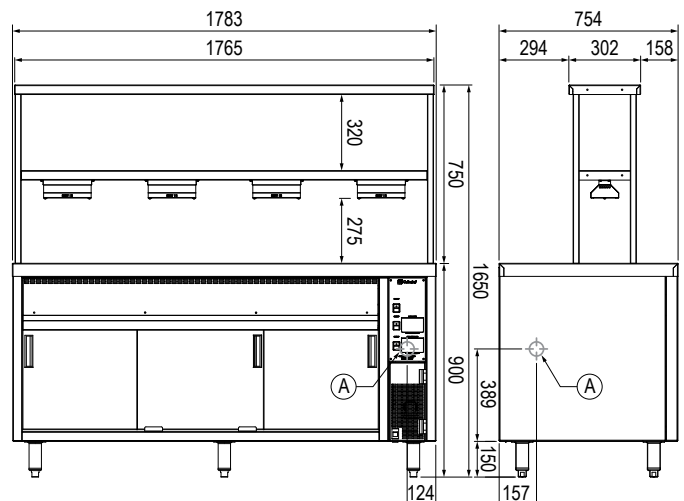
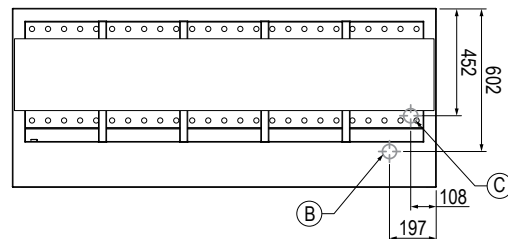
<b>Radius Well</b>	
Add <b>R</b> to code after the <b>I</b>	CH.BMH.IR.GDB.5
<b>Left Hand Controls</b>	
Add <b>.L</b> after the <b>I</b> or <b>UR</b> in the product code to specify left hand controls	CH.BMH.I.L.GDB.5 CH.BMH.IR.L.GDB.5
<b>Stainless Work Shelf</b>	CA.WS.5
<b>Note:</b> Optional extras must be selected at time of order	

### Accessories:

<b>Large Pan Dividers</b> (To suit large GN pans)	CA.PXL
<b>Cross Pan Dividers</b> (To suit smaller GN pans)	CA.PXS

### Legend:

<b>A</b>	Electrical Connection
<b>B</b>	Water Connection
<b>C</b>	Waste Connection



Due to continuous product research and development, the information contained herein is subject to change without notice.

Revision: A - 09/11/2023 - 01

[www.stoddart.com.au](http://www.stoddart.com.au)  
[www.stoddart.co.nz](http://www.stoddart.co.nz)

