

Bain Marie Hot Cupboard - 2 Tier Gantry - Island

CH.BMH.I.GDD.7



Product Information:

- Unit comes complete with baine marie, hotcupboard, and 2-Tier 304 stainless steel gantry. (Gantry welded to bench top)
- Wet or dry operation (temperature varies greatly when run dry, should not be left unattended for long periods of time)
- Temperature regulation via digital control, designed to hold product between 65°C - 90°C.
- Independent controls for baine marie, hot cupboard and gantry
- 2-Tier overhead gantry fitted with Quartz IR heat lamps on the underside of the both shelves
- Air insulated, double skinned tank for energy efficient heating
- Hot cupboard equipped with a fan forced heating system
- Top mounted easy glide doors that do not sit in a bottom track, eliminates dirt trap. 1/1GN shelf configuration (1 shelf per door)
- Robust 304 grade stainless steel construction
- Manual fill and manual empty, valve operated waste
- 1/1 GN sized well, fits pans up to 150mm deep (sold separately). Pan dividers not supplied
- Stainless steel work shelf mounted onto fold down brackets. This item is factory fitted and must be selected at time of order
- **12-month parts and labour warranty**

Specifications:

Model	CH.BMH.I.GDD.7
W x D x H (mm)	2463 x 753 x 1650
Total Connected Load	11.85kW
Electrical Connection	3Ø+N+E 400VAC / 50Hz (Onsite connection)
Water Connection	G 1/2" BSP
Waste Connection	1 1/4" BSP

Optional Extras:

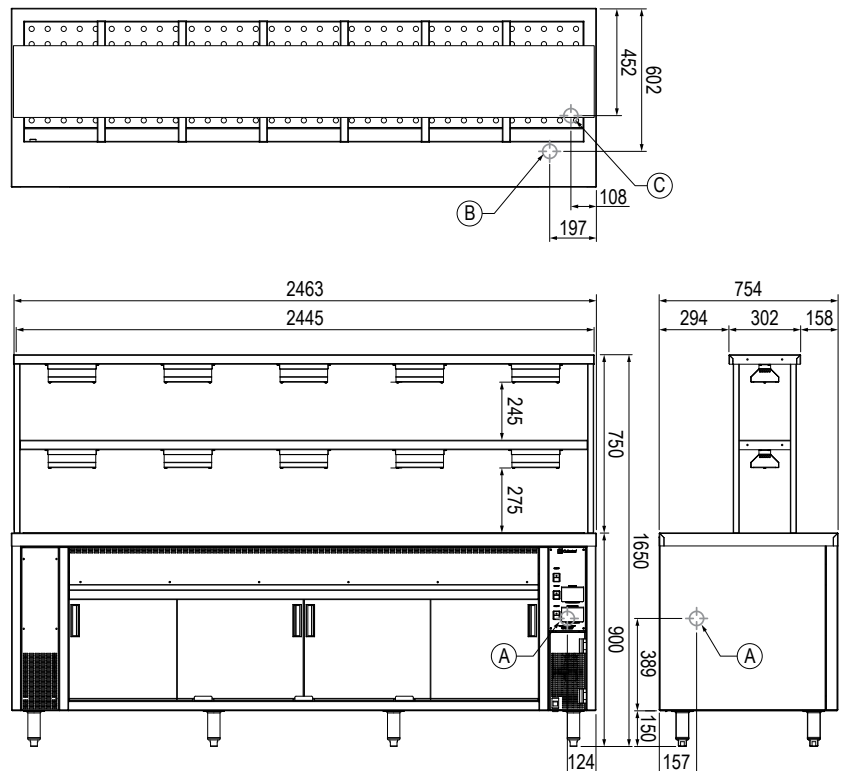
Radius Well	
Add R to code after the I	CH.BMH.IR.GDD.7
Left Hand Controls	
Add .L after the I or UR in the product code to specify left hand controls	CH.BMH.I.L.GDD.7 CH.BMH.IR.L.GDD.7
Stainless Work Shelf	CA.WS.7
Note: Optional extras must be selected at time of order	

Accessories:

Large Pan Dividers (To suit large GN pans)	CA.PXL
Cross Pan Dividers (To suit smaller GN pans)	CA.PXS

Legend:

- A** Electrical Connection
- B** Water Connection
- C** Waste Connection



Due to continuous product research and development, the information contained herein is subject to change without notice.

Revision: A - 09/11/2023 - 01

www.stoddart.com.au
www.stoddart.co.nz

