

Bain Marie Hot Cupboard - Undercounter

CH.BMH.U.8



Product Information:

- This unit is designed to be mounted under a custom made stainless steel bench (manufactured & fitted by others) and comes complete with bainie marie and hotcupboard
- Wet or dry operation (temperature varies greatly when run dry, should not be left unattended for long periods of time)
- Temperature regulation via digital control, designed to hold product between 65°C - 90°C.
- Independent controls for bainie marie, hot cupboard
- Air insulated, double skinned tank for energy efficient heating
- Hot cupboard equipped with a fan forced heating system
- Top mounted easy glide doors that do not sit in a bottom track, eliminates dirt trap. 1/1GN shelf configuration (1 shelf per door)
- Robust 304 grade stainless steel construction
- Manual fill and manual empty, valve operated waste
- 1/1 GN sized well, fits pans up to 150mm deep (sold separately). Pan dividers not supplied
- Customer supplied tops and gantry's, contact Stoddart representative for clarification on electrical requirements
- **12-month parts and labour warranty**

Specifications:

Model	CH.BMH.U.8
W x D x H (mm)	2800 x 750 x 900
Total Connected Load	9.6kW
Electrical Connection	3Ø+N+E 400VAC / 50Hz (Onsite connection)
Water Connection	G 1/2" BSP
Waste Connection	1 1/4" BSP

Optional Extras:

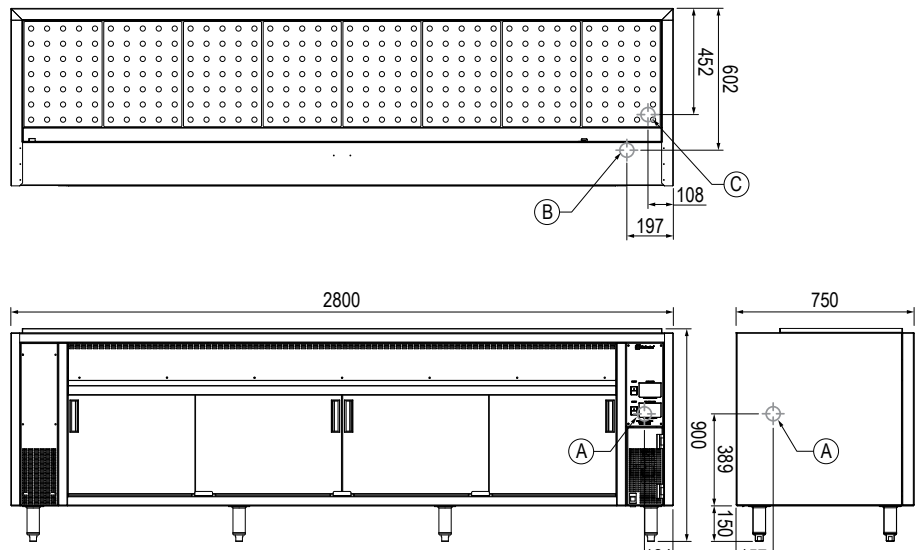
Radius Well	
Add R to code after the U	CH.BMH.UR.8
Left Hand Controls	
Add .L after the U or UR in the product code to specify left hand controls	CH.BMH.U.L.8 CH.BMH.UR.L.8
Note:	Optional extras must be selected at time of order

Accessories:

Large Pan Dividers (To suit large GN pans)	CA.PXL
Cross Pan Dividers (To suit smaller GN pans)	CA.PXS

Legend:

- A** Electrical Connection
- B** Water Connection
- C** Waste Connection



Due to continuous product research and development, the information contained herein is subject to change without notice.

Revision: C - 09/11/2023 - 01

www.stoddart.com.au

www.stoddart.co.nz

