

Bain Marie - Mobile

CH.BMM.3

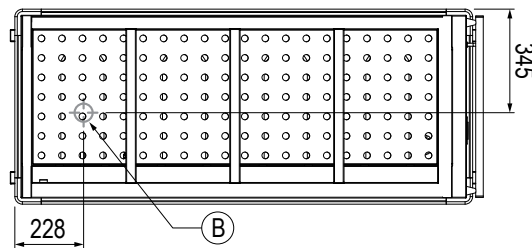


Product Information:

- Mobile Heavy-duty bain marie, designed to hold hot/pre-cooked food for serving
- Wet or dry operation (temperature varies greatly when run dry, should not be left unattended for long periods of time)
- Temperature regulation via digital control, designed to hold product between 65°C - 90°C.
- Air insulated, double skinned tank for energy efficient heating
- Robust 304 grade stainless steel construction, with an ergonomic stainless steel handle
- Heavy-duty non-marking 125mm swivel castors with brakes, wrap-around non-marking bumper
- Manual fill and manual empty, valve operated waste
- 1/1 GN sized well, fits pans up to 150mm deep (sold separately). Supplied with pan dividers
- Plug and lead fitted for connection to power when stationary
- Stainless steel work shelf mounted onto fold down brackets. This item is factory fitted and must be selected at time of order
- **12-month parts and labour warranty**

Specifications:

Model	CH.BMM.3
W x D x H (mm)	1209 x 646 x 900
Total Connected Load	1.8kW
Electrical Connection	240VAC / 50Hz (10A Plug & lead fitted)
Water Connection	G 1/2" BSP
Waste Connection	1 1/4" BSP



Optional Extras:

Radius Well

Add **R** to code after the **BMM** CH.BMM.R..3

Stainless Steel Work Shelf CA.WS.3

Note: Optional extras must be selected at time of order

Accessories:

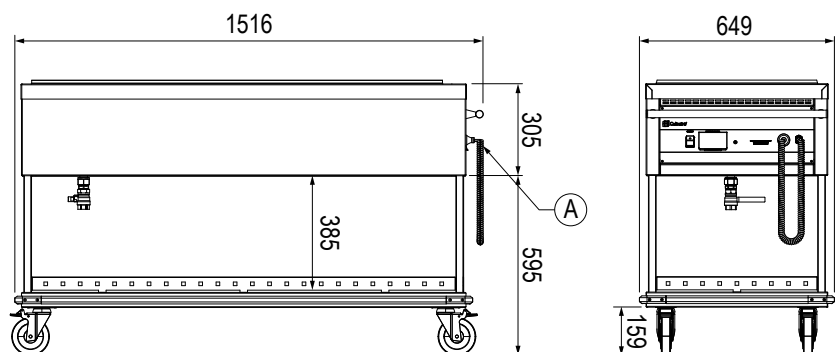
Large Pan Dividers CA.PXL
(To suit large GN pans)

Cross Pan Dividers CA.PXS
(To suit smaller GN pans)

Legend:

A Electrical Connection

B Waste Connection



Due to continuous product research and development, the information contained herein is subject to change without notice.

Revision: B - 09/11/2023 - 01

www.stoddart.com.au

www.stoddart.co.nz

