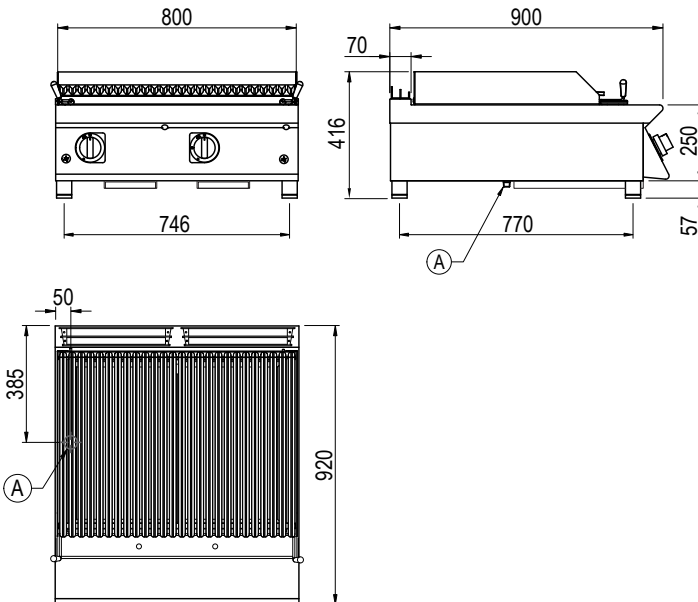




Product Information:

- Class leading, European style, professional quality and reliability since 1963
- 900 series, high performance gas char grill (79.2 MJ/h)
- Piezo ignition burners with flame failure device and pilot burner
- Temperature regulation via variable power flame control
- Lava stone rack over burners spreads and radiates heat while vaporising fats for that authentic char grill taste
- Supplied standard with specialised V-shaped meat char plate to capture and drain fat to front drip tray while providing defined char markings
- Supplied with removable internal grease tray, ash drawer and 2 x 1/2 char plates
- Full fish char plate (SPGI.2009861) and 1/2 meat, 1/2 fish char plate (SPGI.2011372) sold separately
- Robust 304 grade stainless steel construction with rounded corners and splashguards
- Open base with optional doors available (SPGI.2016437)
- Height adjustable stainless steel feet for a 900mm working height
- 24-month warranty

General Drawing:



Specifications:

Model	GL940GCT	
W x D x H (mm)	800 x 920 x 416	
Weight	110kg	
Packed Dimensions (mm)	850 x 1030 x 570	
Packed Weight (mm)	122Kg	
	Natural	Universal LPG
Gas Connection	1/2" BSP	1/2" BSP
Minimum Normal Test Gas Pressure	1.3 kPa	2.75 kPa
Maximum Normal Test Gas Pressure	3.5 kPa	3.5 kPa
Nominal Test Point Pressure	1.0 kPa	2.65 kPa
Total Nominal Gas Consumption	79.2 MJ/h	79.2 MJ/h

Note: It is the responsibility of the installing gas plumber to ensure correct supply and connection sustaining appropriate pressure, when all installed gas appliances are operating at maximum.

Legend:

A Gas Connection