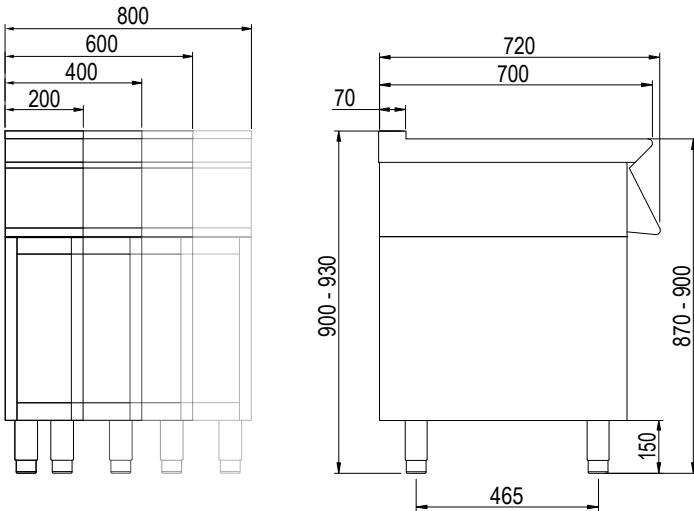




**Product Information:**

- Class leading, European style, professional quality and reliability since 1963
- 700 series, ambient worktops on open bases, available in 200, 400, 600 and 800mm wide units
- Robust 304 grade stainless steel construction with rounded corners for improved cleaning
- Height adjustable stainless steel feet for a 900mm working height
- Open base with optional door/s available (SPGI.2016437)
- 24-month warranty

**General Drawing:**



**Specifications:**

Model	EN710GT
W x D x H (mm)	200 x 720 x 890
Model	EN720GT
W x D x H (mm)	400 x 720 x 890
Model	EN730GT
W x D x H (mm)	600 x 720 x 890
Model	EN740GT
W x D x H (mm)	800 x 720 x 890