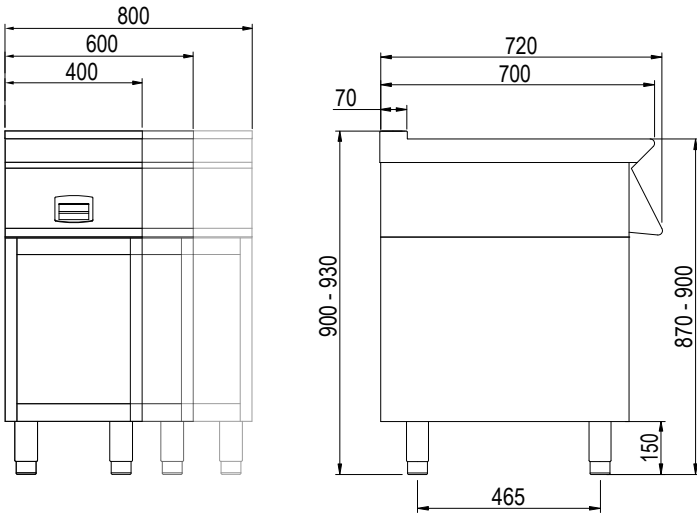




Product Information:

- Class leading, European style, professional quality and reliability since 1963
- 700 series, ambient worktops with drawers on open bases, available in 400, 600 and 800mm wide units
- Drawer with handle, suitable for 150mm high trays
- Robust 304 grade stainless steel construction with rounded corners for improved cleaning
- Height adjustable stainless steel feet for a 900mm working height
- Open base with optional door/s available (SPGI.2016437)
- 24-month warranty

General Drawing:



Specifications:

Model	EN72CGT
W x D x H (mm)	400 x 720 x 890
Model	EN73CGT
W x D x H (mm)	600 x 720 x 890
Model	EN74CGT
W x D x H (mm)	800 x 720 x 890

Due to continuous product research and development, the information contained herein is subject to change without notice.

Revision: A - 18/01/2024 - 02