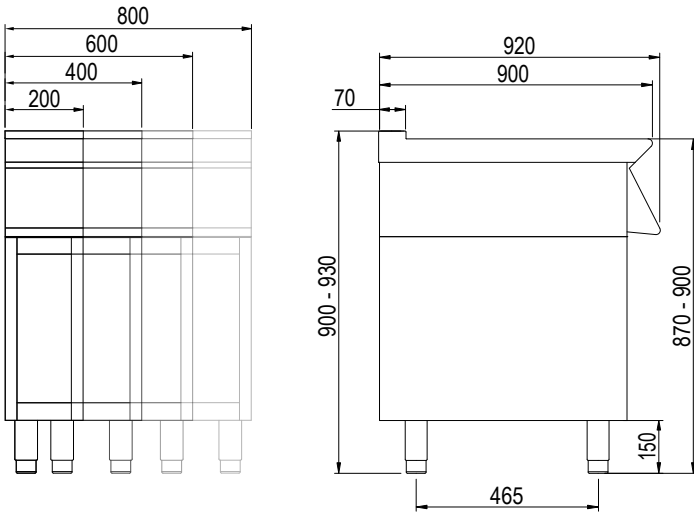




Product Information:

- Class leading, European style, professional quality and reliability since 1963
- 900 series, ambient worktops on open bases, available in 200, 400, 600 and 800mm wide units
- Robust 304 grade stainless steel construction with rounded corners for improved cleaning
- Height adjustable stainless steel feet for a 900mm working height
- Open base with optional door/s available (SPGI.2016437)
- 24-month warranty

General Drawing:



Specifications:

| | |
|----------------|-----------------|
| Model | EN910GT |
| W x D x H (mm) | 200 x 920 x 890 |
| Model | EN920GT |
| W x D x H (mm) | 400 x 920 x 890 |
| Model | EN930GT |
| W x D x H (mm) | 600 x 920 x 890 |
| Model | EN940GT |
| W x D x H (mm) | 800 x 920 x 890 |