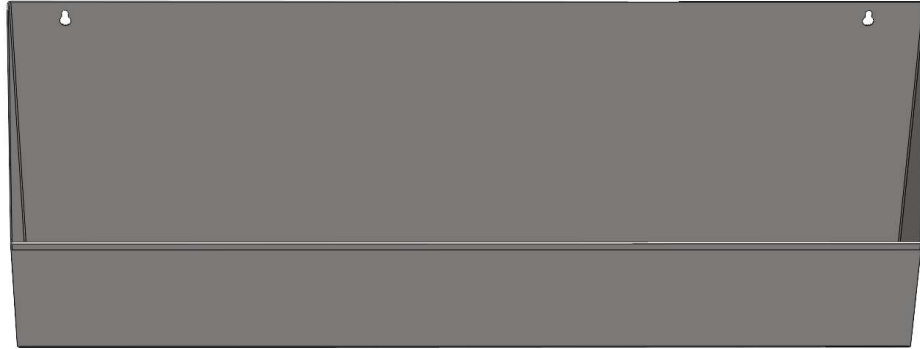
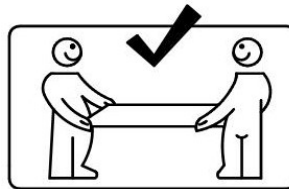
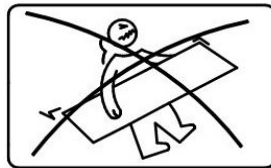


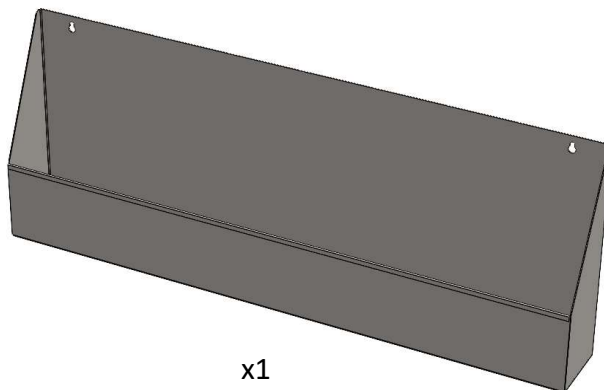
ASSEMBLY INSTRUCTION  
**SPEED RACK**



560mm AND 0815mm



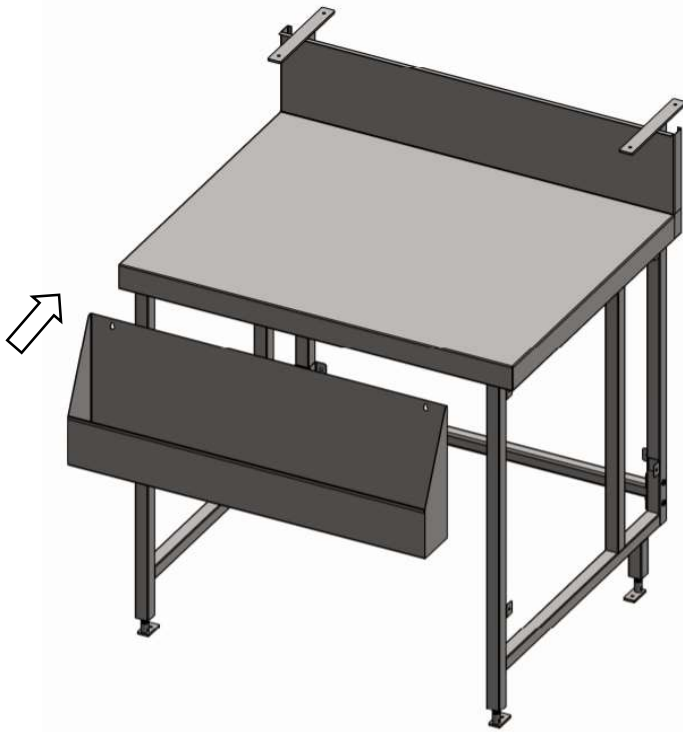
**CONTENT**



x1

PTO

01



02

