

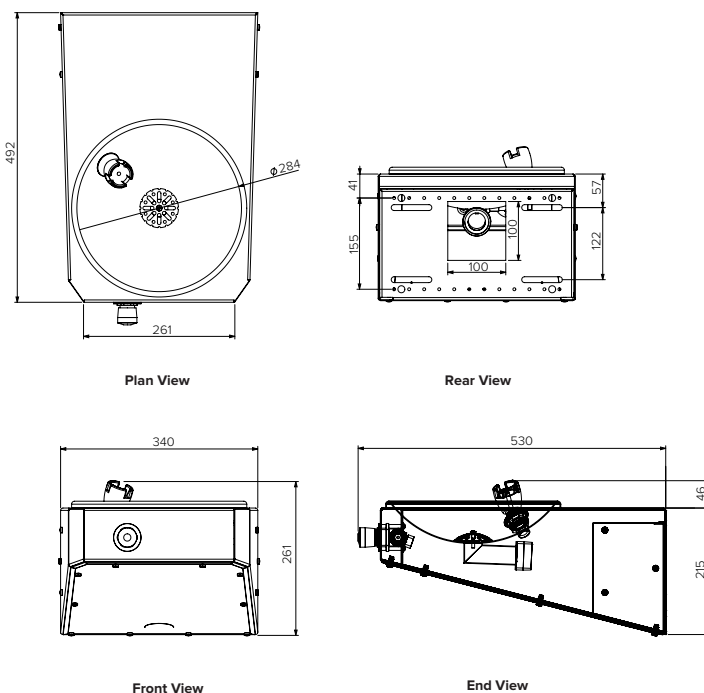
Metro - Wall Mounted

Model: SPPL.DF.M.WM.xx

SPPL = Stoddart Plumbing Product
 DF = Drinking Fountain
 M = Metro
 WM = Wall Mounted
 xx = BF = Bottle filler
 eg.: for specification and ordering quote
 Code: SPPL.DF.M.WM.BF

Features and Benefits:

- Ideal for Schools, Shopping malls and outdoor areas
- Easy-Push buttons & valves supply a regulated flow of fresh clean drinking water while reducing water waste
- Large rounded collection bowl prevents excess water on the ground
- Wall mounted drinking fountain can be easily mounted to most wall surfaces at heights suitable to the application
- Wheelchair accessible as per the requirements advised in AS1428.2
- All optional tapware are WELS and Watermark approved



Specifications:

Construction: 1.5mm 304 grade stainless steel construction, no.4 satin finish. Unit is pre-plumbed with button and bubbler

Water Connection: Single 15mm (1/2" BSP)

Waste Connection: 40mm waste connection

Unit Fixing: The unit is supplied with a wall mounting bracket with fixing holes

Disabled Access: Fixing height for the Disabled Access Code AS 1428.2 is 700mm from the top of unit to finished floor level. Ideal level for adult wheelchair occupants is 850mm.

Model No.	L x D x H (mm)
SPPL.DF.M.WM	340 x 530 x 261

Sold Separately

Tapware Options:



CMPL.0876



Suitable for use where disabled access is required



Proudly Manufactured in Australia

Due to continuous product research and development, the information contained herein is subject to change without notice.

Revision: D - 10/05/2024

www.stoddart.com.au
 www.stoddart.co.nz