

Metro Dual Round - Wall Mounted

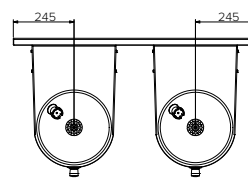
Model: SPPL.DF.MD.R.WM.xx

SPPL = Stoddart Plumbing Product
 DF = Drinking Fountain
 MD = Metro Dual
 R = Round
 WM = Wall Mounted
 xx = BF = Bottle filler
 eg.: for specification and ordering quote
 Code: SPPL.DF.MD.R.WM.BF

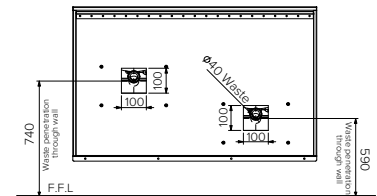


Features and Benefits:

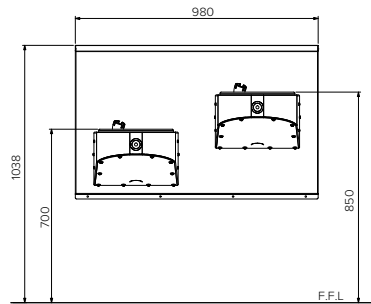
- Ideal drinking fountain for schools, shopping malls, hospitals, airports and outdoor areas
- Easy-Push buttons & valves supply a regulated flow of fresh clean drinking water while reducing water waste
- Large rounded collection bowl prevents excess water on the ground
- Metro Dual Round Drinking Fountain can be easily mounted to most wall surfaces at heights suitable to the application
- Wheelchair accessible as per the requirements advised in AS1428.2
- Available with refrigerated water unit; See SPPL.DF.MD.WM.HC (6-5) data sheet for details
- All optional tapware are WELS and Watermark approved



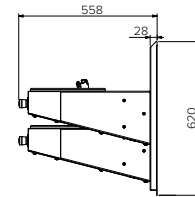
Plan View



Rear View



Front View



End View

Specifications:

- Construction:** 1.5mm 304 grade stainless steel construction, no.4 satin finish. Unit is pre-plumbed with button and bubbler
- Water Connection:** Single 15mm (1/2" BSP)
- Waste Connection:** 40mm waste connection
- Unit Fixing:** The unit is supplied with a wall mounting bracket. Access panels provide secured access to plumbing under each fountain.
- Disabled Access:** The preferred fixing height for Disabled Access is 850 - 890mm from the top of unit to finished floor level to allow clear leg space under the unit. This height is also suited for most adults, while 700mm provides access for most children.

Model No.	L x D x H (mm)
SPPL.DF.MD.R.WM	980 x 558 x 620

Sold Separately

Tapware Options:



CMLP.0876



Due to continuous product research and development, the information contained herein is subject to change without notice.
 Revision: A - 10/05/2024

www.stoddart.com.au
 www.stoddart.co.nz

