

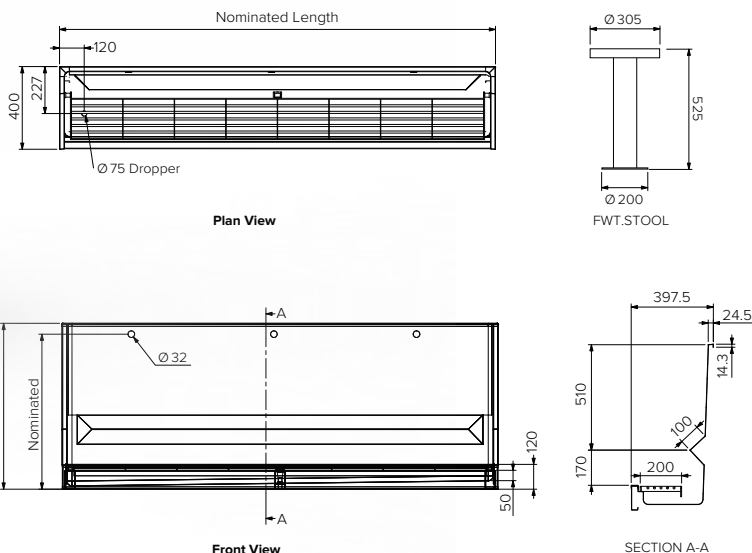
# Foot Wash Trough

**Model: SPPL.WT.FWT.x.yy.zzzz**

SPPL = Stoddart Plumbing Product  
 WT = Wash Trough  
 FWT = Foot Wash Trough  
 x = R = Right Hand Waste  
 = L = Left Hand Waste  
 yy = RE = Recessed  
 = FM = Floor mounted  
 zzzz = Nominated Length  
 eg.: for specification and ordering quote  
 Code: SPPL.WT.FWT.R.FM.1500

**Features and Benefits:**

- Full depth sides for superior hygiene
- Fully supported on legs for easy installation (no need to fill void under trough)
- Can be set into floor (recessed so the top grate is flush with floor), or set on floor (can be fitted with optional stainless steel front kick panel)
- Grate is high strength, slip resistant, hygienic stainless steel
- Grate is hinged for cleaning access
- All internal corners have a large radius for ease of cleaning and effective drainage
- Fall to waste of 1:80 ensures proper drainage
- Compressed fibre-cement backing provides 'anti-drum' noise suppression
- Optional freestanding end panels are available
- Top edge can have either returned edge or tile edge
- L or U shape configurations available, please contact Stoddart plumbing for additional information



**Specifications:**

Construction: Fully welded seamless 304 grade 1.2 mm thick stainless steel construction, no.4 satin finish.  
 Waste Connection: 50mm - 100mm dropper outlets available

Model No.	L x D x H (mm)
SPPL.WT.FWT.x.yy.zzzz	Nominated x 400 x 802
FWT.STOOL	Ø305 x 525
Custom sizes available	

**Sold Separately**



Due to continuous product research and development, the information contained herein is subject to change without notice.

Revision: B - 14/05/2024

www.stoddart.com.au  
 www.stoddart.co.nz