




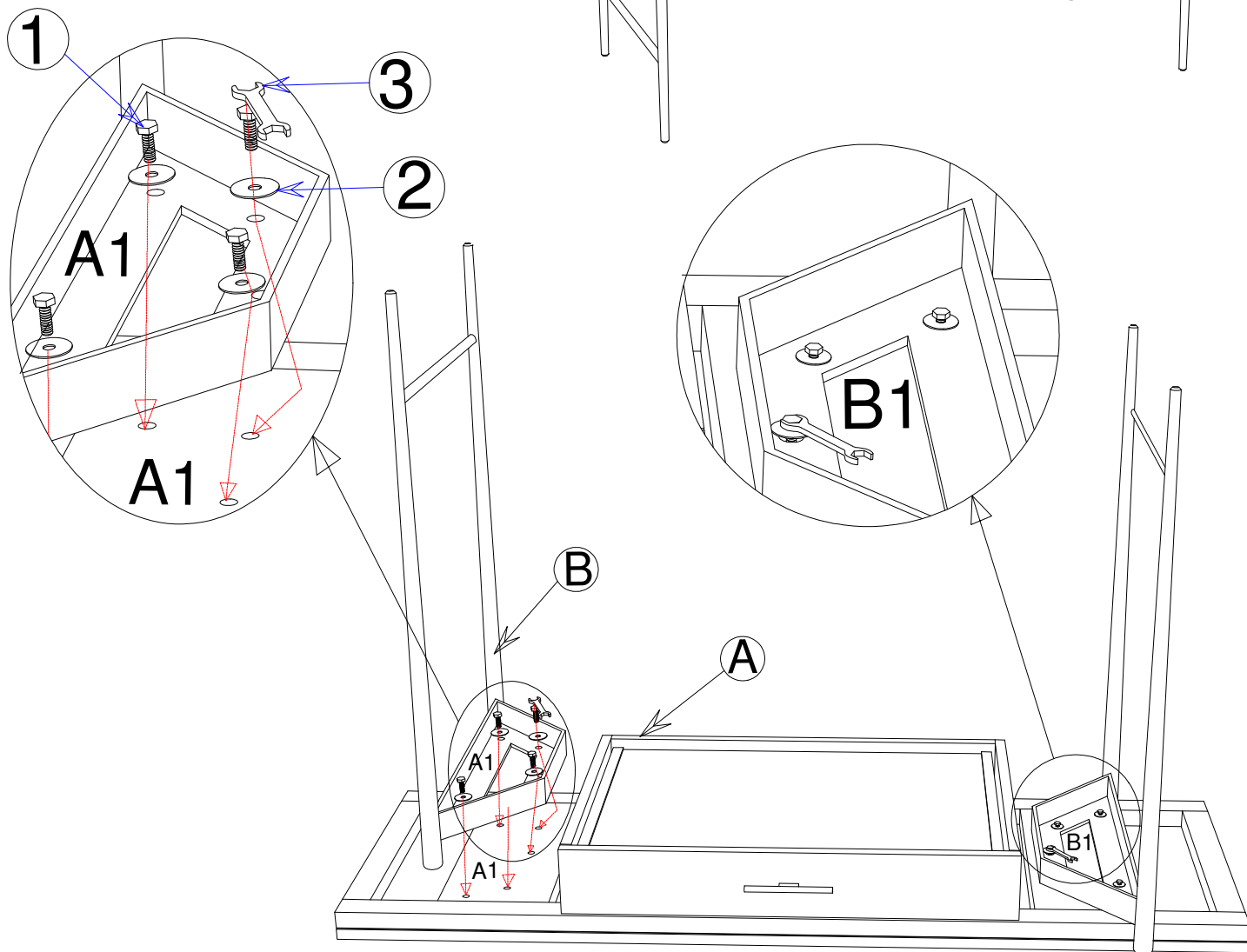
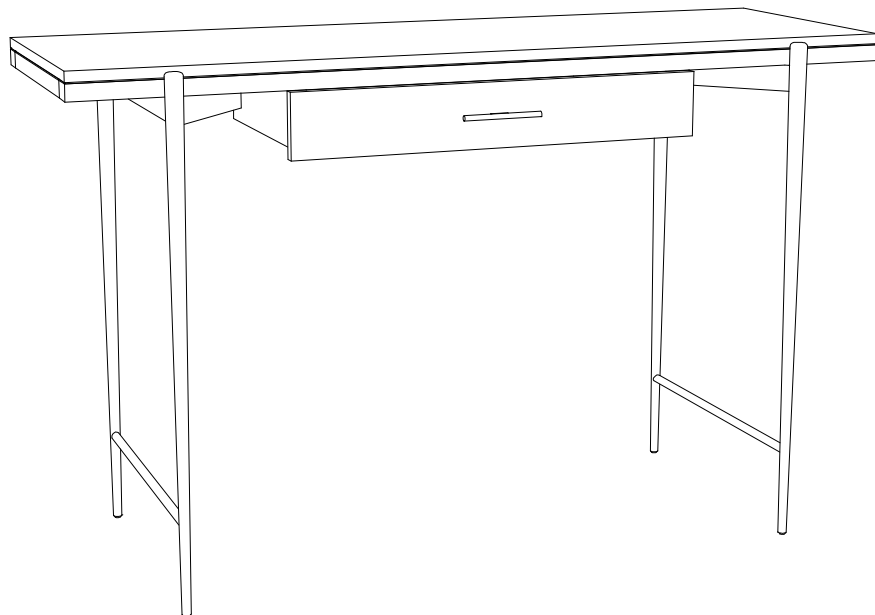
# HEKMAN®

A HOWARD MILLER COMPANY

## ASSEMBLY INSTRUCTION FOR 23742 DESK W/1 DRAWER

### HARDWARE LIST

NO.	ITEM	DESCRIPTION	QTY.
1		Bolt M8X25 MM	10
2		Flat washer M8X25 MM	10
3		Wrench	1



### TO ASSEMBLY :

STEP 1 : Unpack desk and turn the desk (A) upside down. on a clean, soft surface.

STEP 2 : Match the iron legs(B). use matching marks A1 & B1 - on top (A).

STEP 3 : Align holes in legs (B) with holes on bottom of desk (A) and slide it into position.

STEP 4 : Thread the flat washer(2) , bolt (1) to leg (B) . Do not tighten bolts fully until all bolts have been started.

STEP 5 : Tighten bolts in step 4 fully with wrench (3) then carefully turn the desk upright.