






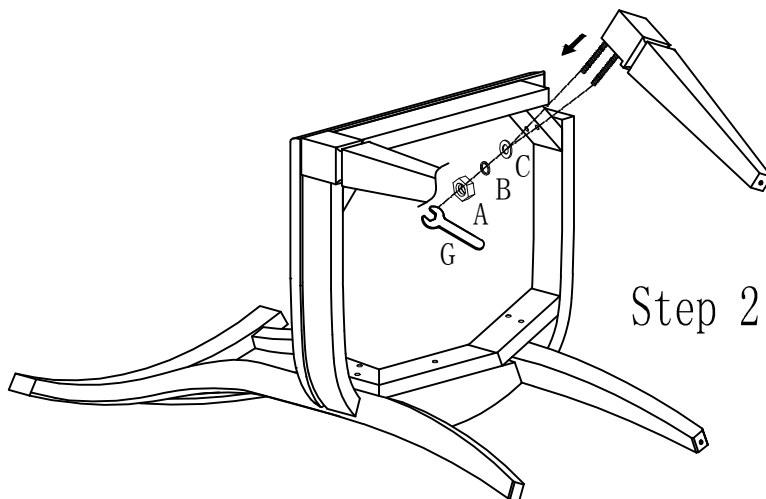
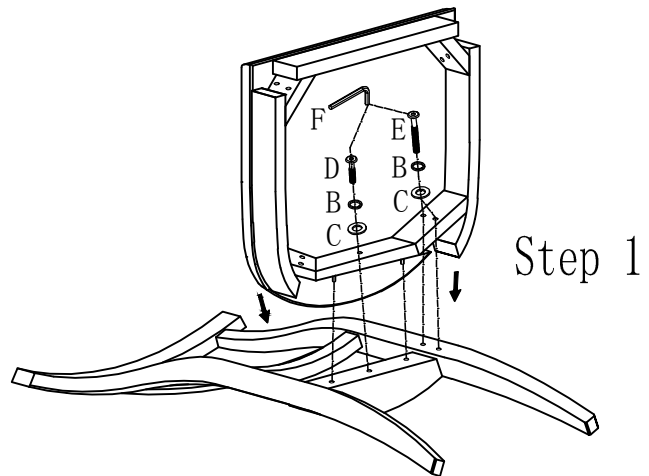


# ASSEMBLY INSTRUCTIONS

24823 - Side Chair

A		5/16" x 12.5 x 8.5mm	4Pcs
B		5/16	9Pcs
C		5/16 x 19mm	9Pcs
D		5/16 x 45mm	1Pc
E		5/16 x 76mm	4Pcs
F		4mm	1Pc
G		13mm	1Pc

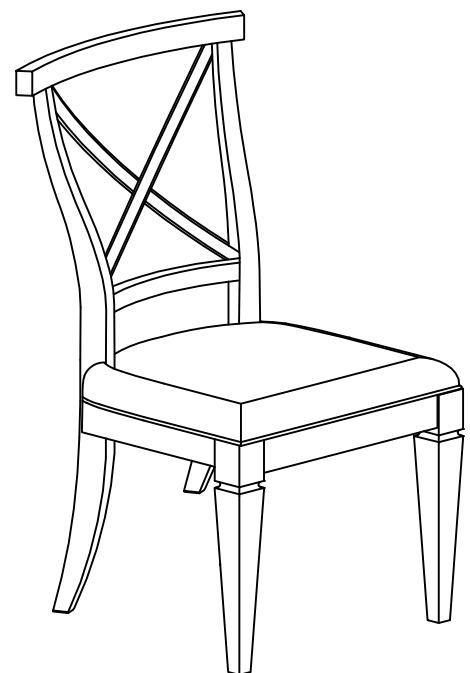


Assemble the chair on soft and clean surface to prevent scratching

Step 1: Assemble the back frame and the chair seat together with Bolt (D, E), Lock washer (B) and Washer (C) using Allen Wrench (F) Provided.

Step 2: Assemble the front legs to the chair with Nut (A), Lock washer (B) and Washer (C) using Wrench (G). Do not tighten nuts completely.

Step 3: Set the chair upright on a flat surface. Adjust front legs so all four chair legs touch the floor, tighten nuts completely on front legs. (The seat cushion may need to be loosen to adjust front legs).



MADE IN VIETNAM