

Ridgeway



**Grandfather Clock
Instruction Manual**

English

Espanol Francais Deutsch

1 - 13

15 - 38

BASIC OPERATION OF A FLOOR CLOCK

At the heart of every floor clock is the movement. The movement controls the hour strike, time keeping, and chime. The pendulum and weights are critical components to operation of the clock movement.

The pendulum provides the ability to regulate and adjust the time keeping. As described within these instructions, adjustments to the pendulum to achieve accurate time keeping is easily accomplished.

The three weights provide power to the hour strike (left weight), time (center weight), and chime melody (right weight). Without these weights, the clock would not operate. Each weight is different and must be properly hung from the movement (left, center, right) to ensure proper operation. Weights are hung from the movement by a cable or chain. The weights must be raised at least every 7 days or the clock will stop. Raising cable driven weights is accomplished through use of a crank. Raising chain driven weights is accomplished by pulling down on the loose end of the chain.

The strike and chime sounds are made by a series of hammers hitting various length rods. Each rod makes a different sound when hit by a hammer. Specific chime melodies are achieved by controlling the sequence that each hammer hits a corresponding rod.

IMPORTANT INFORMATION

- Please take a moment to record the clock model number and serial number in the space provided in the Service Information section on page 12.
- The product information label lists the clock model number and serial number. The clock model number and serial number are essential for obtaining parts or service. The product information label may be located in several locations: outside the shipping carton, back of door, back of the clock, top of the clock, inside the top back corner of the clock, or inside the clock above the back of the dial. Refer to this label when contacting us or your dealer.
- Attach your sales receipt to this manual for future reference, and record the information from the Product Information Label, as indicated on page 7.
- Please keep any original packing that came with your floor clock.

TABLE OF CONTENTS

FLOOR CLOCK: CABLE

Setting Up Your Clock	3
Hanging Pendulum	3
Hanging Weights	4
Setting Moon Dial	4
Setting Time	4
Starting Clock	4

FLOOR CLOCK: CHAIN

Setting Up Your Clock	5
Hanging Pendulum	5
Hanging Weights	6
Setting Moon Dial	6
Setting Time	6
Starting Clock	6

GENERAL INFORMATION

Product Information Label	7
Moving Your Clock	7
Installing / Removing Top Side Panel	7
Glass Features	7
Raising Weights	8
Regulating Timekeeping	8
Automatic Night-Time Silencing Option	8
Chime Selection	9
Care And Maintenance	9

TROUBLE SHOOTING

Difficulty Rotating The Moon Dial	9
Clock Does Not Chime At Proper Time	9
Clock Does Not Strike The Correct Hour	10
Clock Will Not Chime or Strike	10
Chimes Have The Incorrect Tone	10
Weights Do Not Drop at the Same Level	11
Clock Will Not Run	11

WARRANTY	12
--------------------	----

SERVICE INFORMATION	12
-------------------------------	----

ELECTRICAL SAFETY INSTRUCTIONS	13
--	----

FOLLOW THESE SIX STEPS TO SET UP CLOCKS THAT REQUIRE WEIGHTS SUSPENDED FROM A PULLEY AND CABLE

STEP 1 SETTING UP YOUR CLOCK

Located in the bottom of the shipping carton will be a box. This box contains:
a) a key to fit your clock door, b) a crank which will be used to wind your clock and, c) weights which operate the clock movement. Also, within the shipping carton will be the clock pendulum packaged in a separate box.

WARNING: KEEP PLASTIC BAGS AND SMALL PARTS AWAY FROM CHILDREN.

Move the clock close to its final location.

WARNING: ENSURE CLOCK IS POSITIONED SQUARE AND FIRM ON THE FLOOR SO THAT IT WILL NOT FALL OVER. ADJUST LEVELERS FOR MAXIMUM STABILITY AND PROPER ALIGNMENT.

Access to the clock movement, chimes and cables is made in three possible ways; through the front door(s), through the top side panels (or side doors on some clocks), or through the back access panel. The top side panels are held from the inside by tape or a plastic clip. The plastic clip may be turned or tape may be removed permanently. Refer to the General Information section on page 7 for proper instructions to remove and install top side panels.

Remove the cardboard sleeve, from around the chime rods and pendulum guide, by holding the cardboard sleeve at points 'A' and 'B' and pulling straight down. Pull straight down and off the ends of the chime rods and pendulum guide. (See figure 1).

Remove the foam pads from between the chime hammers and chime rods. Care should be taken to avoid bending the chime hammers. The chime hammers will be free to move after the cardboard sleeve has been removed, thereby allowing easy removal of the foam pads.

DO NOT REMOVE THE STYROFOAM BLOCKS from above the cable pulleys. This is one of the most critical points in the entire set-up operation.

Removing the styrofoam blocks at this time could cause the cables to overlap and bind the movement. You can remove the styrofoam blocks **AFTER** they become loose through normal operation, which typically occurs after eight (8) hours of run time.

Position the clock into its final location. Once in place, your clock cabinet must be leveled, as the clock may not operate if it is not level. There are four (4) levelers under the cabinet on each corner that can be screwed in (up) or out (down) to make adjustments. Place a level alongside the clock cabinet from front to back and side to side, adjusting the levelers until level. It may be necessary to periodically check your cabinet after initial set-up, (especially if the clock is on carpet), as it might settle after original leveling. (see figure 2). Ensure clock is positioned square and firm on the floor so that it will not fall over.

Illuminated cases: Some clocks have lights illuminating the inside of the clock case. Check that all packaging materials have been removed from the light bulb before operating the light.

NOTE: To perform the following steps we suggest wearing cotton gloves or using a soft cloth when handling parts.

STEP 2 HANGING PENDULUM

Some pendulums have a colored protective plastic film covering the pendulum disk. Carefully remove this film before hanging the pendulum. To hang the pendulum, locate the pendulum guide through the front door, or any of the side or back access panel locations. While holding the pendulum guide with one hand, slip the pendulum in through the front door with your other hand. Place the pendulum hook through the slot on the pendulum guide, and lower the pendulum until it is hanging securely on the pendulum guide. (See figure 3).

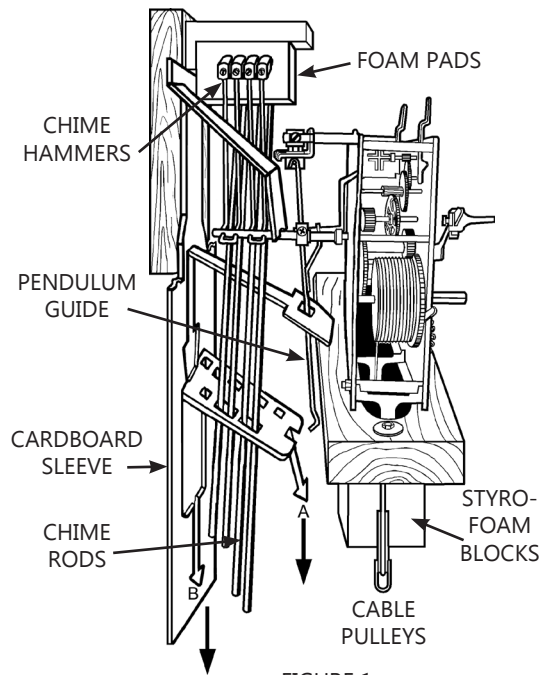


FIGURE 1

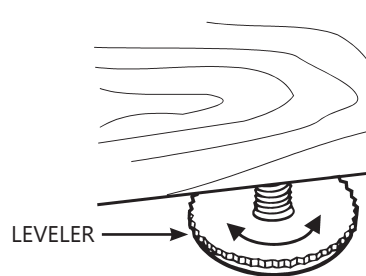


FIGURE 2

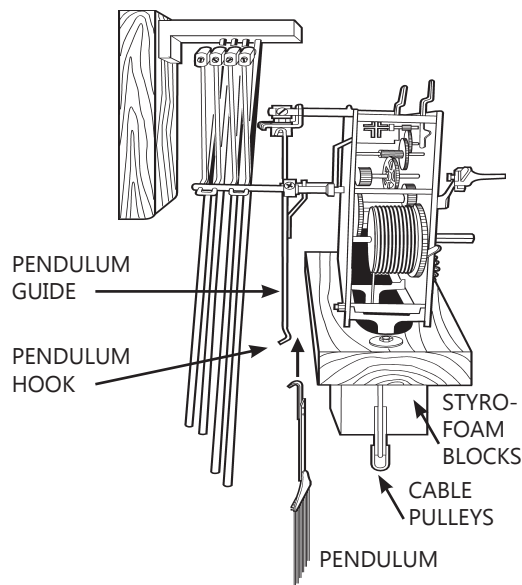


FIGURE 3

STEP 3 HANGING WEIGHTS

DO NOT REMOVE THE STYROFOAM BLOCKS until after your clock has been operating. You can remove the styrofoam blocks **AFTER** they become loose through normal operation, which typically occurs after eight (8) hours of run time.

Most clocks use three weights. The bottom of each weight is labeled as to its proper hanging position as you view your clock from the front. The total weight of each weight is slightly different and each **WEIGHT MUST BE INSTALLED IN ITS CORRECT LOCATION FOR THE CLOCK TO OPERATE PROPERLY**. Check the weights to ensure that they are tightly assembled.

Check to make sure that the cable is in the cable pulley. Hang the weights on the pulleys. (See figure 4).

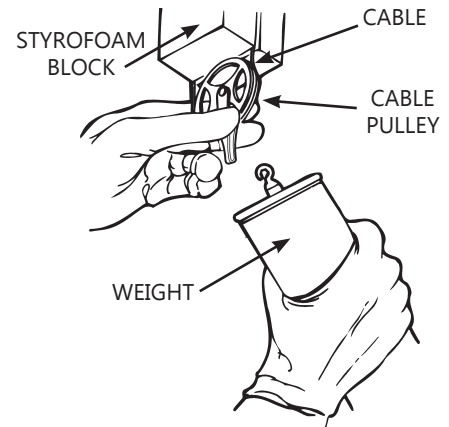


FIGURE 4

STEP 4 SETTING MOON DIAL (available on some models)

With your fingertips, apply slight pressure to the front of the moon dial and rotate the moon dial clockwise until the moon is directly below the #15 lunar day mark (each mark represents a lunar day) on the lunar arch (See figure 5).

If the moon dial will not rotate, see the Trouble Shooting Section.

Refer to an almanac or calendar and determine the date of the last full moon. Count the number of days past the last full moon.

Rotate the moon dial clockwise 1 lunar day for every day past the full moon.

Example: If the last full moon was 3 days ago, rotate the moon dial clockwise 3 lunar days so that the moon is centered at lunar day 18 on the lunar arch.

The moon dial is now set and will indicate the proper moon phases as long as the clock operates continuously. If the clock stops the moon dial will also stop and can be reset when the clock is started again.

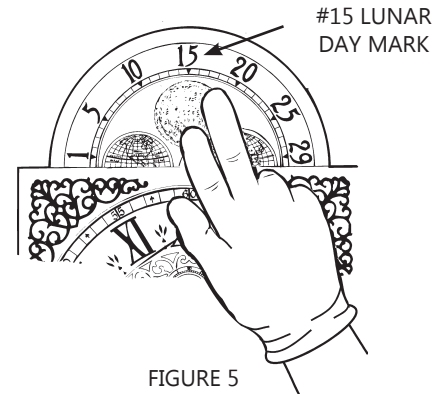


FIGURE 5

STEP 5 SETTING TIME (moving the hands)

CAUTION ON MOVEMENTS WITH AUTOMATIC CHIME SEQUENCING:

The chime selection lever should not be in the "Auto" position when moving the hands. Moving the hands in either the clockwise or counterclockwise direction while the automatic chime sequencing is in operation could damage the chime mechanism.

CAUTION ON MOVEMENTS WITH DAY/NIGHT SHUT-OFF FEATURES:

The Day/Night lever must be in the strike position (all the way up) when moving the hands.

To set the time, move **ONLY THE MINUTE HAND** counterclockwise (backwards) until hour and minute hand are at the correct time. (See figure 6). **DO NOT MOVE THE HOUR HAND WHEN SETTING THE TIME**. The hour hand will move automatically when the minute hand is moved. By moving the minute hand counterclockwise it is not necessary to wait for the clock to chime as the minute hand passes each quarter hour. (See figure 6). The movement has a self correcting feature which synchronizes the chimes with the time. If after setting the clock on time, it does not chime properly, permit it to operate 2 hours to correct itself.

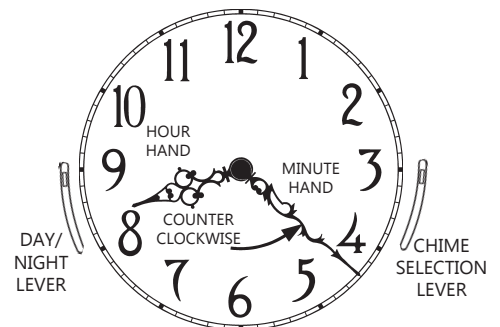


FIGURE 6

STEP 6 STARTING CLOCK

Reach through the front door of the clock and place your hand on the side of the pendulum disk.

Move the pendulum to the far left of center and release. Let the clock operate a few minutes until the pendulum settles into an even swinging motion. (See figure 7).

If your clock gains or loses time after twenty-four (24) hours, see General Information Section to regulate the timekeeping of your clock.

AFTER the styrofoam blocks become loose through normal operation, which typically occurs after eight (8) hours of run time, you can remove the styrofoam blocks. Remove the styrofoam blocks by lifting the blocks straight up until they clear the cable pulley. Then gently push them back, through the cables. Do not use tools to remove the blocks. Do not permit the cable to overlap on the drum.

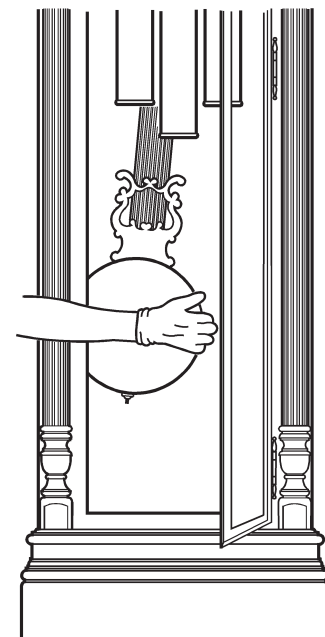


FIGURE 7

FOLLOW THESE SIX STEPS TO SET UP CLOCKS THAT REQUIRE WEIGHTS SUSPENDED FROM A CHAIN

STEP 1 SETTING UP YOUR CLOCK

Located in the bottom of the shipping carton will be a box. This box contains:
a) a key to fit your clock door and, b) weights which operate the clock movement.
Also, within the shipping carton will be the clock pendulum packaged in a separate cardboard box.

WARNING: KEEP PLASTIC BAGS AND SMALL PARTS AWAY FROM CHILDREN.

Move the clock close to its final location.

WARNING: ENSURE CLOCK IS POSITIONED SQUARE AND FIRM ON THE FLOOR SO THAT IT WILL NOT FALL OVER. ADJUST LEVELERS FOR MAXIMUM STABILITY AND PROPER ALIGNMENT.

Access to the clock movement, chimes and chains is made in three possible ways; through the front door(s) through the side or back access panel. The rear access panel is held in place with plastic clips. Turn the top clips to remove the rear access panel. The side access panels are held from the inside by tape or a plastic clip. The clip may be turned or tape may be removed permanently. Refer to the General Information section on how to properly remove and install side access panels.

Remove the plastic retainer from the chime rods by carefully tilting and sliding the retainer down off the ends of the chime rods. Remove the foam pads from between the hammers and chime rods. Care should be taken to avoid bending the chime hammers and chime rods.

The chains have been packed for shipment in a bag and are located near the clock movement. Pull the bag free and cut the string with scissors. Allow the chains to hang.

CAUTION: Take great care not to pull the chains through the movement or off the sprockets while removing the plastic retainer from the chains.

Carefully remove the plastic retainer by sliding the retainer down off the chains.

Remove the spring clip from the back side of the movement by first pulling one end free. (See figure 8).

Position the clock into its final location. Once in place, your clock cabinet must be leveled, as the clock may not operate if it is not level. There are four (4) levelers under the cabinet on each corner that can be screwed in (up) or out (down) to make adjustments. Place a level alongside the clock cabinet from front to back and side to side, adjusting the levelers until level. It may be necessary to periodically check your cabinet after initial set-up, (especially if the clock is on carpet), as it might settle after original leveling. (See figure 9). Ensure clock is positioned square and firm on the floor so that it will not fall over.

Illuminated cases: Some clocks have lights illuminating the inside of the clock case.

Carefully remove the paper sleeve from the light bulb before operating the light.

NOTE: To perform the following steps we suggest wearing cotton gloves or using a soft cloth when handling parts.

STEP 2 HANGING PENDULUM

Some pendulums have a colored protective plastic film covering the pendulum disc. Carefully remove this film before hanging the pendulum.

To hang the pendulum, locate the pendulum guide through the front door, or any of the side or back access panel locations. While holding the pendulum guide with one hand, slip the pendulum in through the front door with your other hand. Place the pendulum hook through the slot on the pendulum guide, and lower the pendulum until it is hanging securely on the pendulum guide. (See figure 10).

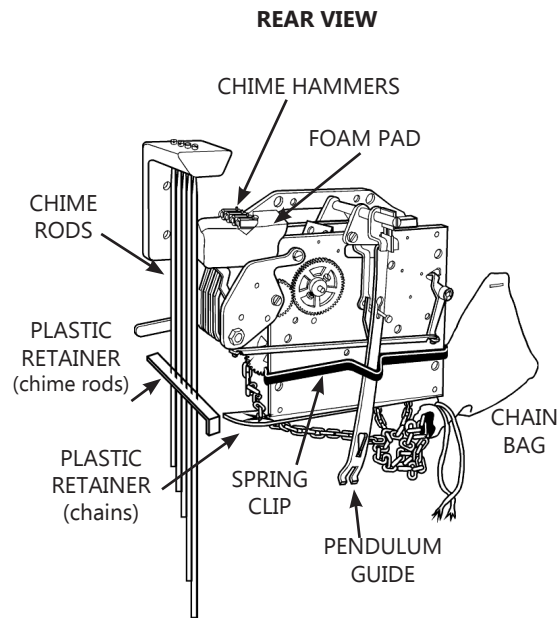


FIGURE 8

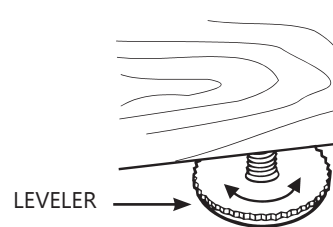


FIGURE 9

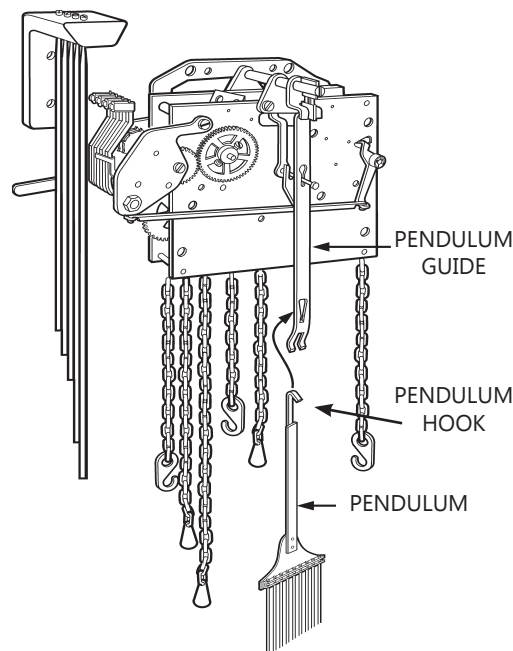


FIGURE 10

STEP 3 HANGING WEIGHTS

Most clocks use three weights. The bottom of each weight is labeled as to its proper hanging position as you view your clock from the front. The total weight of each weight is slightly different and each **WEIGHT MUST BE INSTALLED IN ITS CORRECT LOCATION FOR THE CLOCK TO OPERATE PROPERLY**. Check the weights to ensure that they are tightly assembled.

CAUTION: Ensure that each link of each chain is properly positioned on the teeth of the sprocket. Hang each weight on the solid hook at the end of the chain, never on the chain links. (See figure 11).

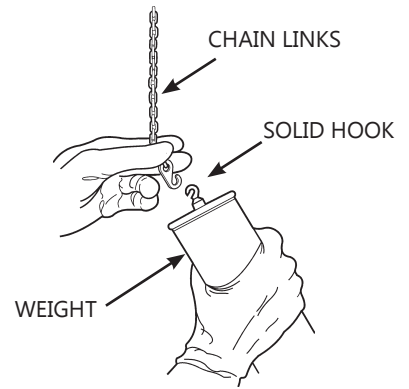


FIGURE 11

STEP 4 SETTING MOON DIAL (available on some models)

With your fingertips, apply slight pressure to the front of the moon dial and rotate the moon dial clockwise until the moon is directly below the #15 lunar day mark (each mark represents a lunar day) on the lunar arch (See figure 12).

If the moon dial will not rotate, see the Trouble Shooting Section.

Refer to an almanac or calendar and determine the date of the last full moon. Count the number of days past the last full moon. Rotate the moon dial clockwise 1 lunar day for every day past the full moon. Example: If the last full moon was 3 days ago, rotate the moon dial clockwise 3 lunar days so that the moon is centered at lunar day 18 on the lunar arch.

The moon dial is now set and will indicate the proper moon phases as long as the clock operates continuously. If the clock stops the moon dial will also stop and can be reset when the clock is started again.

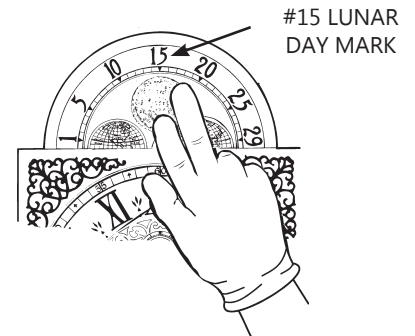


FIGURE 12

STEP 5 SETTING TIME (moving the hands)

To set the time, move **ONLY THE MINUTE HAND** counterclockwise (backwards) until hour and minute hand are at the correct time. (See figure 13).

DO NOT MOVE THE HOUR HAND WHEN SETTING THE TIME. This hand will move automatically when the minute hand is moved. By moving the minute hand counterclockwise it is not necessary to wait for the clock to chime as the minute hand passes each quarter hour. The movement has a self correcting feature which synchronizes the chimes with the time. If after setting the clock on time, it does not chime properly, permit it to operate 2 hours to correct itself.

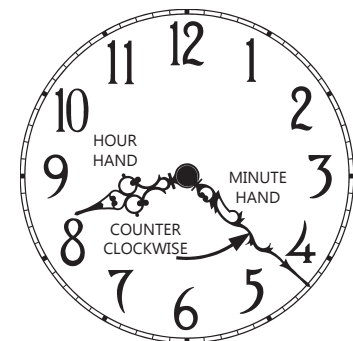


FIGURE 13

STEP 6 STARTING CLOCK

Reach through the front door of the clock and place your hand on the side of the pendulum disk.

Move the pendulum to the far left of center and release. Let the clock run a few minutes until the pendulum settles into an even swinging motion. (See figure 14).

If your clock gains or loses time after 24 hours, see General Information Section to regulate the timekeeping of your clock.

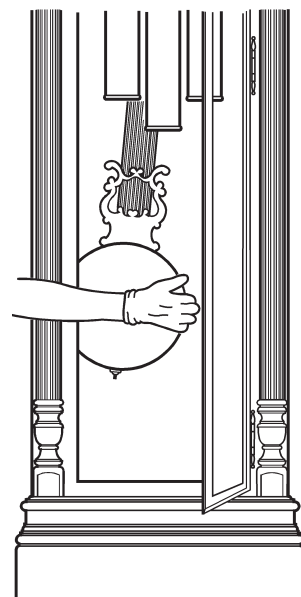


FIGURE 14

GENERAL INFORMATION

PRODUCT INFORMATION LABEL

The product information label identifies the clock model number and serial number. The clock model number and serial number are essential for obtaining parts or service. The product information label is located in several locations: outside the shipping carton, back of door, back of the clock, top of the clock, inside the top back corner of the clock, or inside the clock above the back of the dial. Refer to this label when contacting us or your dealer. For easy reference in the future, take a moment to record these numbers in the space provided in the Service Information Section (page 12.) Attach your sales receipt to this manual for future reference.

PRODUCT INFORMATION LABEL

MODEL#

SERIAL#

MOVING YOUR CLOCK

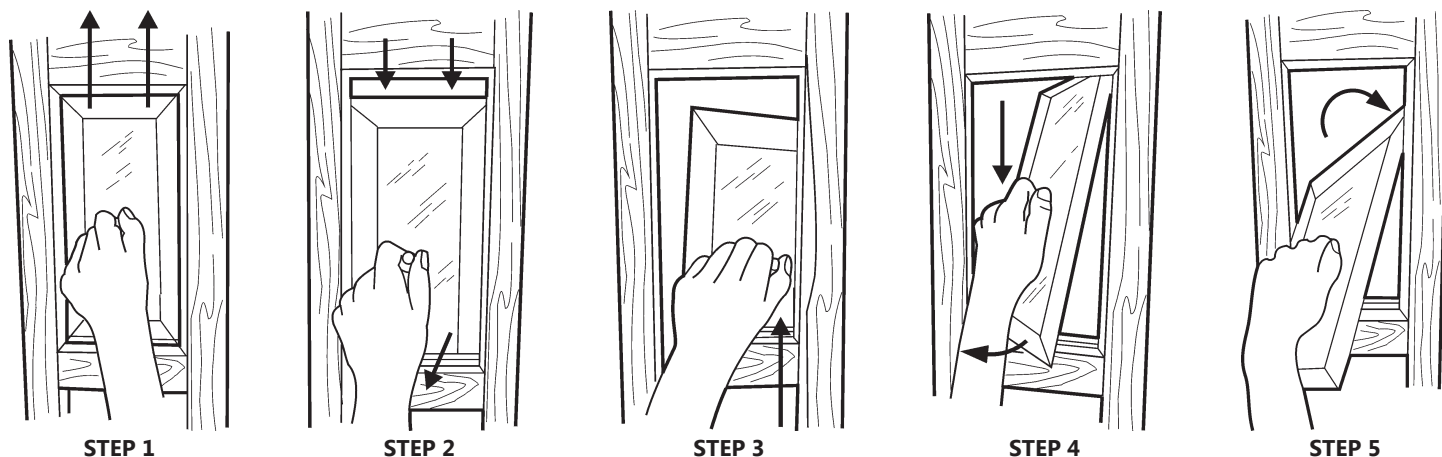
Care should be taken whenever you move your clock to insure that all accessory parts such as the pendulum and weights, are removed and packed properly to prevent damage. NEVER wind a cable drive movement without weights installed.

HOW TO REMOVE/INSTALL THE TOP SIDE PANELS FROM THE CLOCK

Your clock may have wood or glass top side panels. When removed, you have access to the clock movement and chime area. The panels may be held in place during shipment by tape or a plastic clip. In order to remove the panel, reach in through the front door and turn the plastic clip or remove the tape. Then follow these steps:

1. Grasp the wood slats or knob with the tips of your fingers. Be careful not to push on the grill cloth or glass as you might separate it from the wood top side panel.
2. Lift the top side panel up. It rests in a groove on the bottom edge.
3. Push the bottom edge of the top side panel toward the center of the case while at the same time, pull the top edge down and out of the groove in the top of the opening.
4. Tilt the top edge of the top side panel toward the case center.
5. Remove the top side panel from frame opening, bottom end first.

When installing wooden or glass top side panels reverse steps 1 thru 5.



GLASS FEATURES

Note that minor character marks are created by the glass making processes such as heat bending, cutting, or polishing. These character marks are visible to the eye. They are natural and are not considered as flaws.

When cleaning glass, use a non-ammonia glass cleaner. Never spray the cleaner directly on the clock.

RAISING WEIGHTS

The weights must be raised every seven (7) days or the clock will stop.

FLOOR CLOCK: Cables with pulleys

Weights that are suspended by cables with pulleys should be raised by using the crank provided. DO NOT lift the weights by hand while cranking. Insert the crank into the crank holes located in the dial face (See figure 15), and turn the crank counterclockwise. This will raise the weights.

FLOOR CLOCK: Chains

IMPORTANT: PULL STRAIGHT DOWN ON THE CHAIN.

DO NOT lift up on the weights as this could cause the weights to come unhooked from the chains. Pull down on the loose end of the chain until the weight is approximately 2" from the bottom of the wood movement mounting board. (See figure 16).

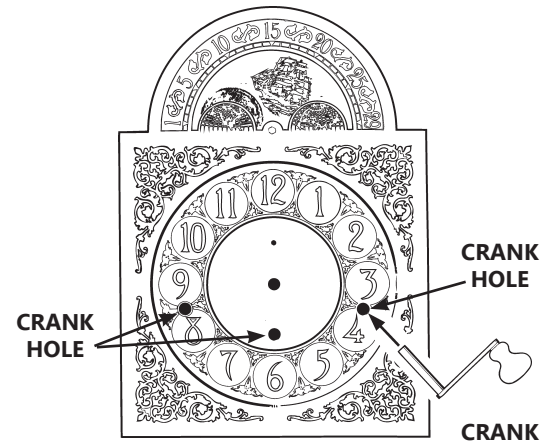


FIGURE 15

REGULATING TIMEKEEPING

Changing the speed of time keeping is accomplished by moving the pendulum disk up or down. The pendulum disk is moved up or down by turning the adjustment nut. To slow the clock down, move the pendulum disk down by turning the adjustment nut to the left.

To speed the clock up, move the pendulum disk up by turning the adjustment nut to the right. (See figure 17).

Day One

1. Select a time of day that will allow you to check your clock at the same time for at least six days.
2. Record time selected _____.
3. Check correct time.
4. Re-set the minute hand to the exact, correct time.

Day Two, Three, Four, Five, Six (If Necessary)

1. Check correct time.
2. Compare time shown on your clock with correct time. Is your clock fast or slow?
3. Turn the adjustment nut on the pendulum. One complete revolution equals approximately one half (1/2) minute fast or slow per day. (24 hours). Accurate time adjustment varies for every pendulum.
4. Check correct time.
5. Re-set the minute hand to exact, correct time.

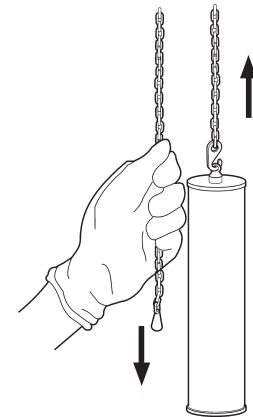


FIGURE 16

AUTOMATIC NIGHTTIME SHUT OFF (available on some models)

Some clock models feature an option which will automatically silence the chime and hour strike between the hours of 10:15 p.m. and 7:15 a.m. (Last chime at 10:00 p.m. and first chime at 7:15 a.m.). Use the lever on the left-hand side of the dial to select this option.

If your clock remains silent between 10:15 a.m. and 7:15 p.m., you need to re-set the clock hands back 12 hours. First, take the movement out of nighttime shutoff, then move the hands backwards 12 hours, rotate the minute hand (only) counterclockwise to the correct time.

ILLUMINATED CASES (available on some models)

Some clocks have lights illuminating the inside of the clock case. Carefully remove the paper sleeve from the light bulb before operating the light.

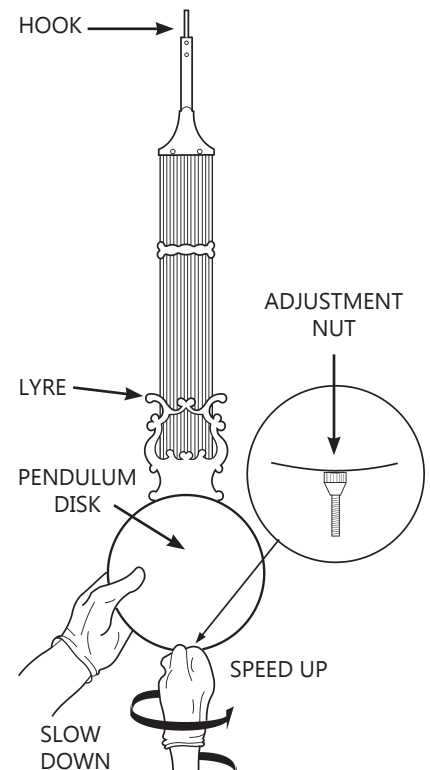


FIGURE 17

CHIME SELECTION

Selecting the chime melody is accomplished by a selection lever on the clock dial.

Some models play only the Westminster chime, while others give you a selection of three melodies. Some models also have an automatic chime sequencing feature. This feature allows the movement to automatically change the chime selection every hour. Selection of the chime sequencing feature or one of the three chime melodies is done with the selector lever.

If the dial states "Chime-Silent," your clock has only the Westminster chime. If your clock has a triple chime movement, the chime lever identifies the melody choices.

All floor clock movements have the Big Ben hour gong which will count the hour, on the hour. **DO NOT** attempt to move the chime selection lever while the clock is chiming. Doing so could damage the chime mechanism. See figure 18 for when it is safe to move the chime selection lever without damaging the movement.

CARE AND MAINTENANCE

Your clock requires little care and maintenance.

Listed below are steps you can take to maintain the exceptional quality of your clock.

- Wind your clock every seven (7) days.
- Keep the door locked.
- Wax and polish your clock cabinet as frequently as you do your other furniture. Use a non-silicone liquid or paste wax.
- Avoid exposing the clock to direct sunlight and protect from extreme temperatures and humidity changes. Prolonged exposure to direct sunlight may fade the finish while extreme temperature and humidity changes may cause the wood to split or crack.
- Check periodically to ensure that your clock rests firmly on all four levelers. This is especially important the first few months if the clock is on carpet. As the clock's feet settle into the carpet, it could become unbalanced. Adjustment to any of the four levelers may be needed.
- Check the weights occasionally to ensure that they are still tightly assembled.
- It is recommended that your clock movement be oiled every two (2) years from the date of purchase and thoroughly cleaned every five (5) to ten (10) years depending on climatic conditions. Extremely dry, humid or salty air, heat or cold may necessitate more frequent servicing. We do not recommend that you service the clock movement yourself. Contact an Authorized Service Center. (See Service Information Section)

TROUBLE SHOOTING

Ensure that all instructions provided with your product have been carefully followed. These instructions will provide detailed information to answer most questions. Contact our web site for a list of frequently asked questions that may conveniently resolve your problem or answer your questions.

DIFFICULTY ROTATING THE MOON DIAL

If the moon dial will not rotate (as described in the set up operations STEP 4), this may indicate that the gears which automatically advance the moon dial are engaged. To correct this situation, rotate the minute hand backward 3-1/2 hours as described in STEP 5 of the set up operation, set the moon dial, and then set the time as described in STEP 6.

CLOCK DOES NOT CHIME AT PROPER TIME

If the clock chimes more than one minute before or after the proper time, the minute hand should be removed and adjusted.

CAUTION: When performing this operation be careful not to scratch the hand nut, hand or dial.

MOVE CHIME SELECTION LEVER ONLY WHEN MINUTE HAND IS IN SAFE TIME AREA

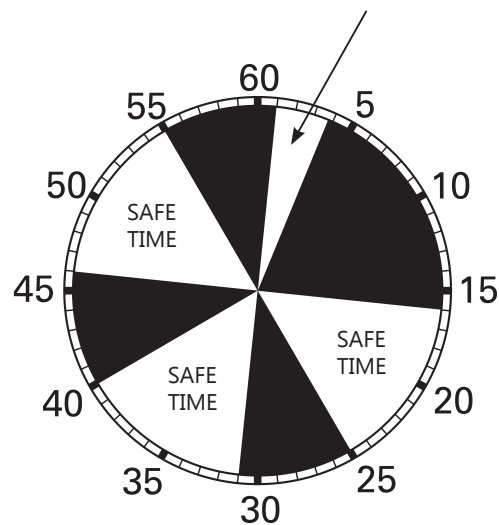


FIGURE 18

1. When the clock starts to chime, stop the pendulum and record the time.
2. Using pliers, carefully remove the small nut that holds the minute hand in place by turning the nut counterclockwise while at the same time hold the minute hand with your fingers near the small nut.
3. Remove the hand from the hand shaft by grasping it with your fingers at the point where it attaches to the shaft. Pull the hand straight off. This hand is not screwed on and should come off easily. The minute hand has a small raised area on the back side directly around the shaft hole, this is the hand bushing. Using pliers, grip the bushing firmly by its sides so that it cannot slip in the pliers. With your other hand, turn the clock hand forward or backward the distance necessary to chime at the correct time. (See figure 19).
4. Re-attach the hand to the shaft and turn the hand nut finger tight. Make sure the hand points to the correct location that you recorded in Step 1 plus any corrections you made in step 3. If the hand does not point to the correct mark, repeat steps 2 and 3.
5. Snug up the hand nut with the pliers. Do not over tighten.
6. Start pendulum.
7. Re-set the time by moving **ONLY THE MINUTE HAND** counterclockwise (backwards) as described in Step 5 of the set-up operation.

EXAMPLE: Clock chimes at 1:10 but should chime at 1:15.

Step 1: When clock chimes at 1:10 stop the pendulum and record the time of 1:10.

Step 2: Carefully remove the small nut. Step 3: Remove the minute hand. Grip the bushing by its sides and turn the hand forward 5 minutes. Step 4: Reattach the hand so it points to 1:15. Attach the hand nut finger tight. Step 5: Snug up the hand nut. Step 6: Start pendulum. Step 7: Reset clock to current time.

CLOCK DOES NOT STRIKE THE CORRECT HOUR

If after several hours of operation your clock does not strike the correct hour, grasp the **HOUR HAND ONLY** and move it forward or backward to line up with the correct hour on the dial indicated by the number of times the hour strikes. Rotating this hand independently will not damage the clock. If the minute hand needs to be reset (to correct time), move the minute hand counterclockwise (backwards) as described in Step 5: Setting Time.

CLOCK WILL NOT CHIME OR STRIKE

1. Make sure that the selection lever is not in the "silent" position or halfway between two chime melody positions?
2. Make sure that all the packing material is removed from the movement area.
3. Make sure that the weights are hanging in the correct location. Check the label on the bottom of each weight to ensure proper location.
4. For models with nighttime silencing, make sure that the clock is not in the nighttime silence mode. (Reference: See AUTOMATIC NIGHTTIME SHUT OFF OPTION in General Information Section).
5. Check hammer adjustment and correct chime tone as necessary.
6. Move the chime selection lever to a different melody or to "silent".
7. It is possible that the styrofoam blocks located above the cable pulleys are binding the cable. Carefully remove the styrofoam blocks by lifting the blocks straight up until they clear the cable pulley. Then gently push them back through the cables. Do not use tools to remove the blocks. Do not permit the cable to overlap on the drum.

CHIMES HAVE THE INCORRECT TONE

DO NOT ADJUST CHIME HAMMERS, unless the chime tone is incorrect. Chime tone may be affected by the hammers resting on the chime rods or striking the rods

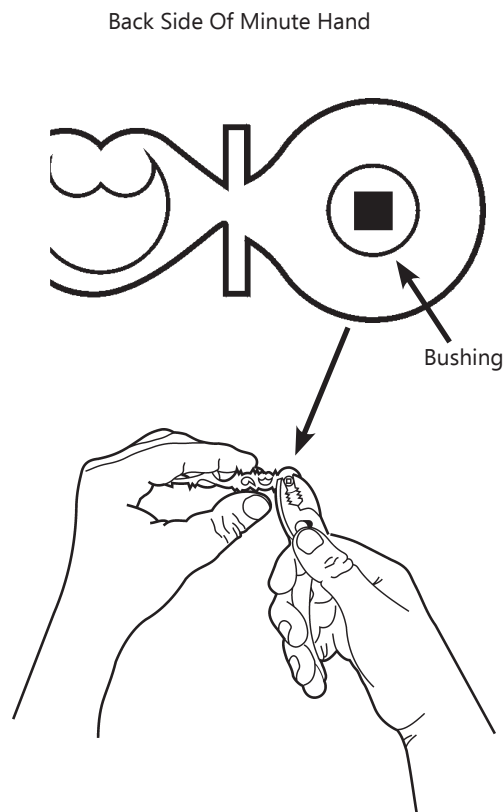


FIGURE 19

off center. Although the hammers were set at the factory, it is possible for them to get out of adjustment. For most clocks, it will not be necessary to adjust chime hammers. There are different types of chimes, (rods and tubes), please find yours below.

CHIME ROD hammer arms are made of brass and can be safely bent. If necessary, adjust hammers so that they do not interfere with each other while moving or striking the chime rods. This is accomplished by bending the hammer arms slightly in the middle so that each hammer rests approximately 1/8" from each rod. (See figure 20). **DO NOT** bend the chime rods. Chime volume cannot be adjusted on a chime rod movement.

CHIME TUBE hammer arms are made of spring steel; **DO NOT** bend the hammer arms.

The clarity of sound is determined by the distance between the hammer and the chime tube. This is typically 1/16". (See figure 21). However, this distance can be adjusted by loosening or tightening the thumb screw attached to the hammer string. (See figure 22). **Important:** If the tension is too strong or the string is too tight, it can cause the chime to stop during the chime process.

NOTE: The hammer tension screw is set at the factory, and is NOT adjustable.

WEIGHTS DO NOT DROP AT THE SAME LEVEL

When the automatic nighttime shutoff feature is selected, and on some models the "silent" feature, the center weight will drop at a faster rate than the other weights.

CLOCK WILL NOT RUN

Although it is not recommended that you repair your own clock, you should check these items before contacting us, your dealer, or an Authorized Service Center. (See Service Information Section.) Do not attempt any adjustment you do not feel confident in making.

1. Has all the packing material been removed from the movement area?
2. Has the pendulum guide spring clip been removed from the back of the movement?
3. Did you try re-starting your clock? Being "in beat" is necessary for your clock to keep running.
4. Are the weights hanging in the correct location? Check each weight bottom for proper location.
5. Is the pendulum hitting the weights or chime rods? If so, check the level and stability of the clock.
6. Is the clock level?
7. Has a pulley come off the cable or chain off the sprocket?
8. Do the hands operate without interference? Do not let the hour hand hit the second hand. If the second hand is rubbing the dial, pull it out slightly. If the hour hand is rubbing against the back of the minute hand, the hour hand should be pushed closer to the dial (put your thumb nails on the center portion of the hour hand and push).
9. Did you check the click spring on the back side of the moon dial?
10. Did you remove the styrofoam blocks before they became loose through normal operation? (typically occurs after eight (8) hours of run time)
11. Did you check the suspension spring? If it is damaged, it must be replaced. (See figure 23).
12. Is the verge pin properly located in the slots of the pendulum guide? If not, reposition the verge pin. (See figure 23).
13. It is possible that the styrofoam blocks located above the cable pulleys are binding the cable. Carefully remove the styrofoam blocks by lifting the blocks straight up until they clear the cable pulley. Then gently push them back through the cables. Do not use tools to remove the blocks. Do not permit the cable to overlap on the drum.

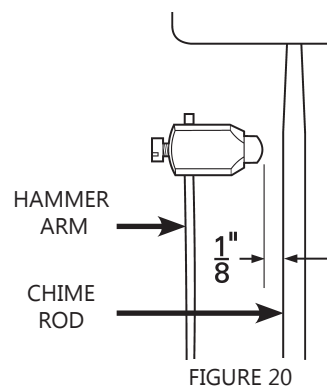


FIGURE 20

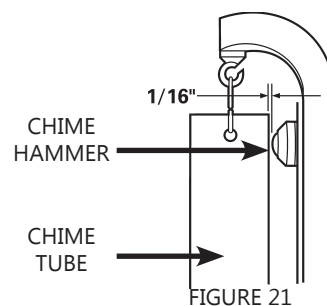


FIGURE 21

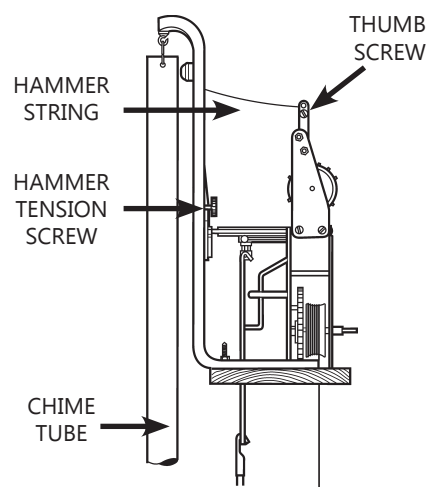


FIGURE 22

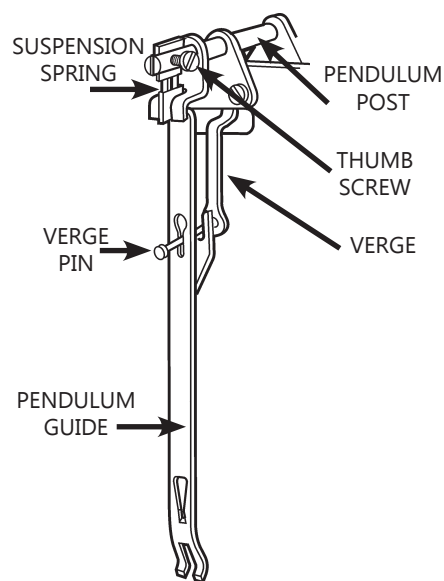


FIGURE 23

LIMITED WARRANTY

Warranty

This warranty is our promise and commitment that our products have been manufactured using the finest materials and have been thoroughly inspected prior to being shipped from our facilities.

Floor clocks are warranted to the original consumer or recipient to be free from manufacturing defects in materials and workmanship under normal use, conditions and service from the date of purchase for a period of 2 Years.

This warranty does not include: damage to product or components resulting from abuse, accident, alteration, or climatic/environmental conditions; damage resulting from normal wear and tear, misuse, or unauthorized repair; natural variations in wood grain or changes in surface finishes due to aging or exposure to light. The company's obligation under this warranty shall be limited to repairing the product or component, or at its option, replacing it with a new product or component.

A copy of the sales receipt or other comparable proof of original purchase is required to obtain warranty service. Some states do not allow the exclusion or limitation of incidental or consequential damages or the limitation on how long an implied warranty lasts so the above limitations or exclusions may not apply to you. This warranty gives you specific legal rights and you may also have other rights which vary from state to state.

Freight Damage

By accepting our product for shipment, the carrier acknowledges that the product is in First Class condition. By signing (or someone else signing on your behalf) to accept the shipment, you acknowledge that the product has been received in the same First Class condition as shipped. If the carton is crushed or otherwise damaged, instruct the driver to note the damage on the freight bill and file a claim immediately with the carrier. For your protection, we suggest that you inspect all merchandise at the time of delivery, before signing the Bill-of-Lading. When you or your representative signs without noting any damage, shortages or exceptions, you accept and own the merchandise, as delivered.

Concealed Freight Damage

Report any damage directly to the carrier immediately. Some carriers require damage to be reported within as little as 2-3 days of the delivery. Should damage be discovered after delivery, you (the consignee) are responsible for filing a written Concealed Damage Claim with the carrier, requesting the carrier to make an inspection and create a damage report. Filing this claim is your responsibility, however, we will help you with the process and act as your advocate in reaching a satisfactory resolution with the carrier.

THE COMPANY DISCLAIMS ANY LIABILITY FOR INCIDENTAL OR CONSEQUENTIAL DAMAGES ARISING OUT OF BREACH OF THIS WARRANTY OR ANY IMPLIED WARRANTY. IMPLIED WARRANTIES ON THIS PRODUCT SHALL BE IN EFFECT ONLY FOR THE DURATION OF THE EXPRESS WARRANTY SET FORTH ABOVE AND THEREAFTER, THERE SHALL BE NO WARRANTIES, EXPRESS OR IMPLIED, (INCLUDING MERCHANTABILITY OR FITNESS FOR ANY PARTICULAR PURPOSE), ON THIS PRODUCT.

SERVICE INFORMATION

In the unlikely event that your product appears to be malfunctioning or requires repair within the warranty period, please contact your retailer or the company who provided the item if it was an award. They will be your first resource for information regarding your warranty and service options.

If your floor clock is more than two years old from the date of purchase or receipt as an award, your product is no longer under the manufacturer's warranty. Support for products that are no longer under warranty is available through the "Help Center" at www.ridgewayclocks.com.

We recommend that you carefully read and follow all instructions provided with your Ridgeway product before pursuing service. These instructions will provide detailed information to answer most questions.

To find additional information regarding your product, to order parts or to find a service center, please go to the "Help Center" located at www.ridgewayclocks.com. The "Help Center" also has links to product manuals, instructions, videos and frequently asked questions.

Before contacting your retailer, award provider or a service center, please have the following information available. The model number and serial number can be found on the Product Information Label which is normally on the back or bottom of the product.

Model Number: _____ Serial Number: _____
Date Purchased: _____ Where Purchased: _____

If your floor clock was shipped directly to you, it is your responsibility to report freight loss or damage to the carrier and your retailer or award provider. If the carton indicates signs of "visible damage", instruct the driver to note the damage on the freight bill. If damage is found after the item has been delivered, notify your retailer or award provider and the carrier immediately. Many carriers require notification within 2 days. Failure to notify the carrier within their required time frame may waive your rights to a damage claim and you may be liable for the damage.

MINOR ADJUSTMENTS NOT COVERED UNDER WARRANTY

The following minor adjustments are not covered under this warranty. Repair service and/or parts to correct these adjustments are at the consumer's expense.

1. "Set-Up". Set-Up instructions have been provided with your product.
2. Mechanical Movement Oiling and Cleaning. The movement in your clock is a mechanical mechanism, and therefore, requires periodic oiling and cleaning depending on climatic and environmental conditions. Under normal conditions a movement requires oiling with high quality clock oil approximately every two years from the date of purchase. Please contact a qualified clock repair person or Authorized Service Center for this service.
3. Replacement of Suspension Spring; Pendulum, Timing, and Chime/Strike Hammer Adjustments. Instructions for these adjustments have been provided in this publication.

IMPORTANT SAFETY INSTRUCTIONS
for Electrical Furnishings

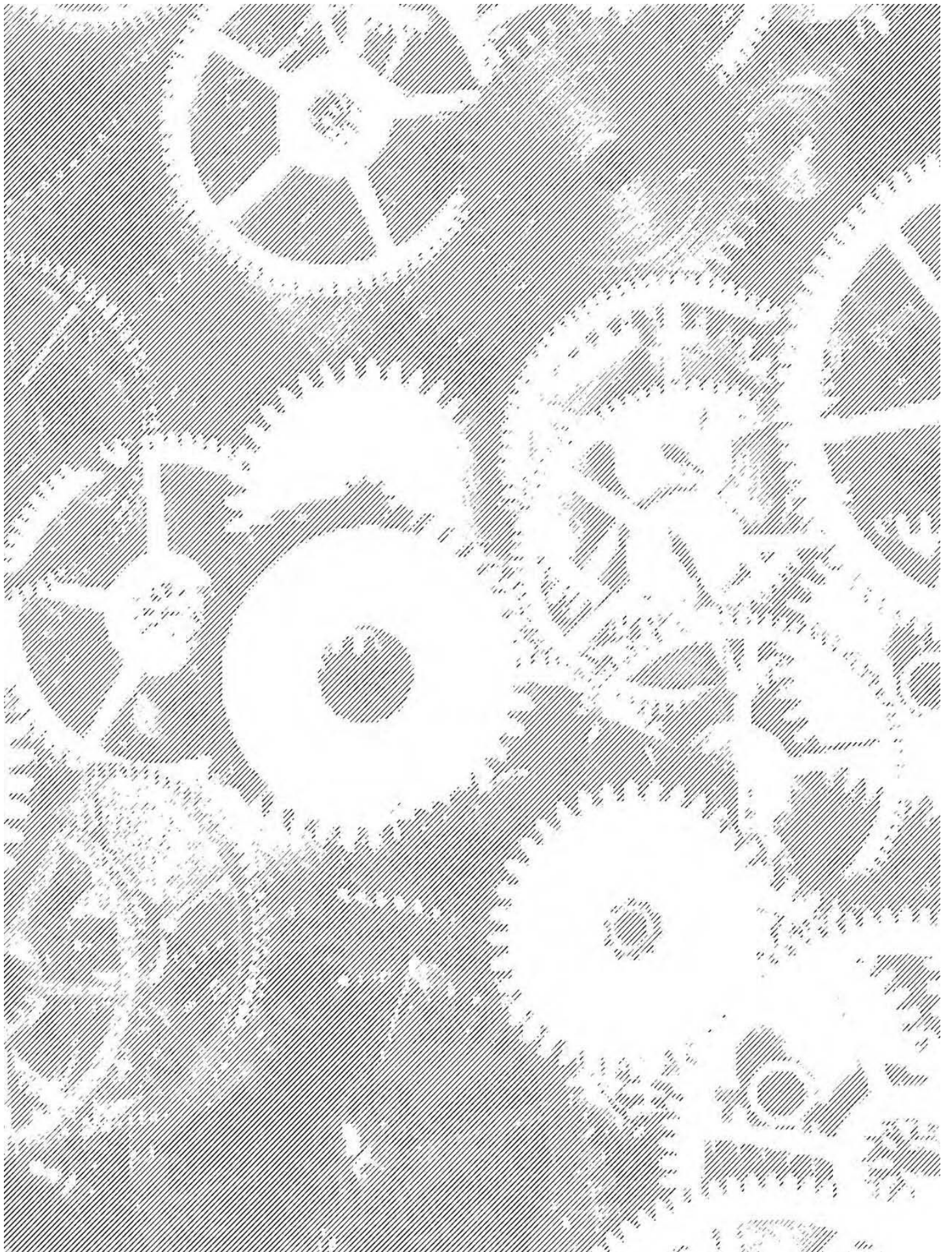
Read all instructions before using this product.

WARNING - To reduce the risk of burns, fire, electric shock, or injury to persons, basic precautions should always be followed when using electrical furnishings, including the following:

- a) Unplug from outlet before cleaning or pulling on parts or taking off parts.
- b) Close supervision is required when this furnishings is used by or near children, handicapped or disabled persons.
- c) Use this furnishing only for its intended use as described in its instructions. Do not use attachments not recommended by the manufacturer.
- d) Never operate this furnishing if it has a damaged cord or plug, if it is not working properly, if it has been dropped or damaged, or dropped into water. Return the furnishing to a service center for examination and repair.
- e) Keep cord away from heated surfaces.
- f) Never operate the furnishing with the air openings blocked. Keep the air openings free of lint, hair, and the like.
- g) Never drop or insert any object into any opening.
- h) Do not use outdoors.
- i) Do not operate where aerosol (spray) products are being used or where oxygen is being administered.
- j) To disconnect, turn all controls to the off position, then remove plug from outlet.
- k) For grounded products - connect this furnishing to a properly grounded outlet only.
- l) For loading - always put heavier items at the bottom and not near the top in order to help prevent the possibility of the furnishing tipping over.

WARNING- Risk of injury to Persons - do not use this furnishing to support video equipment such as televisions or computer monitors.

SAVE THESE INSTRUCTIONS



OPERACIÓN BÁSICA DEL RELOJ DE PIE

En el corazón de cada reloj de pie se encuentra el movimiento. El mecanismo controla la hora, la indicación sonora de la hora en punto, y la melodía o carillón.

El péndulo pesas ofrece la habilidad de regular y ajustar la marcación de la hora. Siguiendo las instrucciones contenidas en este manual, los ajustes al péndulo para lograr la marcación de la hora correcta son realmente fáciles.

Las tres pesas generan la energía necesaria para la indicación sonora de la hora en punto (pesa izquierda), la hora (pesa central), y la melodía o carillón (pesa derecha). Sin estas tres pesas, el reloj no funcionaría. Cada pesa es diferente y debe ser correctamente colgada del mecanismo (izquierda, central y derecha) para asegurar la operación adecuada. Las pesas se cuelgan del mecanismo por medio de un cable o una cadena. Las pesas deben ser elevadas cuando menos una vez por semana, o el reloj se parará. La elevación de las pesas accionadas por cables requiere de una manija. La elevación de las pesas accionadas por cadena se logra al jalar hacia abajo el lado libre de la cadena.

Los sonidos de la indicación de la hora en punto y de la melodía se crean cuando una serie de martillos golpea barras de diferente longitud. Cada barra suena diferente cuando le da el martillo. Las melodías específicas se logran al controlar la secuencia en que los martillos golpean a las barras.

INFORMACIÓN IMPORTANTE

- Sírvase tomar un momento para anotar en el espacio suministrado en la página 35 de la sección de Información de Servicio, el número de modelo del reloj, así como su número de serie.
- La etiqueta de información del producto le indica tanto el modelo del reloj como su número de serie. Ambos (número del modelo y número de serie) son esenciales para obtener refacciones o servicio. Esta etiqueta de información del producto se puede encontrar en varios lugares: afuera de la caja de envío, detrás de la puerta, detrás del reloj, arriba del reloj, o dentro del reloj arriba y detrás de la carátula. Refiérase a esta etiqueta cuando poniéndose en contacto con nosotros o su distribuidor.
- Agregue su recibo o factura a este manual para referencia futura y anote la información que aparece en la Etiqueta de Información del Producto, según se indica en la página 25.
- Sírvase guardar los elementos originales de empaque que se usaron para enviar su reloj de pie.

FONCTIONNEMENT DE BASE D'UNE HORLOGE DE PARQUET

Le mouvement est au coeur de toute horloge de parquet. C'est lui qui contrôle la sonnerie des heures et le carillon et qui tient compte du temps. Le pendule et les poids sont des composants essentiels du mouvement et de son fonctionnement.

Le pendule offre la possibilité de régulariser et de régler le mouvement. Comme le décrivent ces instructions, les différents réglages du pendule permettant d'obtenir un compte précis sont faciles à effectuer.

Les trois poids fournissent l'alimentation à la sonnerie (poids gauche), à l'heure (poids central) et au carillon (poids droit). Sans eux, l'horloge ne peut fonctionner. Chacun est différent et doit être suspendu correctement au mouvement (à gauche, au centre et à droite) à l'aide d'un câble ou d'une chaîne pour assurer le bon fonctionnement. Ils doivent être relevés au moins tous les sept jours pour empêcher l'arrêt de l'horloge. L'élévation des poids entraînés par câble se fait à l'aide d'une manivelle. Celle des poids entraînés par chaîne se fait en tirant l'extrémité libre vers le bas.

Le son de la sonnerie et du carillon est produit par une série de marteaux frappant des tiges de différentes longueurs. Chacune émet un son particulier. Les mélodies sont obtenues en contrôlant la séquence de frappe.

RENSEIGNEMENTS IMPORTANTS

- Prenez un moment pour enregistrer le numéro de modèle et le numéro de série de l'horloge dans l'espace prévu à cet effet dans la section d'informations pour le dépannage, page 36.
- L'étiquette de renseignements sur le produit indique les numéros de modèle et de série de l'horloge. Ces derniers sont absolument nécessaires pour obtenir des pièces ou une réparation. L'étiquette peut se trouver à différents endroits : à l'extérieur du carton d'expédition, derrière la porte, au dos de l'horloge, sur le dessus de celle-ci, dans le coin supérieur du fond de l'horloge ou dans celle-ci, au-dessus du dos du cadran. Faites allusion à cette étiquette en nous contactant ou votre commerçant.
- Attachez le reçu à ce manuel pour référence ultérieure et enregistrez les renseignements de l'étiquette d'identification du produit, comme indiqué page 26.
- Gardez tout le conditionnement d'origine de l'horloge.

WIE EINE STANDUHR FUNKTIONIERT

Das Herzstück jeder Standuhr ist das Uhrwerk. Das Uhrwerk bestimmt den Stundenschlag, die Zeitmessung und den Viertelschlag. Das Pendel und die Gewichte sind wichtige Bestandteile für das exakte Funktionieren des Uhrwerks.

Das Pendel macht das Regulieren und Einstellen der Zeitmessung möglich. In diesen Anleitungen ist beschrieben, wie Sie das Pendel ganz leicht zur akkuraten Zeitmessung einstellen können.

Die drei Gewichte treiben den Stundenschlag (linkes Gewicht), die Zeit (Mittelgewicht) und die Melodie des Gongs (rechtes Gewicht) an. Ohne diese Gewichte würde die Uhr nicht funktionieren. Jedes Gewicht ist verschieden und muß zum exakten Laufen der Uhr an dem Uhrwerk richtig aufgehängt werden (links, Mitte, rechts). Die Gewichte sind entweder mit einem Drahtseil oder einer Kette an dem Uhrwerk eingehängt. Die Gewichte müssen mindestens alle 7 Tage nach oben gezogen werden, damit die Uhr nicht stehenbleibt. Gewichte mit Seilzug werden mit einer Kurbel, d.h. dem Aufziehschlüssel nach oben gezogen. Gewichte mit Kettenantrieb werden nach oben gezogen, indem man das freie Ende der Kette nach unten zieht.

Der Stunden- und der Viertelstundenschlag werden von einer Reihe von Hammern erzeugt, die Gongstäbe verschiedener Länge anschlagen. Jeder der Stäbe gibt einen anderen Ton von sich, wenn sie von einem Hammer angeschlagen wird. Besondere Gongmelodien werden erzeugt, indem man die Reihenfolge bestimmt, in der jeder Hammer die entsprechenden Stäbe anschlägt.

WICHTIGE INFORMATION

- Nehmen Sie sich bitte einen Augenblick Zeit und tragen Sie die Modell- und Seriennummer der Uhr im Abschnitt „Service-Informationen“ auf Seite 38 ein.
- Das Produktinformationsetikett zeigt die Modell- und Seriennummer der Uhr an. Diese Nummern sind für den Service und den Erhalt von Ersatzteilen äußerst wichtig. Das Etikett für Produktinformation kann an verschiedenen Stellen angebracht sein: außen auf dem Versandkarton, an der Rückseite der Tür, an der Rückseite der Uhr, oben auf der Uhr, in der oberen hinteren Ecke der Uhr oder im Innern der Uhr auf der Rückseite des Ziffernblatts. Beziehen Sie sich auf dieses Etikett, wenn Sie sich mit uns oder Ihrem Händler in Verbindung setzen.
- Fügen Sie den Belegschein diesem Handbuch für spätere Bezugnahme bei und tragen Sie die Informationen vom Produktinformationsetikett entsprechend den Angaben auf Seite 26 ein.
- Bewahren Sie die Originalverpackung der Standuhr bitte auf.

CONTENIDO

RELOJ DE PIE: CABLE

Información Importante	15
Para Armar Su Reloj	17
Para Colocar el Péndulo	17
Para Colocar las Pesas	19
Para Ajustar el Movimiento de la Luna	19
Para Poner la Hora	19
Para Accionar el Péndulo	19

RELOJ DE PIE: CADENA

Para Armar Su Reloj	21
Para Colocar el Péndulo	21
Para Colocar las Pesas	23
Para Ajustar el Movimiento de la Luna	23
Para Poner la Hora	23
Para Accionar el Reloj	23

INFORMACION GENERAL

Etiqueta de Información de Producto	25
Para Trasladar Su Reloj	25
Para Instalar o Retirar el Panel Superior Lateral	25
Características del Vidrio	25
Para Elevar las Pesas	27
Para Regular la Marcación del Tiempo	27
Opción de Silenciador Nocturno Automático	27
Selección de Melodía o Carillón	29
Cuidado y Mantenimiento	29

EN CASO DE QUE EXISTAN PROBLEMAS

Si No Gira el Movimiento de la Luna	29
Si Su Reloj No Suena Cuando Debe	31
Si Su Reloj No Indica la Hora Correcta	31
Si Su Reloj No Indica la Hora Audiblemente	31
Para Ajustar los Martillos	33
Si Su Reloj No Funciona	33

GARANTIA LIMITADA	35
------------------------------------	-----------

INFORMACION DE SERVICIO	35
--	-----------

TABLE DES MATIÈRES

HORLOGE : CÂBLE

Renseignements importants	15
Montage de l'horloge	18
Suspension du pendule	18
Suspension des poids	20
Réglage du cadran des phases lunaires	20
Réglage de l'heure	20
Mise en marche de l'horloge	20

HORLOGE : CHAÎNE

Montage de l'horloge	22
Suspension du pendule	22
Suspension des poids	24
Réglage du cadran des phases lunaires	24
Réglage de l'heure	24
Mise en marche de l'horloge	24

GÉNÉRALITÉS

Étiquette de renseignements sur le produit	26
Déplacement de l'horloge	26
Installation et retrait des panneaux latéraux supérieurs	26
Caractéristiques du verre	26
Élévation des poids	28
Régularisation de l'heure	28
Option d'assourdissement automatique la nuit	28
Sélection des mélodies	30
Soins et entretien	30

DÉPANNAGE

Le cadran des phases lunaires ne tourne pas	30
Le carillon ne joue pas à la bonne heure	32
L'horloge ne sonne pas à la bonne heure	32
Le carillon ou la sonnerie ne fonctionnent pas	32
Les poids ne tombent pas également	34
L'horloge ne fonctionne pas	34

GARANTIE LIMITÉE	36
-----------------------------------	-----------

SERVICE	36
--------------------------	-----------

INHALTSVERZEICHNIS

STANDUHR: DRAHTSEIL

Wichtige Information	15
Das Aufstellen Ihrer Uhr	18
Pendel aufhängen	18
Gewichte anhängen	20
Mondziffernblatt einstellen	20
Zeit einstellen	20
Die Uhr starten	20

STANDUHR: KETTE

Das Aufstellen Ihrer Uhr	22
Pendel aufhängen	22
Gewichte anhängen	24
Mondziffernblatt einstellen	24
Zeit einstellen	24
Die Uhr starten	24

ALLGEMEINE INFORMATION

Etikett mit Produktinformation	26
Ihre Uhr beim Umzug	26
Das Installieren/Entfernen der oberen	26
Seitentüren	26
Glas Merkmale	26
Gewichte hochziehen	28
Zeitmessung regulieren	28
Automatisches Abstellen des Tons bei Nacht	28
Melodienauswahl	30
Pflege und Wartung	30

PROBLEME LÖSEN

Mondziffernblatt Lasst sich nicht drehen	30
Gong schlägt nicht zur richtigen Zeit	32
Uhr schlägt nicht die richtige Stunde	32
Melodie und Stundenschlag funktionieren nicht	32
Hammer für den Gong justieren	34
Uhr läuft nicht	34

GARANTIE	37
---------------------------	-----------

SERVICE-INFORMATION	37
--------------------------------------	-----------

SIGA ESTOS SEIS PASOS PARA ARMAR RELOJES QUE REQUIEREN PESAS SUSPENDIDAS DE UN CABLE

**PASO 1
PARA ARMAR SU RELOJ**

En el fondo del cartón de envío se encuentra una caja. Esta caja contiene: a) una llave para la puerta de su reloj, b) una manija con la cual le dará cuerda a su reloj, y c) pesas que operan el mecanismo del reloj. Además de estos artículos, dentro de la caja de envío del reloj encontrará el péndulo empacado por separado.

Acerque el reloj a donde lo piense colocar.



AVISO: ASEGURESE DE QUE EL RELOJ QUEDE EN UNA PARTE FIRME EN EL PISO PARA QUE NO CORRA RIESGO DE CAERSE. AJUSTE LOS NIVELADORES PARA MAXIMA ESTABILIDAD Y ALINEAMIENTO.

El acceso al mecanismo del reloj, los cables y las barras de carillón puede ser de tres maneras: a través de la(s) puerta(s) frontal(es), por medio de los paneles superiores (o puertas laterales en algunos relojes), o por la puerta de acceso de atrás. Los paneles superiores se encuentran sujetos por adentro por medio de cinta adhesiva, la cual se puede retirar de allí permanentemente. Refiérase a la sección de Información General en la página 25 para las instrucciones con respecto a la instalación de los paneles superiores.

Retire el forro de cartón, que rodea las varillas de repique y la guía del péndulo, para esto agarre el forro por los puntos 'A' y 'B' y sáquelo hacia abajo manteniéndolo recto. Retírelo hasta dejar libres los extremos de las varillas de repique y la guía del péndulo. (Ver figura 1).

Retire los protectores de espuma entre los martillos de repique y las varillas de repique. Evite con cuidado que se doblen los martillos de repique. Luego de retirar el forro de cartón los martillos de repique podrán moverse con libertad, lo cual permite retirar con facilidad los protectores de espuma.

NO RETIRE LOS EMPAQUES DE ESPONJA que están arriba de las poleas. Este es uno de los puntos críticos al armar su reloj. El retirar los empaques de esponja ahora podría ocasionar que los cables se enreden y se detenga el movimiento. Usted puede quitar los bloques de espuma de poliestireno DESPUES que ellos llegan a ser flojos por la operación normal, que ocurre típicamente después que ocho (8) horas de corre tiempo.

Posicione el reloj en su destino final. Ya estando en su lugar, el gabinete debe ser nivelado, ya que existe la posibilidad de que el reloj no funcione si no está nivelado. Existen cuatro (4) niveladores debajo del gabinete, uno en cada esquina. Estos pueden ser enroscados hacia adentro (para subir) o hacia afuera (para bajar), permitiendo el ajuste necesario. Coloque un nivel horizontalmente y verticalmente, y ajuste los niveladores hasta quedar nivelado. Tal vez sea necesario revisar la nivelación periódicamente (sobre todo si el reloj se encuentra sobre alfombra), ya que puede asentarse después de la nivelación original. (Ver figura 2). Asegúrese de que el reloj se encuentre firmemente posicionado sobre el piso, para que no se caiga.

Cajas iluminadas: algunos relojes tienen luces que iluminan el interior de la caja del reloj. Quite con cuidado el papel de la bombilla ANTES de usar la luz.

NOTA: Para los siguientes pasos, recomendamos que utilice guantes de algodón, o una tela de material suave, al tocar las diferentes piezas.

**PASO 2
PARA COLGAR EL PENDULO**

Algunos péndulos tienen una capa protectora de plástico que cubren el disco del péndulo. Tenga cuidado al remover este plástico antes de colgar el péndulo.

Para colgar el péndulo, encuentre la guía del péndulo a través de cualquiera de los paneles de acceso. Mientras sostiene la guía del péndulo con una mano, introduzca el péndulo por la puerta con la otra mano. Coloque el gancho en la parte superior del péndulo, encima del pasador, o a través de la ranura de la guía, y baje el péndulo hasta que éste quede colgando de la guía del péndulo. (Ver figura 3).

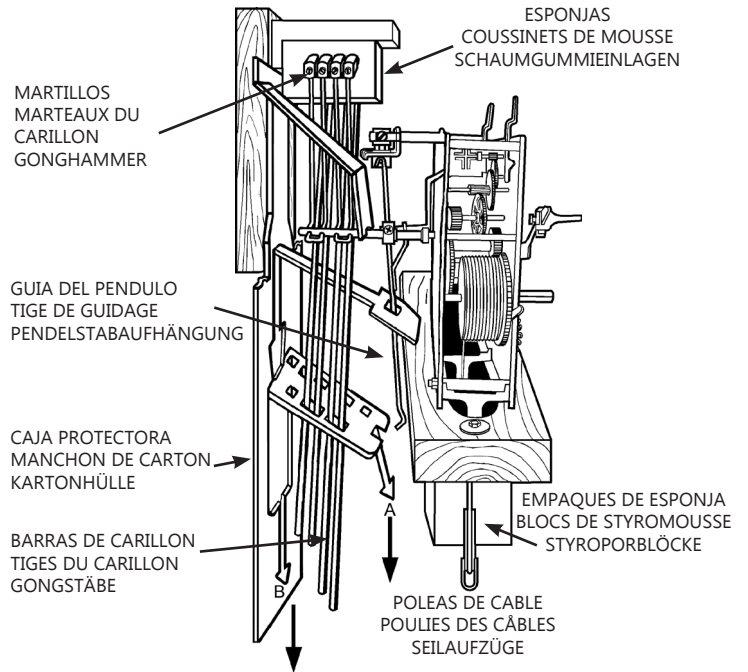


FIGURA 1
FIGURE 1
ABBILDUNG 1

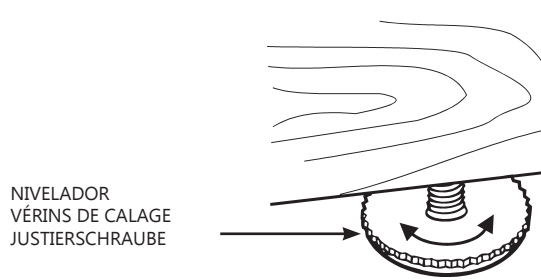


FIGURA 2
FIGURE 2
ABBILDUNG 2

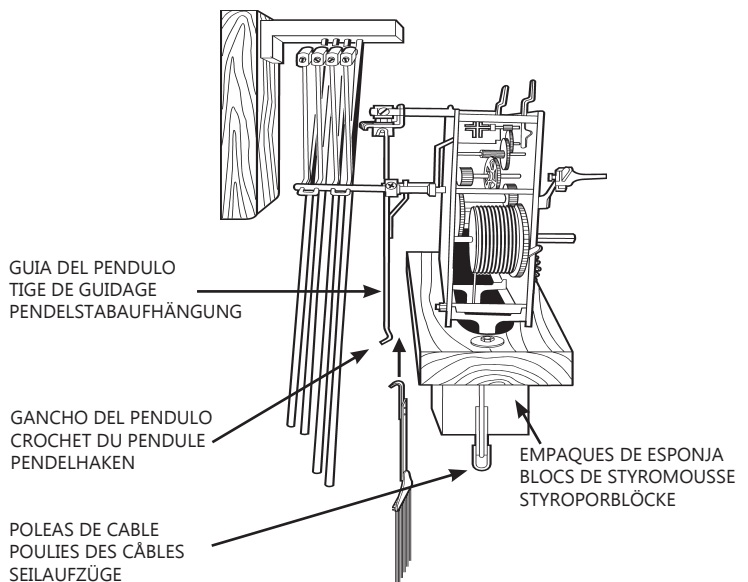


FIGURA 3
FIGURE 3
ABBILDUNG 3

SUIVEZ CES SIX ÉTAPES POUR MONTER LES HORLOGES DONT LES POIDS SONT SUSPENDUS À L'AIDE D'UNE POULIE ET D'UN CÂBLE

ÉTAPE 1 MONTAGE DE L'HORLOGE

Il y a une boîte au fond du carton d'expédition. Cette boîte contient : a) une clé pour la porte de l'horloge; b) une manivelle pour la remonter et; c) des poids pour actionner le mouvement. Vous y trouverez également le pendule emballé dans une boîte de carton distincte.

Placez l'horloge près de son emplacement définitif.



ATTENTION : ASSUREZ-VOUS QUE L'HORLOGE EST SOLIDEMENT CALÉE LE SUR PLANCHER POUR ÉVITER QU'ELLE NE RENVERSE. RÉGLEZ LES VÉRINS DE CALAGE POUR DONNER UNE STABILITÉ MAXIMALE ET UN ALIGNEMENT ADÉQUAT.

Il existe trois façons d'accéder au mouvement, au carillon et aux câbles de l'horloge : par les portes avant; par les panneaux latéraux supérieurs (ou portes latérales sur certaines horloges); ou par le panneau d'accès arrière. Les panneaux latéraux supérieurs sont retenus de l'intérieur à l'aide de ruban collant ou d'une attache de plastique. On peut faire pivoter cette dernière; le ruban peut être retiré de façon permanente. Reportez-vous à la section Généralités, à la page 26, pour vous familiariser avec les instructions d'installation et de retrait de ces panneaux.

Retirez le manchon de carton qui entoure les tiges du carillon et le guide du pendule, en tenant le manchon aux points « A » et « B », puis en tirant bien droit. Tirez complètement jusqu'à ce que les tiges et le guide soient complètement dégagés (consultez la Figure 1).

Retirez les tampons de mousse placés entre les marteaux et les tiges du carillon. Prenez soin de ne pas plier les marteaux du carillon. Ces derniers peuvent se déplacer librement dès que le manchon de carton est retiré, ce qui facilite le retrait des tampons de mousse.

NE RETIREZ PAS LES BLOCS DE STYROMOUSSE se trouvant au-dessus des poulies. Il s'agit d'un point essentiel du montage. Les câbles peuvent se chevaucher et coincer le mouvement si les blocs de mousse de polystyrène sont enlevés maintenant. Vous pouvez enlever les blocs de polystyrène APRES ils deviennent détachés par l'opération normale, qui arrive typiquement après huit (8) les heures de temps de course.

Placez l'horloge à l'endroit voulu en ayant soin de mettre la caisse à niveau. À défaut, l'horloge risque de ne pas fonctionner. Les quatre (4) vérins de calage se trouvant sous la caisse, aux quatre coins, peuvent être vissés ou dévissés pour effectuer ce réglage. Placez un niveau le long de la caisse, de l'avant vers l'arrière et d'un côté à l'autre en réglant les vérins. Il peut s'avérer nécessaire de vérifier périodiquement le nivelage de la caisse après l'installation initiale (en particulier si l'horloge se trouve sur un tapis ou une carquette) puisqu'elle peut se rassembler (figure 2). Assurez-vous que l'horloge est solidement calée sur le plancher pour éviter qu'elle ne renverse.

Boîtiers éclairés : Certaines horloges possèdent des éclairages à l'intérieur de leur boîtier. Retirez soigneusement le manchon de papier de l'ampoule AVANT d'allumer.

REMARQUE : Pour exécuter les pas suivants nous suggérons de porter des gants cotonniers ou utiliser du tissu mou en manipulant des parties.

ÉTAPE 2 SUSPENSION DU PENDULE

Certains pendules sont recouverts d'un film de plastique protecteur de couleur. Retirez-le avant de suspendre le pendule, le cas échéant.

Pour suspendre le pendule, identifiez la tige de guidage en regardant par la porte avant ou par l'un des panneaux arrière ou latéraux. Tenez la tige d'une main et insérez le pendule par la porte de l'horloge à l'aide de l'autre main. Placez le crochet du pendule par-dessus la goupille ou dans la fente de la tige et abaissez-le pour qu'il y soit solidement suspendu (figure 3).

BEFOLGEN SIE DIESE SECHS SCHRITTE ZUM AUFSTELLEN VON UHREN MIT GEWICHTEN, DIE AN SEILROLLEN UND DRAHTSEIL AUFGEHÄNGT SIND

SCHRITT 1 DAS AUFSTELLEN IHRER UHR

Auf dem Boden des Versandkartons finden Sie eine Schachtel. Diese Schachtel enthält: a) einen Schlüssel für Ihre Uhrentüre, b) eine Kurbel zum Aufziehen Ihrer Uhr und c) Gewichte, die das Uhrwerk antreiben. In dem Versandkarton befindet sich ebenfalls das Uhrenpendel in einem separaten Karton verpackt.

Rücken Sie die Uhr in die Nähe ihres endgültigen Standorts.



VORSICHT: VERGEWISSERN SIE SICH, DASS DIE UHR GERADE UND FEST AUF DEM BODEN STEHT, DAMIT SIE NICHT UMFÄLLT. STELLEN SIE DIE JUSTIERSCHRAUBEN AUF MAXIMALE STABILITÄT UND JUSTIERUNG EIN.

Zugang zu dem Uhrwerk, dem Gong und den Drahtseilen ist auf dreierlei Weise möglich: durch die Vordertüre(n), durch die oberen Seitenpaneele (oder Seitentüren für manche Modelle) oder durch das rückwärtige Zugangspaneel. Die oberen Seitenpaneele sind innen mit einem Klebeband oder einer Plastikklammer befestigt. Die Plastikklammer kann gedreht oder das Band kann permanent entfernt werden. Bitte sehen Sie in dem Abschnitt "Allgemeine Information" auf Seite 26 nach genauen Anweisungen für das Entfernen und Installieren der oberen Seitenpaneele nach.

Entfernen Sie die Kartonomhüllung von den Gongstäben und der Pendelführung. Halten Sie hierzu die Kartonomhüllung an den Punkten A und B fest und ziehen Sie den Karton von den Gongstäben und der Pendelführung gerade herunter (siehe Abbildung 1).

Nehmen Sie die Schaumstoffpolster zwischen den Gonghämmern und -stäben heraus. Gehen Sie bitte vorsichtig vor, um die Gonghämmer nicht zu verbiegen. Die Gonghämmer liegen nach dem Entfernen der Kartonomhüllung frei, sodass sich die Schaumstoffpolster leicht herausnehmen lassen.

Die sich oberhalb der Seilauzugsrollen befindenden **STYROPORBLÖCKE NICHT ENTFERNEN**. Dies ist einer der kritischsten Punkte während des gesamten Aufstellens. Wenn Sie die Styroporblöcke jetzt schon entfernen, können sich die Seile überschneiden und damit das Uhrwerk blockieren. Sie können die Styroporblöcke herausnehmen, **NACHDEM** sie locker durch normalen Betrieb werden, der typisch nach acht (8) Stunden der Laufzeit stattfindet.

Rücken Sie die Uhr an ihren endgültigen Standort. In dieser Position muß Ihr Ihre Uhr ganz genau justiert werden, weil die Uhr sonst vielleicht nicht richtig läuft. An der Unterseite des Uhrgehäuses befinden sich in jeder Ecke vier (4) Justierschrauben, die zum Justieren hinauf- oder heruntergeschraubt werden können. Legen Sie an das Gehäuse von vorn nach hinten und von Seite zu Seite eine Wasserwaage an und verstellen Sie die Justierschrauben bis das Uhrgehäuse genau im Lot ist. Es kann sein, daß Sie den Stand Ihres Uhrenschanks nach dem anfänglichen Aufstellen von Zeit zu Zeit überprüfen müssen (vor allen Dingen, wenn die Uhr auf einem Teppichboden steht), da sich die Uhr nach dem ursprünglichen Justieren etwas senken könnte. (Siehe Abbildung 2). Vergewissern Sie sich, daß die Uhr genau im Lot steht, damit sie nicht umfallen kann.

Beleuchtete Gehäuse: Einige Uhren sind mit Lampen ausgestattet, die das Innere des Uhrgehäuses beleuchten. Vor einem Betätigen der Lampe sollte die Papierhülle vorsichtig von der Glühbirne abgenommen werden.

HINWEIS: um Die folgenden Schritte durchzuführen, schlagen wir vor, Baumwollhandschuhe zu tragen oder einen weichen Stoff zu verwenden, wenn wir Teile behandeln.

SCHRITT 2 PENDEL AUFHÄNGEN

Bei manchen Pendeln ist die Pendelscheibe mit einer farbigen plastikfolie geschützt. Entfernen Sie diese Plastikfolie sorgfältig, ehe Sie das Pendel aufhängen.

Zum Aufhängen des Pendels suchen Sie zunächst nach der Pendel stab auf hängung durch die Vordertüre oder einem der Panele an der Seite, bzw. Rückseite. Während Sie die Pendelstabaufhängung mit der einen Hand halten, führen Sie das Pendel mit der anderen Hand durch die Vordertüre. Bringen Sie den Pendelhaken auf der Pendelstütze oder durch den Schlitz in der Pendelverlängerung an und lassen Sie das Pendel herab, bis es sicher an der Pendelverlängerung eingehängt ist. (Siehe Abbildung 3).

**PASO 3
PARA COLGAR LAS PESAS**

No **QUITE LOS BLOQUES de ESPUMA DE POLIESTIRENO** hasta que después de su reloj haya estado operando. Usted puede quitar los bloques de espuma de poliestireno **DESPUES QUE** ellos llegan a ser flojos por la operación normal, que ocurre típicamente después que ocho (8) horas de corre tiempo.

La mayoría de los relojes utilizan tres pesas. En la parte de abajo de cada pesa se encuentra marcada la posición en la que debe colgar la pesa, al mirar el reloj de frente. El peso total de cada pesa es ligeramente distinta a las demás, **y CADA PESA DEBE SER COLOCADA EN SU POSICION CORRECTA PARA QUE EL RELOJ OPERE CORRECTAMENTE.** Revise las pesas para asegurarse de que estén debidamente enroscadas.

Asegúrese también de que el cable esté en la polea. Cuelgue las pesas en la polea. (Ver figura 4).

**PASO 4
AJUSTE DE LA ESFERA LUNAR (disponible en algunos modelos)**

Con la punta de sus dedos, aplique algo de presión en la parte frontal de la esfera lunar y gire ésta en sentido horario hasta que la luna quede completamente debajo de la marca del día lunar #15 (cada marca representa un día lunar) sobre el arco lunar (Vea la figura 5).

Si la esfera lunar no gira, vea la Sección Detección de Fallas.

Busque en un almanaque o calendario y consiga la fecha de la última luna llena. Cuente el número de días que han pasado desde la última luna llena. Gire la esfera lunar en sentido horario 1 día lunar por cada día transcurrido desde la luna llena.

Ejemplo: Si la última luna llena ocurrió hace 3 días, gire la esfera lunar en sentido horario 3 días lunares, de manera que la luna quede centrada en el día lunar 18 en el arco lunar.

Ahora ya quedó ajustada la esfera lunar e indicará las fases lunares en forma correcta siempre que el reloj funcione continuamente. Si el reloj se detiene entonces también lo hará la esfera lunar y habrá que configurarla nuevamente cuando el reloj funcione de nuevo.

**PASO 5
PARA PONER LA HORA (moviendo las manecillas del reloj)**

PRECAUCION CON MECANISMOS DE SECUENCIA DE CARILLON AUTOMATICOS: La selección del carillón no debe estar en la posición "Auto" al mover las manecillas. El mover las manecillas en cualquier dirección mientras éste se encuentre activado, puede causar daño al mecanismo.

TENGA CUIDADO AL MOVER LAS CARACTERÍSTICAS DE CAMBIO DE DIA Y NOCHE: La palanca de cambio Día/Noche debe estar en posición de repique (completamente elevada) cuando mueva las manillas.

Para poner la hora, mueva **UNICAMENTE EL MINUTERO** hacia atrás, hasta que ambas manecillas indiquen la hora correcta. (Ver figura 6). **NO MUEVA LA MANECILLA DE LA HORA AL PONER LA HORA.** Esta manecilla se moverá automáticamente al mover la otra. Al mover el minuterero hacia atrás, no es necesario esperar a que el reloj marque sonoramente cada cuarto de hora. (Ver figura 6). El mecanismo cuenta con un sincronizador interno que se ajusta con la hora. Si al poner la hora el carillón no se encuentra sincronizado, permita que opere 2 horas, durante el cual se corregirá automáticamente.

**PASO 6
PARA PONER EN MARCHA SU RELOJ**

Introduzca su mano a través de la puerta de enfrente, colocándola a un lado del disco del péndulo.

Mueva el péndulo hacia el extremo izquierdo, y suéltelo. Deje que opere el reloj algunos minutos hasta que el péndulo tenga su propio ritmo. (Ver figura 7).

Si luego de veinticuatro (24) horas su reloj se adelanta o se atrasa, vea la Sección de Información General para regular el cronometraje de su reloj.

Luego de que su reloj haya funcionado durante veinticuatro (24) horas cuando menos, retire los empaques de esponja levantándolos hasta apartarlos de la polea del cable. Después empújelos suavemente hacia atrás, a través de los cables. No utilice instrumentos para quitar los bloques. No permita que el cable superpongase en el tambor.

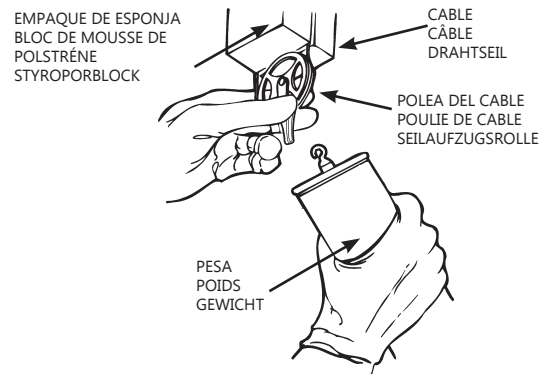


FIGURA 4
FIGURE 4
ABBILDUNG 4

MARCA DEL DIA LUNAR #15
MARQUE DU 15e JOUR LUNAIRE
MARKIERUNG FÜR DEN 15. MONDTAG

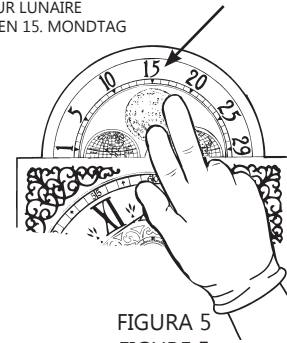


FIGURA 5
FIGURE 5
ABBILDUNG 5

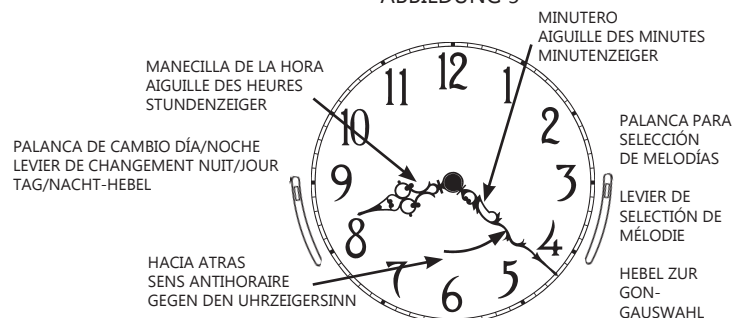


FIGURA 6
FIGURE 6
ABBILDUNG 6

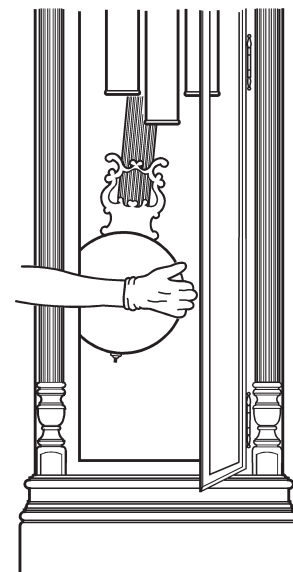


FIGURA 7
FIGURE 7
ABBILDUNG 7

ÉTAPE 3 SUSPENSION DES POIDS

Ne PAS ENLEVER LES BLOCS DE POLYSTYRENE jusqu'après votre horloge a fonctionné. Vous pouvez enlever les blocs de polystyrène APRES ils deviennent détachés par l'opération normale, qui arrive typiquement après huit (8) les heures de temps de course.

La plupart des horloges fonctionnent au moyen de trois poids. La base de chacun porte une étiquette identifiant sa position lorsqu'on est face à l'horloge. Le poids total de chacun est légèrement différent. Chacun DOIT ÊTRE INSTALLÉ AU BON ENDROIT POUR PERMETTRE À L'HORLOGE DE FONCTIONNER CORRECTEMENT. Vérifiez que les poids sont solidement assemblés.

Assurez-vous que le câble est inséré dans la poulie. Suspendez les poids à la poulie (figure 4).

ÉTAPE 4 RÉGLAGE DU CADRAN LUNAIRE (sur certains modèles seulement)

Du bout des doigts, exercez une faible pression sur le devant du cadran lunaire, puis faites-le tourner dans le sens horaire jusqu'à ce que la lune soit juste au-dessus de la marque du 15e jour lunaire (chaque marque correspond à un jour lunaire) sur l'arche de la lune (consultez la Figure 5).

Si le cadran lunaire ne tourne pas, consultez la section Dépannage.

En consultant un almanach ou un calendrier, déterminez la date de la dernière pleine lune. Comptez ensuite le nombre de jours écoulés depuis la dernière pleine lune.

Faites tourner le cadran lunaire dans le sens horaire d'un jour pour chaque jour écoulé depuis la dernière pleine lune.

Exemple : Si la dernière pleine lune a eu lieu il y a trois jours, faites tourner le cadran lunaire dans le sens horaire de trois jours, de façon que la lune soit centrée sur la marque du 18e jour lunaire sur l'arche de la lune.

Le cadran lunaire est maintenant réglé et indiquera les phases appropriées de la lune tant que l'horloge fonctionnera. Si l'horloge devait s'arrêter, le cadran lunaire ferait de même et devrait être réglé de nouveau lors du redémarrage de l'horloge.

ÉTAPE 5 RÉGLAGE DE L'HEURE (déplacement des aiguilles)

ATTENTION AUX DÉPLACEMENTS D'AIGUILLE LORSQUE LE CARILLON EST EN MODE AUTOMATIQUE : Le levier de sélection des mélodies ne doit pas être en position (Auto) (automatique) lorsqu'on déplace les aiguilles dans un sens comme dans l'autre puisque ceci risquerait d'endommager le mécanisme du carillon.

FAITES PREUVE D'UNE GRANDE PRUDENCE DANS TOUT MOUVEMENT LIÉ AUX FONCTIONS DE CHANGEMENT NUIT/JOUR

Le levier de changement Nuit/Jour doit être en position d'attaque (complètement vers le haut) pour déplacer les aiguilles.

Pour régler l'heure, déplacez **SEULEMENT L'AIGUILLE DES MINUTES** dans le sens contraire des aiguilles d'une montre (à l'envers) jusqu'à ce que les deux aiguilles indiquent la bonne heure (figure 6). **NE DÉPLACEZ PAS L'AIGUILLE DES HEURES POUR RÉGLER L'HEURE.** Celle-ci se déplace automatiquement lorsque celle des minutes bouge. Le fait de tourner dans le sens antihoraire empêche d'avoir à attendre la fin du carillon lorsque l'aiguille passe les quarts d'heure (figure 6). Le mouvement comprend un dispositif d'autocorrection qui synchronise le carillon avec le temps. S'il ne joue pas correctement après avoir réglé l'heure, laissez-le fonctionner pendant deux heures pour qu'il se corrige lui-même.

ÉTAPE 6 MISE EN MARCHÉ DE L'HORLOGE

Ouvrez la porte avant de l'horloge et placez la main d'un côté de la lentille du pendule.

Ramenez le pendule à l'extrême gauche et relâchez-le. Laissez l'horloge fonctionner pendant quelques minutes, jusqu'à ce que le pendule commence à se balancer de façon uniforme (figure 7).

Si l'horloge prend de l'avance ou du retard après 24 heures de fonctionnement, consultez le réglage dans la section des Renseignements généraux.

Quand l'horloge a fonctionné pendant au moins 24 heures, enlevez les blocs de mousse de polystyrène. Pour cela, soulevez chaque bloc tout droit jusqu'à ce qu'il passe la poulie des câbles. Ensuite, poussez-le doucement à travers les câbles. Pas les outils d'usage pour enlever les blocs. Ne pas permettre le câble pour chevaucher sur le tambour.

SCHRITT 3 GEWICHTE ANHÄNGEN

NEHMEN Sie DIE STYROPOR BLÖCKE NICHT HERAUS, bis nach Ihrer Uhr bedient hat. Sie können die Styroporblöcke herausnehmen, **NACHDEM** sie locker durch normalen Betrieb werden, der typisch nach acht (8) Stunden der Laufzeit stattfindet.

Die meisten Uhren haben drei Gewichte. Die Unterseite jedes Gewichts ist für ihre korrekte Hängeposition in der Uhr, von vorn gesehen, markiert. Das Gesamtgewicht eines jeden Gewichts ist etwas verschieden und jedes **GEWICHT MUSS IN SEINER KORREKTEN POSITION INSTALLIERT SEIN, DAMIT DIE UHR PRÄZISE LÄUFT.** Überprüfen Sie die Gewichte, um sicher zu sein, daß sie richtig installiert sind.

Überprüfen Sie, daß sich das Drahtseil in der Seilführungsrolle befindet. Hängen Sie die Gewichte an die Seilführung an. (Siehe Abbildung 4).

SCHRITT 4 EINSTELLEN DER MONDPHASENANZEIGE (nur bei bestimmten Modellen erhältlich)

Drücken Sie mit den Fingern leicht auf die Vorderseite der Mondscheibe und drehen Sie diese im Uhrzeigersinn, bis sich der Mond direkt unterhalb der Markierung für den 15. Montag befindet (jede Markierung des Mondbogens repräsentiert einen Montag) (siehe Abbildung 5).

Wenn sich die Mondscheibe nicht drehen lässt, schauen Sie bitte im Abschnitt Fehlersuche nach.

Ermitteln Sie mit Hilfe eines Almanachs oder Kalenders das Datum des letzten Vollmonds. Zählen Sie die Tage seit dem letzten Vollmond. Drehen Sie die Mondscheibe im Uhrzeigersinn um die Anzahl von Markierungen weiter, die den Tagen seit dem letzten Vollmond entspricht. Beispiel: Wenn der letzte Vollmond vor 3 Tagen war, drehen Sie die Mondscheibe um 3 Montage nach rechts, so dass der Mond direkt auf dem 18. Montag des Mondbogens steht.

Die Mondphasenanzeige ist damit eingestellt und zeigt die richtigen Mondphasen an, solange die Uhr kontinuierlich läuft. Wenn die Uhr stehen bleibt, hält auch die Mondscheibe an. In diesem Fall muss sie neu eingestellt, wenn die Uhr wieder in Gang gesetzt wird.

SCHRITT 5 ZEIT EINSTELLEN (die Zeiger bewegen)

VORSICHT BEI UHRWERKEN MIT AUTOMATISCHER GONGSEQUENZ: Der Hebel zur Gongauswahl darf nicht in der "Auto"-Position sein, wenn Sie die Zeiger bewegen. Wenn Sie die Zeiger im oder gegen den Uhrzeigersinn bewegen während die automatische Gongsequenz angestellt ist, beschädigen Sie den Mechanismus des Gongs.

VORSICHT BEI GEHWERKEN MIT TAG-/NACHTSCHALTFUNKTION: Der Tag/Nacht-Hebel muss sich beim Bewegen der Zeiger in der Schlagposition (ganz oben) befinden.

Um die Zeit einzustellen, bewegen Sie **NUR DEN MINUTENZEIGER** gegen den Uhrzeigersinn (rückwärts) bis Stunden- und Minutenzeiger die richtige Zeit anzeigen. (Siehe Abbildung 6). **DREHEN SIE NICHT DEN STUNDENZEIGER, WENN SIE DIE ZEIT EINSTELLEN.** Der Stundenzeiger wird sich automatisch mitbewegen, wenn der Minutenzeiger bewegt wird. Indem Sie den Minutenzeiger gegen den Uhrzeigersinn bewegen, brauchen Sie nicht auf das Schlagen der Uhr zu warten, während der Minutenzeiger an jeder Viertelstunde vorbeigeführt wird. (Siehe Abbildung 6). Das Uhrwerk hat einen sich selbst korrigierenden Mechanismus, der das Schlagen des Gongs mit der Uhrzeit synchronisiert. Wenn der Gong nach dem Einstellen der Uhr nicht richtig schlägt, lassen Sie die Uhr 2 Stunden laufen, um sich von selbst zu korrigieren.

SCHRITT 6 UHR STARTEN

Greifen Sie durch die Vordertüre der Uhr und legen Sie Ihre Hand auf die Seite der Pendelscheibe.

Bewegen Sie das Pendel von der Mitte aus weit nach links oder rechts und lassen Sie los. Lassen Sie die Uhr ein paar Minuten laufen, bis sich das Pendel in eine gleichmäßig schwingende Bewegung einspielt. (Siehe Abbildung 7).

Wenn Ihre Uhr nach vierundzwanzig (24) Stunden an Zeit gewinnt oder verliert, sehen Sie im Abschnitt „Allgemeine Informationen“ nach, wie Sie die Zeitmessung Ihrer Uhr regulieren können.

Nachdem die Uhr mindestens vierundzwanzig (24) Stunden gelaufen ist, entfernen Sie die Styroporblöcke, indem Sie den Block gerade nach oben heben, bis er von der Seilauzugsrolle gelöst ist, und schieben Sie den Block dann vorsichtig durch die Drahtseile nach hinten. Benutzen Sie Werkzeuge nicht, die Blöcke herauszunehmen. Nicht lässt zu, dass das Kabel auf der Trommel überlappt.

SIGA ESTOS SEIS PASOS PARA ARMAR RELOJES QUE REQUIEREN PESAS SUSPENDIDAS DE UNA CADENA

**PASO 1
PARA ARMAR SU RELOJ**

En el fondo del cartón de envío se encuentra una caja. Esta caja contiene: a) una llave para la puerta de su reloj, b) pesas que operan el mecanismo del reloj. Además de estos artículos, dentro de la caja de envío del reloj encontrará el péndulo empacado por separado.

Acerque el reloj a donde lo piense colocar.

⚠ AVISO: ASEGURESE DE QUE EL RELOJ QUEDE EN UNA PARTE FIRME EN EL PISO PARA QUE NO CORRA RIESGO DE CAERSE. AJUSTE LOS NIVELADORES PARA MAXIMA ESTABILIDAD Y ALINEAMIENTO.

El acceso al mecanismo del reloj, las cadenas y las barras de carillón puede ser de tres maneras: a través de la(s) puerta(s) frontal(es), por medio de los paneles superiores (o puertas laterales en algunos relojes), o por la puerta de acceso de trasera. La puerta de acceso de atrás se fija por medio de un resorte de plástico. Gire los resortes superiores para poder quitar la puerta de acceso. Los paneles superiores se encuentran sujetos por adentro por medio de cinta adhesiva, la cual se puede retirar de allí permanentemente. Refiérase a la sección de Información General para las instrucciones con respecto a la instalación de los paneles superiores.

Retire el retenedor de plástico de la barra sonora, inclinando y haciendo desplazar con cuidado el retenedor hasta los extremos de las barras sonoras. Retire las almohadillas de espuma que se encuentran entre los martillos y las barras sonoras. Debe tener cuidado para evitar doblar los martillos y las barras sonoras.

Las cadenas fueron empacadas en una bolsa que se encuentra cerca del mecanismo del reloj. Jale la bolsa y corte el hilo con unas tijeras. Permita que las cadenas cuelguen libremente.

PRECAUCIÓN: tenga mucho cuidado de no tirar las cadenas por el mecanismo del reloj ni de los engranes al quitar el retenedor de plástico de las cadenas. Remueva el retenedor de plástico, deslizándolo hacia abajo hasta quitarlo de las cadenas.

Retire el sujetador de resorte de la parte de atrás del mecanismo, jalando primeramente de un lado para dejarlo libre. (Ver figura 8).

Posicione el reloj en su destino final. Ya estando en su lugar, el gabinete debe ser nivelado, ya que existe la posibilidad de que el reloj no funcione si no está nivelado. Existen cuatro (4) niveladores debajo del gabinete, uno en cada esquina. Estos pueden ser enroscados hacia adentro (para subir) o hacia afuera (para bajar), permitiendo el ajuste necesario. Coloque un nivel horizontalmente y verticalmente, y ajuste los niveladores hasta quedar nivelado. Tal vez sea necesario revisar la nivelación periódicamente (sobre todo si el reloj se encuentra sobre alfombra), ya que puede asentarse después de la nivelación original. (Ver figura 9). Asegúrese de que el reloj se encuentre firmemente posicionado sobre el piso, para que no se caiga.

Cajas iluminadas: algunos relojes tienen luces que iluminan el interior de la caja del reloj. Quite con cuidado el papel de la bombilla ANTES de usar la luz.

NOTA: Para los siguientes pasos, recomendamos que utilice guantes de algodón, o una tela de material suave, al tocar las diferentes piezas.

**PASO 2
PARA COLGAR EL PENDULO**

Algunos péndulos tienen una capa protectora de plástico que cubren el disco del péndulo. Tenga cuidado al remover este plástico antes de colgar el péndulo.

Para colgar el péndulo, localice la guía del péndulo a través de la puerta frontal, o cualquier otro panel de acceso. Mientras sostiene la guía del péndulo con una mano, introduzca el péndulo por la puerta con la otra mano. Coloque el gancho en la parte superior del péndulo, encima del pasador, o a través de la ranura de la guía, y baje el péndulo hasta que éste quede colgando de la guía del péndulo. (Ver figura 10).

**VISTA DE ATRAS
VUE ARRIÈRE
RÜCKANSICHT**

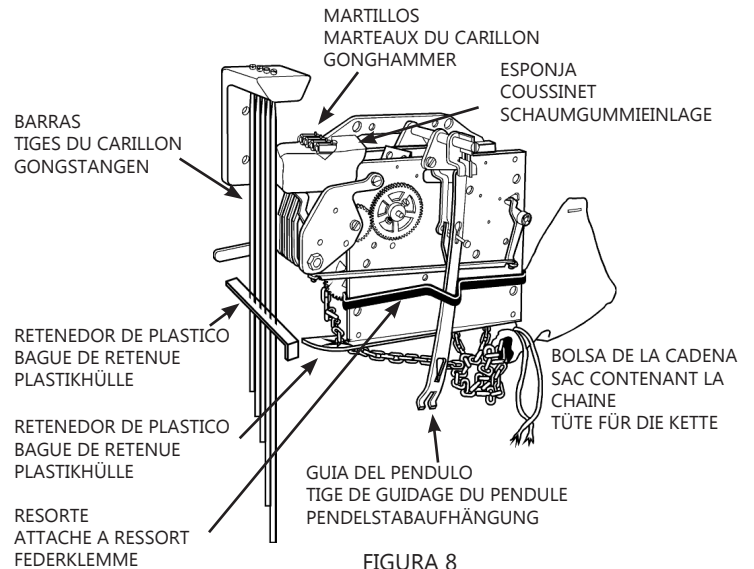


FIGURA 8
FIGURE 8
ABBILDUNG 8

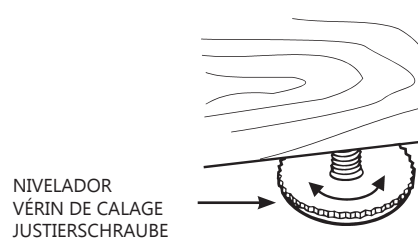


FIGURA 9
FIGURE 9
ABBILDUNG 9

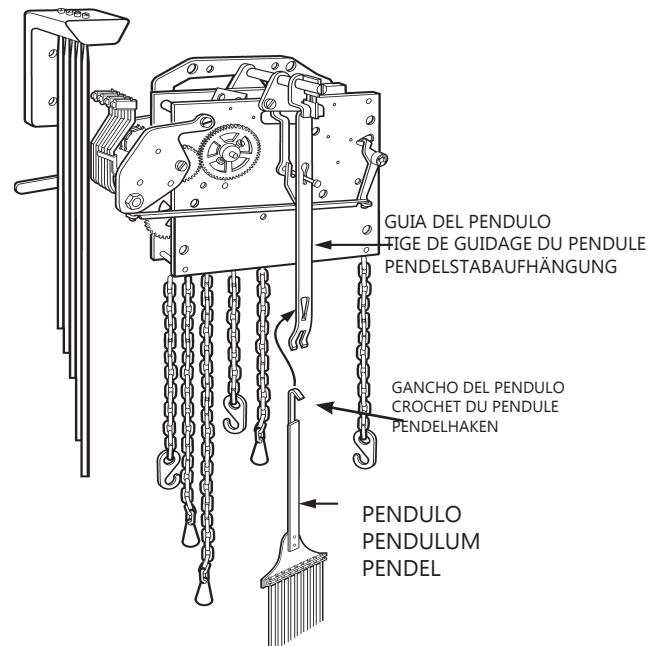


FIGURA 10
FIGURE 10
ABBILDUNG 10

SUIVEZ CES SIX ÉTAPES POUR MONTER LES HORLOGES DONT LES POIDS SONT SUSPENDUS À L'AIDE D'UNE CHAÎNE

ÉTAPE 1 MONTAGE DE L'HORLOGE

Il y a une boîte au fond du carton d'expédition. Cette boîte contient : a) une clé pour la porte de l'horloge et; b) des poids pour actionner le mouvement. Vous y trouverez également le pendule emballé dans une boîte de carton distincte.

Placez l'horloge près de son emplacement définitif.



ATTENTION : ASSUREZ-VOUS QUE L'HORLOGE EST SOLIDEMENT CALÉE LE SUR PLANCHER POUR ÉVITER QU'ELLE NE RENVERSE. RÉGLEZ LES VÉRINS DE CALAGE POUR DONNER UNE STABILITÉ MAXIMALE ET UN ALIGNEMENT ADÉQUAT.

Il existe trois façons d'accéder au mouvement, au carillon et aux chaînes : par les portes avant; par les panneaux latéraux supérieurs; par le panneau d'accès arrière. Ce dernier est retenu à l'aide d'attaches de plastique. Faites tourner celles du haut pour retirer le panneau. Les panneaux latéraux sont retenus de l'intérieur à l'aide de ruban collant ou d'une attache de plastique. On peut faire pivoter cette dernière; le ruban peut être retiré de façon permanente. Reportez-vous à la section Généralités pour vous familiariser avec les instructions d'installation et de retrait de ces panneaux.

Retirez la bague de retenue en plastique des tiges du carillon en inclinant soigneusement la bague et en la faisant glisser des extrémités des tiges du carillon. Retirez les coussinets de mousse situés entre les marteaux et les tiges du carillon. Évitez de courber les marteaux et les tiges du carillon.

Les chaînes ont été emballées dans un sac pour leur expédition et se trouvent près du mouvement de l'horloge. Libérez le sac et coupez la ficelle avec des ciseaux. Laissez suspendre les chaînes.

MISE EN GARDE : Prenez bien soin de ne pas tirer les chaînes par le mouvement ou les enlever des pignons lorsque vous retirez la protection en plastique des chaînes. Retirez la bague de retenue en plastique en la glissant vers le bas.

Retirez l'attache à ressort du dos du mouvement en libérant d'abord une des extrémités (figure 8).

Placez l'horloge à l'endroit voulu en ayant soin de mettre la caisse à niveau. À défaut, l'horloge risque de ne pas fonctionner. Les quatre (4) vérins de calage se trouvant sous la caisse, aux quatre coins, peuvent être vissés ou dévissés pour effectuer ce réglage. Placez un niveau le long de la caisse, de l'avant vers l'arrière et d'un côté à l'autre en réglant les vérins. Il peut s'avérer nécessaire de vérifier périodiquement le nivelage de la caisse après l'installation initiale (en particulier si l'horloge se trouve sur un tapis ou une carpe) puisqu'elle peut se rasseoir (figure 9). Assurez-vous que l'horloge est solidement calée sur le plancher pour éviter qu'elle ne renverse.

Boîtiers éclairés : Certaines horloges possèdent des éclairages à l'intérieur de leur boîtier. Retirez soigneusement le manchon de papier de l'ampoule AVANT d'allumer.

REMARQUE : Pour exécuter les pas suivants nous suggérons de porter des gants cotonniers ou utiliser du tissu mou en manipulant des parties.

ÉTAPE 2 SUSPENSION DU PENDULE

Certains pendules sont recouverts d'un film de plastique protecteur de couleur. Retirez-le avant de suspendre le pendule, le cas échéant.

Pour suspendre le pendule, identifiez la tige de guidage en regardant par la porte avant ou par l'un des panneaux arrière ou latéraux. Tenez la tige d'une main et insérez le pendule par la porte de l'horloge à l'aide de l'autre main. Placez le crochet du pendule par-dessus la goupille ou dans la fente de la tige et abaissez-le pour qu'il y soit solidement suspendu (figure 10).

BEFOLGEN SIE DIESE SECHS SCHRITTE ZUM AUFSTELLEN VON UHREN MIT GEWICHTEN, DIE AN EINER KETTE AUFGEHÄNGT SIND

SCHRITT 1 DAS AUFSTELLEN IHRER UHR

Auf dem Boden des Versandkartons finden Sie eine Schachtel. Diese Schachtel enthält: a) einen Schlüssel für Ihre Uhrentüre und b) Gewichte, die das Uhrwerk antreiben. In dem Versandkarton befindet sich ebenfalls das Uhrenpendel in einem separaten Karton verpackt.

Rücken Sie die Uhr in die Nähe ihres endgültigen Standplatzes.



VORSICHT: VERGEWISSEN SIE SICH, DASS IHRE UHR GERADE UND FEST AUF DEM BODEN STEHT, DAMIT SIE NICHT UMFÄLLT. STELLEN SIE DIE JUSTIERSCHRAUBEN AUF MAXIMALE STABILITÄT UND GEAUUE JUSTIERUNG.

Zugang zum Uhrwerk, dem Gong und den Ketten ist auf dreierlei Weisen möglich: durch die Vordertüre(n), durch das Seitenpanel oder durch das rückwärtige Zugangspanel. Das rückwärtige Zugangspanel ist mit Plastikklammern befestigt. Drehen Sie die oberen Klammern, um das rückwärtige Zugangspanel zu entfernen. Die Seitenpanele sind von innen mit einem Klebeband oder einer Plastikklammer befestigt. Die Klammer kann gedreht oder das Band permanent entfernt werden. Bitte beziehen Sie sich auf den Abschnitt „Allgemeine Information“ für Anweisungen über das richtige Entfernen und Installieren der seitlichen Zugangspanele.

Entfernen Sie die Plastik-Sicherung der Gong-Stangen, indem Sie die Sicherung vorsichtig kippen und sie nach unten über die Enden der Gong-Stangen schieben. Entfernen Sie die Schaumstoffpolster zwischen den Klöppeln und den Gong-Stangen. Achten Sie dabei darauf, die Klöppel und Gong-Stangen nicht zu verbiegen.

Die Ketten sind für den Versand in einer Tüte verpackt und befinden sich in der Nähe des Uhrwerks. Ziehen Sie die Tüte etwas nach vorn und schneiden Sie die Schnur mit einer Schere durch. Lassen Sie die Ketten hängen.

VORSICHT: Achten Sie beim Entfernen der Plastik-Kettensicherung darauf, die Ketten nicht durch das Uhrwerk oder vom Zahnrad zu ziehen. Entfernen Sie die Plastikhülle, indem Sie die Hülle von den Ketten nach unten wegziehen.

Entfernen Sie die Federklammer von der Rückseite des Uhrwerks, indem Sie erst ein Ende lockern. (Siehe Abbildung 8).

Rücken Sie die Uhr an ihren endgültigen Standplatz. In dieser Position muß Ihr Uhrenschrank ganz genau justiert werden, weil die Uhr sonst vielleicht nicht richtig läuft. Unter dem Uhrengehäuse befinden sich in jeder Ecke vier (4) Justierschrauben, die hinauf- oder heruntergeschraubt werden können. Legen Sie an das Gehäuse eine Wasserwaage von vorn nach hinten und von Seite zu Seite an und verstellen Sie die Justierschrauben, bis das Uhrengehäuse genau im Lot ist. Es kann sein, daß Sie Ihren Uhrenschrank nach dem anfänglichen Aufstellen von Zeit zu Zeit überprüfen müssen (vor allen Dingen, wenn die Uhr auf einem Teppichboden steht), da sich die Uhr nach dem ursprünglichen Justieren etwas senken könnte. (Siehe Abbildung 9). Vergewissern Sie sich, daß die Uhr genau im Lot steht, damit sie nicht umfallen kann.

Beleuchtete Gehäuse: Einige Uhren sind mit Lampen ausgestattet, die das Innere des Uhrengehäuses beleuchten. Vor einem Betätigen der Lampe sollte die Papierhülle vorsichtig von der Glühbirne abgenommen werden.

HINWEIS: um Die folgenden Schritte durchzuführen, schlagen wir vor, Baumwollhandschuhe zu tragen oder einen weichen Stoff zu verwenden, wenn wir Teile behandeln.

SCHRITT 2 PENDEL AUFHÄNGEN

Bei manchen Pendeln ist die Pendelscheibe mit einer farbigen Plastikfolie geschützt. Entfernen Sie diese Plastikfolie sorgfältig, ehe Sie das Pendel aufhängen.

Zum Aufhängen des Pendels suchen Sie zunächst nach der Pendelverlängerung durch die Vordertüre oder einem der Panele an der Seite, bzw. Rückseite. Während Sie die Pendelverlängerung mit der einen Hand halten, führen Sie das Pendel mit der anderen Hand durch die Vordertüre. Bringen Sie den Pendelhaken auf der Pendelstütze oder durch den Schlitz der Pendelstabaufhängung an und lassen Sie das Pendel herab, bis es sicher an der Pendelverlängerung eingehängt ist. (Siehe Abbildung 10).

**PASO 3
PARA COLGAR LAS PESAS**

La mayoría de los relojes utilizan tres pesas. En la parte de abajo de cada pesa se encuentra indicada la posición en la que debe colgar la pesa, al mirar el reloj de frente. El peso total de cada pesa es ligeramente distinta a las demás, y CADA PESA DEBE SER COLOCADA EN SU POSICIÓN CORRECTA PARA QUE EL RELOJ OPERE CORRECTAMENTE. Revise las pesas para asegurarse de que estén debidamente enroscadas.

PRECAUCIÓN: asegúrese de que cada eslabón de cada cadena esté colocado correctamente en los dientes del engrane. Cuelgue cada pesa en el gancho en el extremo de la cadena, nunca en los eslabones. (Ver figura 11).

**PASO 4
AJUSTE DE LA ESFERA LUNAR (disponible en algunos modelos)**

Con la punta de sus dedos, aplique algo de presión en la parte frontal de la esfera lunar y gire ésta en sentido horario hasta que la luna quede completamente debajo de la marca del día lunar #15 (cada marca representa un día lunar) sobre el arco lunar (Vea la figura 12).

Si la esfera lunar no gira, vea la Sección Detección de Fallas.

Busque en un almanaque o calendario y consiga la fecha de la última luna llena. Cuente el número de días que han pasado desde la última luna llena.

Gire la esfera lunar en sentido horario 1 día lunar por cada día transcurrido desde la luna llena.

Ejemplo: Si la última luna llena ocurrió hace 3 días, gire la esfera lunar en sentido horario 3 días lunares, de manera que la luna quede centrada en el día lunar 18 en el arco lunar.

Ahora ya quedó ajustada la esfera lunar e indicará las fases lunares en forma correcta siempre que el reloj funcione continuamente. Si el reloj se detiene entonces también lo hará la esfera lunar y habrá que configurarla nuevamente cuando el reloj funcione de nuevo.

**PASO 5
PARA PONER LA HORA (moviendo las manecillas del reloj)**

Para poner la hora, mueva ÚNICAMENTE EL MINUTERO hacia atrás, hasta que ambas manecillas indiquen la hora correcta. (Ver figura 13). NO MUEVA LA MANECILLA DE LA HORA AL PONER LA HORA. Esta manecilla se moverá automáticamente al mover la otra. Al mover el minuterero hacia atrás, no es necesario esperar a que el reloj marque sonoramente cada cuarto de hora. El mecanismo cuenta con un sincronizador interno que se ajusta con la hora. Si al poner la hora el carillón no se encuentra sincronizado, permita que opere 2 horas, durante el cual se corregirá automáticamente.

**PASO 6
PARA PONER EN MARCHA SU RELOJ**

Introduzca su mano a través de la puerta frontal, colocándola a un lado del disco del péndulo.

Mueva el péndulo hacia el extremo izquierdo, y suéltelo. Deje que opere el reloj algunos minutos hasta que el péndulo tenga su propio ritmo. (Ver figura 14).

Si su reloj se adelanta o se atrasa después de 24 horas, via la sección de Información General para ajustar y regular la marcación del tiempo de su reloj.

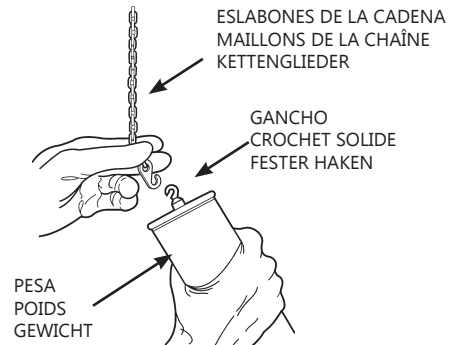


FIGURA 11
FIGURE 11
ABBILDUNG 11



FIGURA 12
FIGURE 12
ABBILDUNG 12



FIGURA 13
FIGURE 13
ABBILDUNG 13

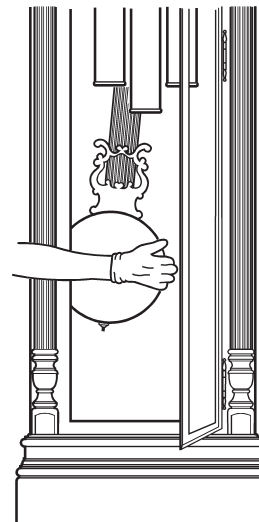


FIGURA 14
FIGURE 14
ABBILDUNG 14

ÉTAPE 3 SUSPENSION DES POIDS

La plupart des horloges fonctionnent au moyen de trois poids. La base de chacun porte une étiquette identifiant sa position lorsqu'on est face à l'horloge. Le poids total de chacun est légèrement différent. Chacun **DOIT ÊTRE INSTALLÉ AU BON ENDROIT POUR PERMETTRE À L'HORLOGE DE FONCTIONNER CORRECTEMENT.** Vérifiez que les poids sont solidement assemblés.

MISE EN GARDE : Assurez-vous que chaque maillon de chaque chaîne est placé correctement sur les dents du pignon. Suspendez chaque poids sur le crochet solide au bout de la chaîne; ne jamais les suspendre sur les maillons de la chaîne. (figure 11)

ÉTAPE 4 RÉGLAGE DU CADRAN LUNAIRE (sur certains modèles seulement)

Du bout des doigts, exercez une faible pression sur le devant du cadran lunaire, puis faites-le tourner dans le sens horaire jusqu'à ce que la lune soit juste au-dessus de la marque du 15e jour lunaire (chaque marque correspond à un jour lunaire) sur l'arche de la lune (consultez la Figure 12).

Si le cadran lunaire ne tourne pas, consultez la section Dépannage.

En consultant un almanach ou un calendrier, déterminez la date de la dernière pleine lune. Comptez ensuite le nombre de jours écoulés depuis la dernière pleine lune. Faites tourner le cadran lunaire dans le sens horaire d'un jour pour chaque jour écoulé depuis la dernière pleine lune. Exemple : Si la dernière pleine lune a eu lieu il y a trois jours, faites tourner le cadran lunaire dans le sens horaire de trois jours, de façon que la lune soit centrée sur la marque du 18e jour lunaire sur l'arche de la lune.

Le cadran lunaire est maintenant réglé et indiquera les phases appropriées de la lune tant que l'horloge fonctionnera. Si l'horloge devait s'arrêter, le cadran lunaire ferait de même et devrait être réglé de nouveau lors du redémarrage de l'horloge.

ÉTAPE 5 RÉGLAGE DE L'HEURE (déplacement des aiguilles)

Pour régler l'heure, déplacez SEULEMENT L'AIGUILLE DES MINUTES dans le sens contraire des aiguilles d'une montre (à l'envers) jusqu'à ce que les deux aiguilles indiquent la bonne heure (figure 13).

NE DÉPLACEZ PAS L'AIGUILLE DES HEURES POUR RÉGLER L'HEURE. Celle-ci se déplace automatiquement lorsque celle des minutes bouge. Le fait de tourner dans le sens antihoraire empêche d'avoir à attendre la fin du carillon lorsque l'aiguille des minutes passe les quarts d'heure. Le mouvement comprend un dispositif d'autocorrection qui synchronise le carillon avec le temps. S'il ne joue pas correctement après avoir réglé l'heure, laissez-le fonctionner pendant deux heures pour qu'il se corrige lui-même.

ÉTAPE 6 MISE EN MARCHÉ DE L'HORLOGE

Ouvrez la porte avant de l'horloge et placez la main d'un côté de la lentille du pendule.

Ramenez le pendule à l'extrême gauche et relâchez-le. Laissez l'horloge fonctionner pendant quelques minutes, jusqu'à ce que le pendule commence à se balancer de façon uniforme (figure 14).

Si l'horloge avance trop rapidement ou trop lentement après 24 heures, reportez-vous à la section Généralités pour en régulariser le mécanisme.

SCHRITT 3 GEWICHTE ANHÄNGEN

Die meisten Uhren haben drei Gewichte. Jedes Gewicht ist an der Unterseite für die korrekte Hängeposition von vorne aus gesehen markiert. Das Gesamtgewicht eines jeden Gewichts ist etwas verschieden und jedes **GEWICHT MUSS IN SEINER KORREKTEN POSITION INSTALLIERT SEIN, DAMIT DIE UHR PRÄZISE LÄUFT.** Überprüfen Sie die Gewichte, um sicher zu sein, daß sich jede Kette auf ihrem Kettenrad befindet.

VORSICHT: Vergewissern Sie sich, dass alle Kettenglieder auf den Zähnen des Zahnrads sitzen. Hängen Sie die Gewichte jeweils an den festen Haken am Ende der Kette, niemals an die Kettenglieder. (Siehe Abbildung 11).

SCHRITT 4 EINSTELLEN DER MONDPHASENANZEIGE (nur bei bestimmten Modellen erhältlich)

Drücken Sie mit den Fingern leicht auf die Vorderseite der Mondscheibe und drehen Sie diese im Uhrzeigersinn, bis sich der Mond direkt unterhalb der Markierung für den 15. Montag befindet (jede Markierung des Mondbogens repräsentiert einen Montag) (siehe Abbildung 12).

Wenn sich die Mondscheibe nicht drehen lässt, schauen Sie bitte im Abschnitt Fehlersuche nach.

Ermitteln Sie mit Hilfe eines Almanachs oder Kalenders das Datum des letzten Vollmonds. Zählen Sie die Tage seit dem letzten Vollmond.

Drehen Sie die Mondscheibe im Uhrzeigersinn um die Anzahl von Markierungen weiter, die den Tagen seit dem letzten Vollmond entspricht.

Beispiel: Wenn der letzte Vollmond vor 3 Tagen war, drehen Sie die Mondscheibe um 3 Montage nach rechts, so dass der Mond direkt auf dem 18. Montag des Mondbogens steht.

Die Mondphasenanzeige ist damit eingestellt und zeigt die richtigen Mondphasen an, solange die Uhr kontinuierlich läuft. Wenn die Uhr stehen bleibt, hält auch die Mondscheibe an. In diesem Fall muss sie neu eingestellt, wenn die Uhr wieder in Gang gesetzt wird.

SCHRITT 5 ZEIT EINSTELLEN (die Zeiger bewegen)

Um die Zeit einzustellen, bewegen Sie **NUR DEN MINUTENZEIGER** gegen den Uhrzeigersinn (rückwärts) bis Stunden- und Minutenzeiger die richtige Zeit anzeigen. (Siehe Abbildung 13).

DREHEN SIE NICHT DEN STUNDENZEIGER, WENN SIE DIE ZEIT EINSTELLEN. Der Stundenzeiger wird sich automatisch mitbewegen, wenn der Minutenzeiger bewegt wird. Wenn Sie den Minutenzeiger gegen den Uhrzeigersinn bewegen, brauchen Sie nicht auf das Schlagen der Uhr zu warten, während der Minutenzeiger an jeder Viertelstunde vorbeigeführt wird. Das Uhrwerk hat einen sich selbst korrigierenden Mechanismus, der den Schlag des Gongs mit der Uhrzeit synchronisiert. Wenn der Gong nach dem Einstellen der Uhr nicht richtig schlägt, lassen Sie die Uhr 2 Stunden laufen, um sich von selbst zu korrigieren.

SCHRITT 6 UHR STARTEN

Greifen Sie durch die Vordertüre der Uhr und legen Sie Ihre Hand auf die Seite der Pendelscheibe.

Bewegen Sie das Pendel von der Mitte aus weit nach links oder rechts und lassen Sie los. Lassen Sie die Uhr ein paar Minuten laufen, bis sich das Pendel in eine gleichmäßig schwingende Bewegung einspielt. (Siehe Abbildung 14).

Wenn Ihre Uhr nach 24 Stunden entweder an Zeit gewinnt oder verliert, sehen Sie in dem Abschnitt "Allgemeine Information" nach, wie Sie das Zeitmessen Ihrer Uhr regulieren können.

INFORMACION GENERAL

ETIQUETA DE INFORMACION DEL PRODUCTO

La etiqueta de información del producto le indica tanto el modelo del reloj como su número de serie. Ambos (número del modelo y número de serie) son esenciales para obtener refacciones o servicio. Esta etiqueta de información del producto se puede encontrar en varios lugares: afuera de la caja de envío, detrás de la puerta, detrás del reloj, arriba del reloj, o dentro del reloj arriba y detrás del disco. Refiérase a esta etiqueta cuando poniéndose en contacto con nosotros o su distribuidor. Para referencia en el futuro, tome un momento para anotar estos números en el espacio suministrado en la Sección de Información sobre Servicio (página 35). Agregue su recibo o factura a este manual para referencias futuras.

PARA MOVER DE LUGAR SU RELOJ

Debe tener mucho cuidado al mover o transportar su reloj, y asegurarse de que haya empacado todas las piezas y accesorios tales como el péndulo y pesas. **NUNCA** le de cuerda a un mecanismo que utiliza cables sin que estén instaladas las pesas.

COMO REMOVER / INSTALAR LOS PANELES SUPERIORES DEL RELOJ

Su reloj puede tener paneles superiores de madera o vidrio. Al quitarlos, crea acceso al mecanismo del reloj y la sección donde se toca la melodía. Los paneles se fijaron para transportar al reloj usando una cinta adhesiva o sujetadores de plástico. Para retirar cada panel, introduzca su mano por la puerta de enfrente, y quite la cinta o gire los sujetadores de plástico. Después, siga estos pasos:

1. Sujete la tablilla o manija con las puntas de los dedos. Tenga cuidado de no crear presión al cristal, ya que puede separarlo de la madera en la parte de arriba.
2. Levante el panel hacia arriba, para que repose en la ranura de abajo.
3. Empuje la parte de abajo hacia adentro, mientras que al mismo tiempo jale la parte de arriba hacia abajo, sacándola de la ranura superior.
4. Incline la parte de arriba hacia el centro.
5. Saque el panel por la apertura creada, empezando con la parte de abajo.

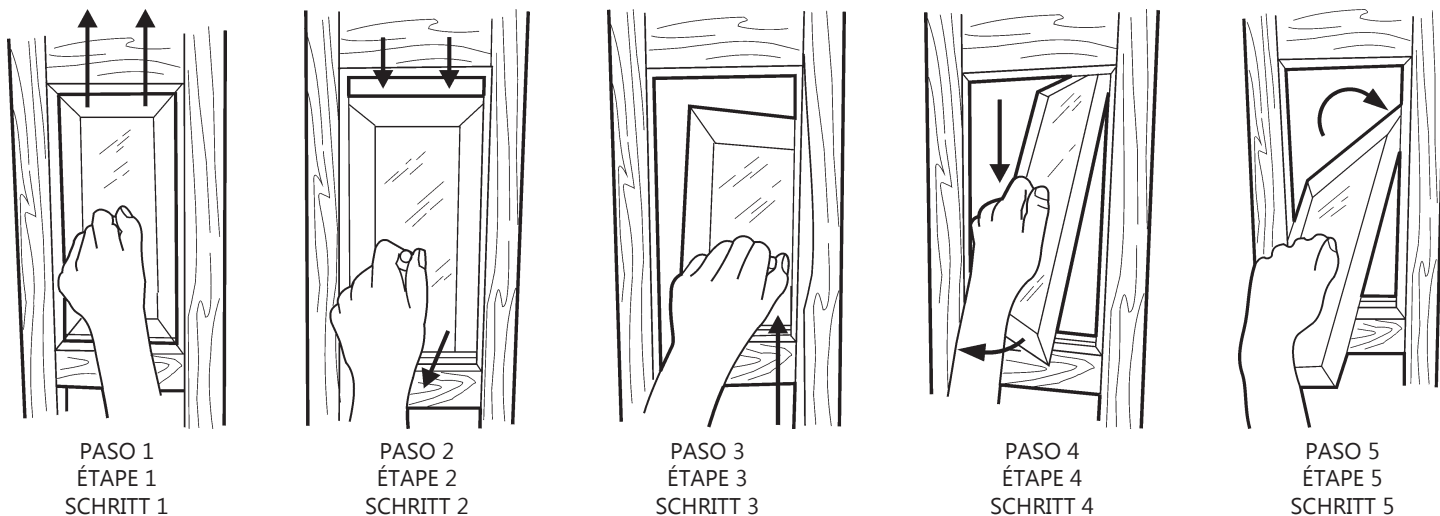
Al instalar estos paneles, haga los pasos 1 al 5 en reversa.

ETIQUETA DE INFORMACION DE PRODUCTO ETIQUETTE DE RENSEIGNEMENT SUR LE PRODUIT PRODUKTINFORMATIONSETIKETT

NUMERO DE MODELO
NUMERO DEL MODÉLE
MODELLNUMMER

MODEL#	SERIAL#
--------	---------

NUMERO DE SERIE
NUMERO DE SÉRIE
SERIENNUMMER



CARACTERÍSTICAS DEL VIDRIO

Algunas marcas en el vidrio resultan de los procesos de manufactura como el modelamiento al calor, el corte, o el acabado. Estas marcas son perceptibles, pero son naturales y no se les considera como fallas.

Cuando limpie el vidrio use un producto para vidrios con amonía. Pero tenga cuidado de no apuntar el atomizador del producto directamente al reloj.

GÉNÉRALITÉS

ÉTIQUETTE DE RENSEIGNEMENT SUR LE PRODUIT

Cette étiquette indique les numéros de modèle et de série de l'horloge. Ces derniers sont absolument nécessaires pour obtenir des pièces ou une réparation. L'étiquette peut se trouver à différents endroits : à l'extérieur du carton d'expédition, derrière la porte, au dos de l'horloge, sur le dessus de celle-ci, dans le coin supérieur du fond de l'horloge ou dans celle-ci, au-dessus du dos du cadran. Faites allusion à cette étiquette en nous contactant ou votre commerçant. Pour faciliter la référence à l'avenir, prenez un moment pour enregistrer ces numéros dans l'espace prévu à cet effet dans la section de Renseignements pour le dépannage (page 36). Rattachez également votre reçu de caisse à ce manuel pour pouvoir vous y référer plus tard.

DÉPLACEMENT DE L'HORLOGE

Déplacez toujours votre horloge avec soin, en vous assurant que toutes les pièces accessoires telles que le pendule et les poids sont retirés et correctement emballés pour éviter de les endommager. **NE REMONTEZ JAMAIS** un mouvement entraîné par câbles sans que les poids soient installés.

INSTALLATION ET RETRAIT DES PANNEAUX LATÉRAUX SUPÉRIEURS

L'horloge est munie de panneaux latéraux de bois ou de verre. Lorsqu'ils sont retirés, on peut accéder au mouvement et au carillon. Ces panneaux sont retenus en place par du ruban collant ou une attache de plastique pendant l'expédition. Pour les retirer, ouvrez la porte avant et faites pivoter l'attache ou retirez le ruban. Suivez ensuite ces étapes :

1. Agrippez les lattes de bois ou le bouton avec les doigts. Prenez soin de ne pas pousser sur le treillis de tissus ou le verre pour ne pas les séparer du panneau.
2. Soulevez le panneau hors de la fente du bas dans laquelle il repose.
3. Poussez le bord inférieur du panneau vers le centre de la caisse, tout en tirant le bord supérieur vers le bas, hors de la fente du haut.
4. Faites pivoter le bord supérieur du panneau vers le centre de la caisse.
5. Retirez le panneau de l'ouverture, la partie inférieure d'abord.

Pour l'installation, suivez les étapes 1 à 5 en ordre inversé.

CARACTÉRISTIQUES DU VERRE

Notez que des marques caractéristiques mineures sont créées par des procédés de fabrication du verre tels que le thermoformage, la découpe ou le polissage du verre. Ces marques caractéristiques sont visibles à l'oeil nu. Elles sont naturelles et ne sont pas considérées comme défauts.

Pour nettoyer le verre, utilisez un produit de nettoyage pour verre sans ammoniac. Ne pulvérisez jamais l'horloge directement avec le produit de nettoyage.

ALLGEMEINE INFORMATION

PRODUKTINFORMATIONSETIKETT

Das Produktinformationsetikett zeigt die Modell- und Seriennummer der Uhr an. Die Modell- und Seriennummer der Uhr sind äußerst wichtig für den Service und den Erhalt von Ersatzteilen. Das Produktinformationsetikett kann an verschiedenen Stellen angebracht sein: außen auf dem Versandkarton, an der Rückseite der Tür, an der Rückseite der Uhr, oben auf der Uhr oder im Innern der Uhr über der Rückseite des Ziffernblatts. Beziehen Sie sich auf dieses Etikett, wenn Sie sich mit uns oder Ihrem Händler in Verbindung setzen. Nehmen Sie sich bitte einen Augenblick Zeit und tragen Sie diese Nummern für spätere Bezugnahme an der dafür vorgesehenen Stelle im Abschnitt „Service-Informationen“ (Seite 37) ein. Fügen Sie auch diesem Handbuch Ihren Belegschein für spätere Bezugnahme bei.

IHRE UHR BEIM UMZUG

Beim Umzug mit Ihrer Uhr sollten Sie sich sorgfältig vergewissern, daß alle Zusatzteile, wie das Pendel und die Gewichte, entfernt werden und entsprechend verpackt sind, um Schäden zu vermeiden. **NIEMALS** ein Seiluhrwerk aufziehen, ohne daß die Gewichte eingehängt sind.

DAS ENTFERNEN/INSTALLIEREN DER OBEREN SEITENPANELE DER UHR

Es kann sein, daß die oberen Seitenpanele Ihrer Uhr aus Holz oder Glas bestehen. Wenn sie entfernt sind, erhalten Sie Zugang zu dem Uhrwerk und dem Bereich für den Gong. Die Paneele können während des Versands mit Klebeband oder einer Plastikklammer befestigt werden. Um das Panel zu entfernen, langten Sie durch die Vordertüre und drehen die Plastikklammer oder entfernen das Klebeband. Dann befolgen Sie diese Schritte:

1. Fassen Sie die Holzleisten oder den Knopf mit Ihren Fingerspitzen an. Seien Sie vorsichtig, nicht gegen das Gittertuch oder Glas zu drücken, da es sich sonst von dem Holzpanel der oberen Seite trennen könnte.
2. Heben Sie das obere Seitenpanel nach oben. Es ruht am unteren Rand auf einem Vorsprung.
3. Schieben Sie die untere Kante des oberen Seitenpanels in die Mitte des Gehäuses, während Sie gleichzeitig die Oberseite nach unten und von dem Vorsprung am oberen Rand der Öffnung wegziehen.
4. Drehen Sie die Oberseite des oberen Seitenpanels der Mitte des Gehäuses zu.
5. Entfernen Sie das obere Seitenpanel von der Rahmenöffnung mit der unteren Kante nach vorn.

Bei der Installation der oberen Seitenpanele aus Holz oder Glas befolgen Sie Schritte 1 bis 5 in umgekehrter Reihenfolge.

GLAS MERKMALE

Bitte beobachte Sie dass minimale Merkmale beim Glasherstellungsverfahren, wie z.B. heissbiegen, schneiden oder polieren entstehen. Diese Merkmale, obwohl sichtbar, sind natürlich und sollten nicht als Fehler betrachtet werden. Beim Reinigen des Glases, bitte nur amoniakfreien Reiniger benutzen. Nie das Reinigungsmittel direkt auf die Uhr sprühen.

PARA ALZAR LAS PESAS

Se deben elevar las pesas cada siete (7) días, de otra forma el reloj se detendrá.

RELOJ DE PIE: Cables con poleas

La pesas que se suspenden de cables con poleas deben ser alzadas usando la manija que se incluye. **NO** levante las pesas con su mano mientras le da vuelta a la manija. Introduzca la manivela en los agujeros apropiados que se encuentran en la carátula (vea la figura 15) y gire la manivela a izquierdas, o sea en contra de las agujas del reloj. Esto hará que se eleven las pesas.

RELOJ DE PIE: Cadenas

IMPORTANTE: JALE LA CADENA DIRECTAMENTE HACIA ABAJO.

NO levante las pesas, ya que se podría desenganchar la pesa de la cadena. Jale hacia abajo la parte libre de la cadena hasta que la pesa esté aproximadamente 2" (5 cms.) de distancia de la parte de abajo de la madera que contiene el mecanismo. (Ver figura 16).

PARA REGULAR EL TIEMPO

Para cambiar la velocidad en que marca la hora el reloj, basta con mover el disco del péndulo hacia arriba o hacia abajo. El disco del péndulo se puede mover hacia arriba o abajo enroscando la tuerca de ajuste.

Para bajar la velocidad, baje el disco del péndulo desenroscando la tuerca de ajuste hacia la izquierda. Para incrementar la velocidad, levante el disco del péndulo enroscando la tuerca de ajuste hacia la derecha. (Ver figura 17).

Primer Día

1. Elija una hora del día que le permita revisar su reloj a la misma hora durante un período mínimo de 6 días.
2. Escriba la hora que eligió _____.
3. Revise la hora correcta.
4. Ponga las manecillas en la hora correcta (como se indica en la sección de regular la hora).

Día Dos, Tres, Cuatro, Cinco, Seis (de Ser Necesario)

1. Revise la hora correcta.
2. Compare la hora correcta con la hora que indique su reloj. Está adelantado o atrasado?
3. Ajuste la tuerca del disco una vuelta completa aproximadamente medio minuto por día. (24 horas). El ajuste exacto del tiempo varía para cada péndulo.
4. Revise la hora correcta.
5. Ponga el minutero en la hora correcta. Siga los mismos pasos al día siguiente.

SILENCIADOR NOCTURNO AUTOMÁTICO (disponible en algunos modelos)

Algunos relojes cuentan con una opción que le permite silenciar el carillón e indicación sonora de la hora en punto, entre las 10:15 p.m. y 7:15 a.m. La última campana es a las 10:00 p.m. y la primera campana es a las 7:15 a.m. Utilice la perilla en parte izquierda de la carátula para seleccionar esta opción.

Si su reloj se mantiene en silencio entre las 10:15 a.m. y las 7:15 p.m., necesita reajustar las manecillas 12 horas. Primero, quite la mecanismo afuera del posición de silencio, después. Para cambiarlo 12 horas, rote únicamente el minutero hacia atrás hasta que llegue a la hora correcta

CAJAS ILUMINADAS (disponibles en algunos modelos)

Algunos relojes cuentan con lámparas que iluminan la parte interna de la caja del reloj. Antes de hacer funcionar la lámpara, quite con cuidado la cubierta de papel de la bombilla.

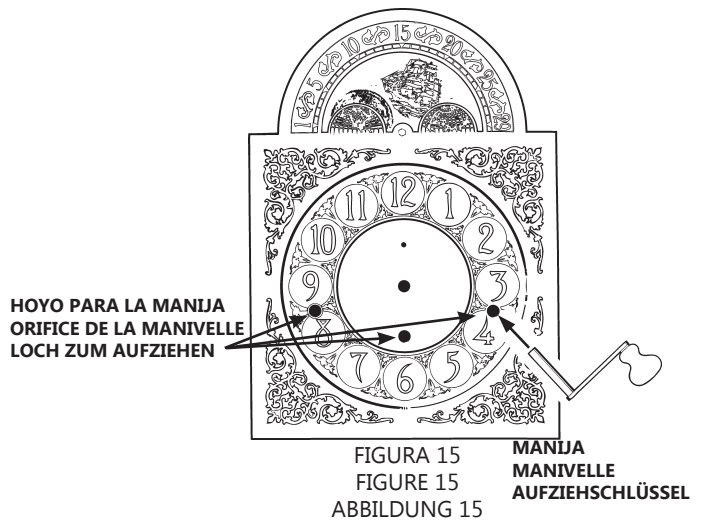


FIGURA 15
FIGURE 15
ABBILDUNG 15



FIGURA 16
FIGURE 16
ABBILDUNG 16

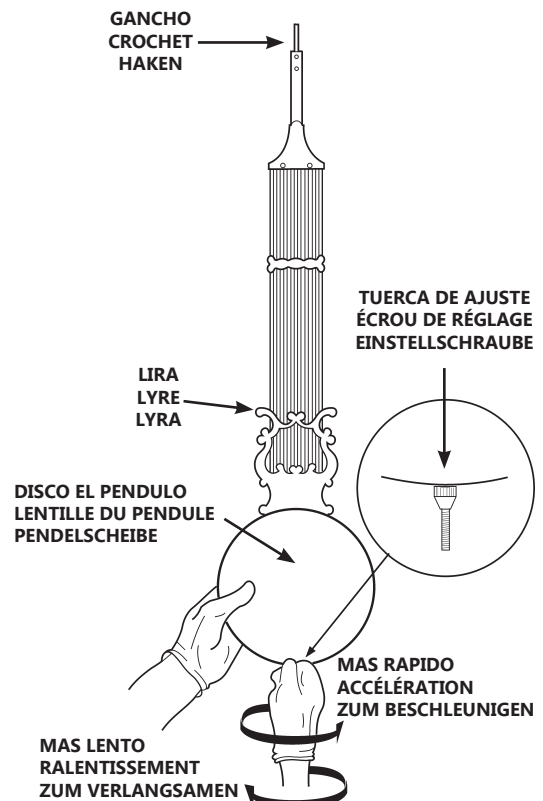


FIGURA 17
FIGURE 17
ABBILDUNG 17

ÉLEVATION DES POIDS

L'horloge s'arrête si les poids ne sont pas remontés au moins tous les 7 jours.

HORLOGE DE PLANCHER – Câbles avec poulies

Les poids suspendus à des câbles avec poulies doivent être élevés à l'aide de la manivelle. **ÉVITEZ** de lever les poids à la main pendant que vous utilisez la manivelle. Insérez la manivelle dans les trous du cadran (figure 15) et tournez la manivelle dans le sens inverse des aiguilles d'une montre. Ceci remonte les poids.

Chaînes

IMPORTANT : TIREZ SUR LA CHAÎNE DIRECTEMENT VERS LE BAS.

ÉVITEZ de soulever les poids puisqu'ils pourraient se détacher de la chaîne. Tirez sur l'extrémité libre de la chaîne vers le bas jusqu'à ce que le poids se trouve à environ 5 cm (2 po) de la planchette de montage du mouvement (figure 16).

RÉGULARISATION DE L'HEURE

La vitesse du mouvement peut être modifiée en déplaçant la lentille du pendule vers le haut ou vers le bas. Ceci se fait en tournant l'écrou de réglage. Pour ralentir l'horloge, déplacez la lentille vers le bas en tournant l'écrou vers la gauche.

Pour accélérer l'horloge, déplacez la lentille vers le haut en tournant l'écrou vers la droite (figure 17).

Le premier jour

1. Sélectionnez une heure de la journée vous permettant de vérifier votre horloge à la même heure pendant au moins six jours.
2. Inscrivez l'heure choisie _____.
3. Obtenez l'heure exacte.
4. Remplacez l'aiguille des minutes pour correspondre à l'heure exacte.

Les cinq jours suivants (au besoin)

1. Obtenez l'heure exacte.
2. Comparez l'heure indiquée sur votre horloge avec l'heure exacte. Votre horloge tourne-t-elle trop rapidement ou trop lentement?
3. Tournez l'écrou de réglage du pendule d'un tour complet pour chaque demie minute (approximativement) d'avance ou de retard par jour (24 heures) qu'accuse l'horloge. L'ajustement précis de temps varie pour chaque pendule.
4. Obtenez l'heure exacte.
5. Remplacez l'aiguille des minutes pour correspondre à l'heure exacte.

OPTION D'ASSOURDISSEMENT AUTOMATIQUE LA NUIT (certains modèles seulement)

Certains modèles offrent la possibilité d'assourdir automatiquement le carillon et la sonnerie des heures entre 22h15 et 7h15. Le dernier carillon de 22h00 et le premier carillon de 7h15. Utilisez la manivelle se trouvant à la droite du cadran pour sélectionner cette option.

Si votre horloge est silencieuse entre 10h15 et 19h15, vous devez reculer les aiguilles de 12 heures. Retirez le mouvement de l'assourdissement automatique la nuit. Puis, pour ce faire, faites pivoter uniquement l'aiguille des minutes dans le sens contraire des aiguilles d'une montre jusqu'à l'heure exacte.

ILLUMINATION DU CADRAN (certains modèles)

Certaines horloges sont équipées d'un système d'illumination de l'intérieur du boîtier. Avant de faire fonctionner les lampes, il faut enlever avec précaution les manchons de papier des ampoules.

HOCHZIEHEN DER GEWICHTE

Die Gewichte müssen alle sieben (7) Tage hochgezogen werden, damit die Uhr nicht stehenbleibt.

STANDUHR: Drahtseile mit Aufzugsrollen

Gewichte, die an Seilen mit Seilrollen hängen, sollten mit dem mitgelieferten Aufziehschlüssel gehoben werden. Die Gewichte **NICHT** mit der Hand anheben, während Sie die Uhr aufziehen. Führen Sie die Kurbel in die Kurbelöffnungen auf dem Ziffernblatt ein (siehe Abbildung 15) und drehen Sie die Kurbel gegen den Uhrzeigersinn. Dadurch werden die Gewichte hochgezogen.

Ketten

WICHTIG: ZIEHEN SIE DIE KETTE SENKRECHT HERAB.

Die Gewichte **NICHT** anheben, weil sich die Gewichte dabei von der Kette aushaken können. Ziehen Sie am losen Ende der Kette, bis das Gewicht etwa 5 cm vom Boden des Uhrwerkgehäuses entfernt ist. (Siehe Abbildung 16).

ZEITMESSUNG REGULIEREN

Um die Zeitmessungsgeschwindigkeit zu ändern, bewegen Sie die Pendelscheibe nach oben oder nach unten. Die Pendelscheibe kann nach oben oder unten bewegt werden, indem Sie die Einstellschraube drehen. Um die Uhr zu verlangsamen, bewegen Sie die Pendelscheibe nach unten, indem Sie die Einstellschraube nach links drehen.

Um die Uhr zu beschleunigen, bewegen Sie die Pendelscheibe nach oben, indem Sie die Einstellschraube nach rechts drehen. (Siehe Abbildung 17).

Tag Eins

1. Wählen Sie eine Zeit am Tag, zu der Sie Ihre Uhr zur gleichen Zeit über mindestens sechs Tage hinaus prüfen können.
2. Merken Sie sich die gewählte Zeit auf _____.
3. Überprüfen Sie die genaue Zeit.
4. Stellen Sie den Minutenzeiger genau auf die exakte Zeit ein.

Tag Zwei, Drei, Vier, Fünf, Sechs (falls notwendig)

1. Überprüfen Sie die genaue Zeit.
2. Vergleichen Sie die angezeigte Zeit auf Ihrer Uhr mit der genauen Zeit. Geht Ihre Uhr zu schnell oder zu langsam?
3. Drehen Sie die Einstellschraube an dem Pendel um eine volle Drehung für jede halbe Minute, (ungefähr) die die Uhr pro Tag (24 Stunden) zu schnell oder zu langsam geht. Genaue Zeit die Regelung ändert sich für jedes Pendel.
4. Überprüfen Sie die genaue Zeit.
5. Stellen Sie den Minutenzeiger erneut genau auf die exakte Zeit.

AUTOMATISCHES ABSTELLEN DES TONS BEI NACHT (auf manchen Modellen erhältlich)

Manche Uhrenmodelle haben eine Option, mit der Sie automatisch den Glocken- und Stundenschlag zwischen 22.00 Uhr und 7.15 Uhr abstellen können. Benutzen Sie den Hebel an der linken Seite des Ziffernblattes, um diese Option zu wählen.

Wenn Ihre Uhr zwischen 10.00 Uhr und 19.15 Uhr nicht schlägt, müssen Sie die Uhrenzeiger um 12 Stunden zurücksetzen. Um die Zeiger um 12 Stunden zurückzusetzen, drehen Sie (nur) den Minutenzeiger dem Uhrsinn entgegengesetzt auf die richtige Zeit. Vor dem Zurücksetzen der Zeiger muß die Nachtabschaltung ausgeschaltet werden.

BELEUCHTETE GEHÄUSE (bei manchen Modellen)

Einige Uhren sind mit Lampen ausgestattet, die das Innere des Uhrengehäuses beleuchten. Entfernen Sie die Papierhülle vorsichtig von der Glühlampe, bevor Sie die Lampe einschalten.

SELECCION DE CARILLON

Para seleccionar la melodía de carillón necesita mover un botón de selección en la carátula del reloj.

Algunos modelos tocan únicamente la melodía Westminster, mientras que otros le dan a elegir entre tres melodías. Algunos modelos también tienen una secuencia automática de carillón, la cual hace que el mecanismo cambie de melodía cada hora. La selección de esta secuencia automática, o de alguna otra opción de melodías, se logra al mover el botón selector.

Si la carátula indica "Chime-Silent", su reloj únicamente toca la melodía Westminster. Si su reloj tiene un mecanismo triple, el botón identifica las opciones en las melodías. Todos los mecanismos cuentan con el indicador de las horas al estilo de "Big Ben". NO intente mover el botón selector de carillón mientras que el reloj esté sonando, ya que podría dañar el mecanismo. Vea la figura 18 para tener una idea de cuando puede mover el selector sin dañar el mecanismo.

CUIDADO Y MANTENIMIENTO

Su reloj requiere de poco cuidado y mantenimiento. A continuación se detallan pasos que puede seguir para mantener en óptimas condiciones su reloj.

- Dé cuerda a su reloj cada siete (7) días.
- Mantenga la puerta cerrada con seguro.
- Encere o pula el gabinete del reloj tan seguido como lo haga con sus otros muebles. Utilice un líquido sin silicón, o cera en pasta.
- Revise periódicamente la nivelación del reloj, especialmente si éste se coloca en una alfombra. Puede desbalancearse con el paso del tiempo. Tal vez tenga que ajustar los niveladores.
- Revise ocasionalmente las pesas, para asegurarse de que estén enroscadas firmemente.
- Se recomienda aceitar su reloj cada dos (2) años a partir de la fecha de compra y limpiarlo completamente cada cinco (5) a diez (10) años, dependiendo de las condiciones ambientales. Condiciones extremas de calor, frío, humedad, sequedad o sal en el medio ambiente puede requerir mantenimiento más frecuente. No recomendamos que usted atienda el movimiento de reloj usted mismo. Póngase en contacto con uno de los Centros de Servicio Autorizado. (Vea la Sección de Información de Servicio.)

DETECCION DE FALLAS

Asegure de que todas las instrucciones incluidas aquí fueron cuidadosamente efectuadas. Estas instrucciones le ofrecerán información detallada, la cual contestará la mayoría de sus preguntas. Para ver un listado de preguntas frecuentes visite el sitio web con ello podría convenientemente resolver su problema o encontrar respuestas a sus preguntas.

ESFERA LUNAR CON DIFICULTADES PARA GIRAR

Si la esfera lunar no gira (como se describió en la configuración de la misma, PASO 4), esto puede indicar que los engranajes que mueven automáticamente la esfera lunar están atascados. Para corregir esta situación, girar la manecilla de los minutos hacia atrás horas 3-1/2 como descrito en el PASO 5 del conjunto arriba operación, pone la esfera de luna, y entonces pone el tiempo como descrito en el PASO 6.

MUEVA EL BOTON SELECTOR UNICAMENTE CUANDO EL MINUTERO SE ENCUENTRE EN EL AREA DE SEGURIDAD

NE DÉPLACEZ LE LEVIER DE SÉLECTION DES MÉLODIES QUE LORSQUE L AIGUILLE DES MINUTES EST DANS UNE ZONE SÉCURITAIRE

DEN GONGAUSSWAHLHEBEL NUR BEWEGEN, WENN SICH DER MINUTENZEIGER IN DER „SICHEREN ZONE“ BEFINDET

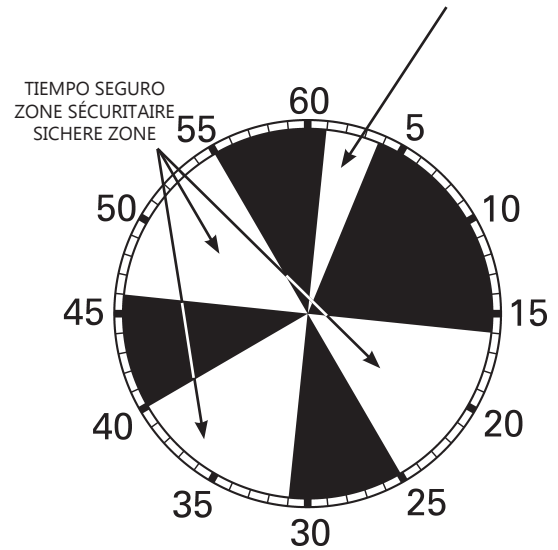


FIGURA 18
FIGURE 18
ABBILDUNG 18

SÉLECTION DES MÉLODIES

La sélection des mélodies du carillon se fait à l'aide du levier se trouvant sur le cadran de l'horloge.

Certains modèles ne jouent que l'air de Westminster, alors que d'autres offrent trois mélodies. D'autres encore sont munis d'un mécanisme de sélection automatique qui permet au mouvement de changer la mélodie à toutes les heures. Le levier de sélection sert à actionner ce mécanisme ou à choisir une mélodie.

Si le cadran indique «Chime-Silent» (assourdissement du carillon), votre horloge ne joue que l'air de Westminster. Si elle comporte un mouvement de carillon triple, le levier indique les choix des mélodies.

Tous les mouvements d'horloge de parquet sont munis du gong Big Ben qui sonne les heures justes. **NE TENTEZ PAS** de déplacer le levier de sélection des mélodies lorsque l'horloge sonne, au risque d'endommager le mécanisme. Reportez-vous à la figure 18 pour savoir quand on peut déplacer le levier sans danger.

SOINS ET ENTRETIEN

Vous devez apporter certains soins à votre horloge et effectuer un entretien régulier. Les étapes ci-dessous vous aideront à préserver la qualité exceptionnelle de votre horloge.

- Remontez l'horloge tous les sept jours.
- Gardez la porte verrouillée.
- Cirez et polissez la caisse aussi souvent que les autres meubles à l'aide d'un liquide sans silicone ou d'une cire en pâte.
- Vérifiez périodiquement que l'horloge repose bien sur ses quatre véris. Cette étape est particulièrement importante au cours des premiers mois si l'horloge est installée sur un tapis ou une carpepe puisque ses pieds auront tendance à s'y enfoncer, causant un déséquilibre. Il peut alors s'avérer nécessaire d'effectuer un réglage des véris.
- Vérifiez les poids à l'occasion pour vous assurer qu'ils sont toujours solidement assemblés.
- Il est recommandé de lubrifier le mouvement tous les deux ans à compter de la date d'achat et de faire un nettoyage complet tous les cinq à dix ans, selon les conditions climatiques. Les conditions de sécheresse, d'humidité, de chaleur ou de froid sévères, ainsi que l'air salé exigent un entretien plus fréquent. Vous ne devriez cependant pas procéder à cet entretien vous-même. Contacter un Centre de réparation Autorisé (consulter la section Renseignements pour le dépannage).

DÉPANNAGE

Assurez-vous d'avoir suivi attentivement toutes les instructions fournies avec votre horloge. Ces dernières répondent en détail à la plupart des questions. Rendez visite au site web pour consulter la liste de questions fréquemment posées pour résoudre tout problème ou obtenir des réponses à vos questions.

DIFFICULTÉ À FAIRE TOURNER LE CADRAN LUNAIRE

Si le cadran lunaire ne tourne pas (comme indiqué à l'étape 4), cela peut indiquer que les engrenages qui font automatiquement avancer la lune sont enclenchés. Pour corriger cette situation, tourner la main minutieuse en arrière 3-1/2 heures comme décrit dans ETAPE 5 de la série sur l'opération, régler le cadran de lune, et alors régler le temps comme décrit dans ETAPE 6.

GONGAUSSWAHL

Sie können die Gongmelodie mit einem besonderen Hebel auf dem Uhrziffernblatt auswählen.

Einige Modelle spielen nur den Westminster-Gong, während andere eine Auswahl von drei Melodien bieten. Einige Modelle haben auch eine Wahlmöglichkeit für automatische Reihenfolge. Mit dieser Einrichtung kann das Uhrwerk die Gongauswahl automatisch jede Stunde ändern. Die Reihenfolge oder die Wahl einer dieser drei Melodien erfolgt mit dem Gonghebel.

Wenn das Ziffernblatt "Chime-Silent" (Gong still) anzeigt, besitzt Ihre Uhr nur den Westminster-Gong. Wenn Ihre Uhr ein Werk mit drei Gongmelodien hat, zeigt der Gonghebel die Melodienauswahl an.

Alle Standuhrwerke haben den Big Ben-Schlag, der jede Viertelstunde anschlägt. **NICHT** versuchen, den Gonghebel zu verschieben, während die Uhr schlägt. Dies könnte den Gongmechanismus beschädigen. Siehe Abbildung 18 für die Zeiten, zu denen Sie den Auswahlhebel für den Gong verschieben können, ohne das Uhrwerk zu beschädigen.

PFLGE UND WARTUNG

Ihre Uhr benötigt wenig Pflege und Wartung. Im folgenden sind einige Schritte angegeben, mit denen Sie die außerordentliche Qualität Ihrer Uhr aufrechterhalten können.

- Ziehen Sie Ihre Uhr alle sieben (7) Tage auf.
- Lassen Sie die Tür geschlossen.
- Wachsen und polieren Sie den Uhrenschränk so oft wie jedes andere Möbelstück. Benutzen Sie eine Wachsflüssigkeit oder ein Möbelwachs ohne Silikonzusatz.
- Überprüfen Sie von Zeit zu Zeit, ob die Uhr noch fest auf allen vier Justierschrauben steht. Dies ist besonders wichtig während der ersten paar Monate, wenn die Uhr auf Teppichboden steht. Da die Füße der Uhr in den Teppich einsinken, könnte sie aus dem Lot sein. Es kann sein, daß eine oder alle der Schrauben neu justiert werden müssen.
- Überprüfen Sie die Gewichte gelegentlich, um sicher zu sein, daß sie noch fest eingehängt sind.
- Es wird empfohlen, das Uhrwerk alle zwei (2) Jahre nach dem Kaufdatum ölen zu lassen und je nach den klimatischen Bedingungen alle fünf (5) bis zehn (10) Jahre gründlich reinigen zu lassen. Bei extrem trockener, feuchter oder salziger Luft sowie extremer Hitze oder Kälte muß die Uhr möglicherweise öfters gewartet werden. Wir empfehlen nicht, dass Sie die Uhr-Bewegung selbst bedienen. Setzen Sie sich mit einem Autorisierten Dienstzentrum in Verbindung. (Siehe Abschnitt „Service-Informationen“.)

FEHLERSUCHE

Vergewissern Sie sich, daß alle Anweisungen, die mit Ihrem Produkt geliefert wurden, sorgfältig befolgt worden sind. Diese Anweisungen geben Ihnen genaue Information für die Beantwortung der meisten Fragen. Auf der Webseite finden Sie eine Liste von häufig gestellten Fragen, die Ihr Problem evtl. auf einfache Weise lösen bzw. Ihre Fragen beantworten können.

SCHWIERIGKEITEN BEIM DREHEN DER MONDSCHLEIBE

Wenn sich die Mondscheibe nicht (wie in SCHRITT 4 der Anleitung beschrieben) drehen lässt, stehen die Zahnräder, die die Mondscheibe automatisch vorwärts bewegen, eventuell nicht im Eingriff. Um diese Lage zu korrigieren, drehen Sie den Minutenzeiger umgekehrte 3-1/2 Stunde, so beschrieben in SCHRITT 5 des Satzes auf Betrieb, setzt die Mondwählscheibe, und dann die Zeit setzt, wie beschrieben in SCHRITT 6.

SI SU RELOJ NO SUENA CUANDO DEBE

Si su reloj suena más de un minuto antes o después de cuando debe, debe quitar la manecilla del minuto para ajustarlo.

PRECAUCION: Al hacer esta operación asegúrese de no rayar la tuerca, la manecilla o la carátula del reloj.

1. Cuando el reloj comience a sonar, pare el péndulo y anote la hora.
2. Usando unas pinzas o alicates, cuidadosamente quite la tuerca que sostiene a la manecilla del minuto, girándola hacia la izquierda, mientras que al mismo tiempo mantiene firme al minuterero.
3. Jale la manecilla, sosteniéndola en el punto donde se inserta al eje. Esta manecilla no está enroscada, y debe poder deslizarse fácilmente. El minuterero tiene una orilla que sobresale de la parte de atrás, alrededor del hoyo donde se inserta el eje. Este es el casquillo. Usando las pinzas, apriete firmemente el casquillo a los lados, asegurándose de que no se pueda resbalar. Con su otra mano, gire la manecilla la distancia necesaria para que suene a la hora correcta. (Ver figura 19).
4. Ponga nuevamente la manecilla en el eje, y enrosque la tuerca con sus dedos. Asegúrese de que ambas manecillas indiquen la hora que anotó en el paso 1, además de la corrección en el paso 3. Si el minuterero no apunta al número correcto, repita los pasos 2 y 3.
5. Apriete la tuerca con las pinzas. No lo apriete demasiado.
6. Comience la operación del péndulo.
7. Para poner la hora nueva **UNICAMENTE EL MINUTERO** a izquierdas (hacia atrás) tal y como se explica en el paso 5 de la operación de instalación.

EJEMPLO: El reloj suena a la 1:10, cuando debe sonar a la 1:15.

Paso 1: Cuando el reloj suene a la 1:10, pare el péndulo y anote la hora (1:10).

Paso 2: Cuidadosamente quite la tuerca. Paso 3: Jale la manecilla del minuto. Sostenga el casquillo de los lados, y dele vuelta la distancia necesaria para ajustarlo 5 minutos. Paso 4: Coloque el minuterero de tal manera que éste indique 1:15. Instale nuevamente la tuerca. Paso 5: Apriete la tuerca. Paso 6: Comience la operación del péndulo. Paso 7: Ponga la hora correcta a su reloj.

SI SU RELOJ NO INDICA LA HORA CORRECTA

Si después de varias horas de estar operando, su reloj no indica sonoramente la hora correcta, mueva **UNICAMENTE LA MANECILLA DE LA HORA** hacia adelante o hacia atrás, de tal modo que quede alineado con el número de veces que suene el carillón. El rotar esta manecilla independientemente de la otra no daña el reloj.

Si es necesario ajustar el minuterero (para corregir la hora), muévalo a izquierdas (hacia atrás) como se explica en el paso 5: Cómo Poner la Hora.

SI EL RELOJ NO INDICA LA HORA AUDIBLEMENTE

1. Asegúrese de que la selección del carillón no esté en la posición de "silent" (silencio), o que se encuentre en medio de dos posiciones.
2. Asegúrese de que todo el material de empaque usado para el transporte se haya removido del área del mecanismo.
3. Asegúrese de que las pesas estén colgando del lugar correcto. Revise la etiqueta adhesiva en la parte de abajo de cada pesa, para asegurar su posición.
4. Para modelos con silenciador nocturno, asegúrese que el reloj no esté en esa posición. (Para referencias, favor de ver la sección de OPCIÓN DE SILENCIADOR NOCTURNO en Información General.)
5. Revise el martillo, y ajuste el tono si es necesario.
6. Mueva la palanca para selección de melodías hacia otra selección o hacia "silent" (silencio).
7. Podría ser que los empaques de esponja que se encuentran encima de las poleas de los cables estén inmovilizándolos. Retire cuidadosamente los empaques de esponja levantando cada uno de ellos hasta apartarlos de la polea del cable. Después empújelos suavemente hacia atrás a través de los cables. No use herramientas para retirar los empaques. No deje que el cable traslade el tambor.

PARTE DE ATRAS DEL MINUTERO
DOS DE L'AIGUILLE DES MINUTES
RÜCKSEITE DES MINUTENZEIGERS

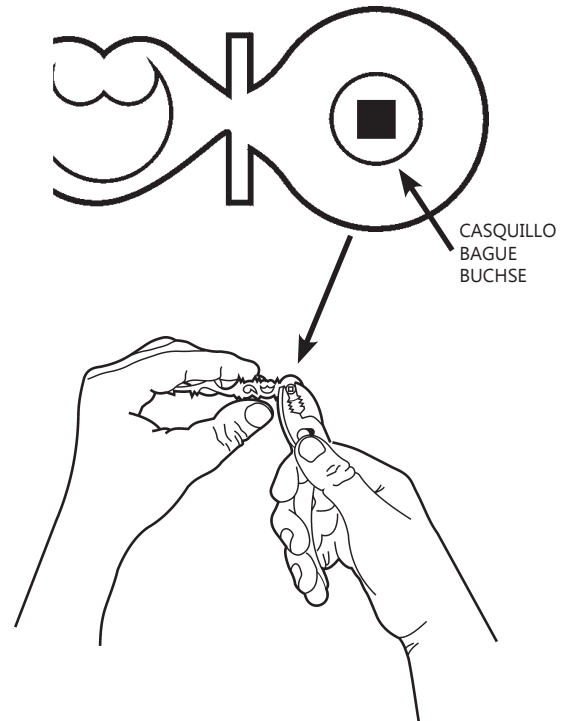


FIGURA 19
FIGURE 19
ABBILDUNG 19

LE CARILLON NE JOUE PAS À LA BONNE HEURE

Si le carillon accuse un retard ou une avance de plus d'une minute, il faut retirer l'aiguille des minutes et la régler.

ATTENTION : lorsque vous procédez à ce réglage, ayez soin de ne pas égratigner l'écrou, l'aiguille ou le cadran.

1. Lorsque le carillon commence à jouer, arrêtez le pendule et prenez note de l'heure.
2. À l'aide de pinces, retirez soigneusement le petit écrou qui retient l'aiguille des minutes en le tournant dans le sens contraire des aiguilles d'une montre, tout en retenant l'aiguille du bout des doigts au niveau de l'écrou.
3. Retirez l'aiguille de son arbre en l'agrippant du bout des doigts à l'endroit où elle est rattachée à l'arbre. Tirez droit. Elle n'est pas vissée et devrait s'enlever facilement. Son dos est légèrement bombé autour de l'orifice de l'arbre; il s'agit de la bague. Servez-vous de pinces pour en agripper solidement les côtés de façon à ce qu'elle ne puisse s'échapper. Avancez ou reculez l'aiguille de l'autre main, de la distance suffisante pour que le carillon joue à la bonne heure (figure 19).
4. Rattachez l'aiguille à l'arbre et vissez bien l'écrou à la main. Assurez-vous que l'aiguille pointe vers l'heure notée à l'étape 1, plus ou moins toute correction effectuée à l'étape 3. Si ce n'est pas le cas, répétez les étapes 2 et 3.
5. Vissez bien l'écrou avec les pinces, en ayant soin de ne pas trop serrer.
6. Mettez le pendule en marche.
7. Pour régler l'heure, déplacez dans le sens inverse des aiguilles d'une montre (en arrière) L'AIGUILLE DES MINUTES, comme indiqué à l'étape 5 du réglage initial.

EXEMPLE : le carillon joue à 13h10 plutôt qu'à 13h15.

Étape 1: lorsque le carillon joue à 13h10, arrêtez le pendule et prenez note de l'heure (soit 13h10). Étape 2 : retirez soigneusement le petit écrou. Étape 3 : retirez l'aiguille des minutes. Agrippez la bague par ses côtés et avancez l'aiguille de cinq minutes. Étape 4 : rattachez l'aiguille de façon à ce qu'elle pointe vers 13h15. Remplacez l'écrou à la main. Étape 5 : resserrez l'écrou avec les pinces. Étape 6 : mettez le pendule en marche. Étape 7 : réglez l'heure.

L'HORLOGE NE SONNE PAS À LA BONNE HEURE

Si après plusieurs heures de fonctionnement l'horloge ne sonne toujours pas à la bonne heure, agrippez **SEULEMENT L'AIGUILLE DES HEURES** et déplacez-la vers l'avant ou l'arrière pour l'aligner sur la bonne heure du cadran indiquée par le nombre de coups sonnés. Le fait de déplacer cette aiguille par elle-même n'endommagera pas l'horloge.

Pour régler l'aiguille des minutes à l'heure correcte, déplacez-la dans le sens inverse des aiguilles d'une montre (en arrière), comme indiqué à l'étape 5, Réglage de l'heure.

LE CARILLON OU LA SONNERIE NE FONCTIONNENT PAS

1. Assurez-vous que le levier de sélection des mélodies n'est pas en position «Silent» (assourdissement) ou entre deux mélodies.
2. Assurez-vous que le mouvement n'est pas encombré par du matériel d'emballage.
3. Assurez-vous que les poids sont suspendus au bon endroit en vérifiant les étiquettes sous chacun.
4. Pour les modèles munis d'un mécanisme d'assourdissement la nuit, assurez-vous que ce mode n'est pas sélectionné. (Reportez-vous à la rubrique OPTION D'ASSOURDISSEMENT AUTOMATIQUE LA NUIT de la section Généralités).
5. Vérifiez le réglage des marteaux et la bonne tonalité du carillon au besoin.
6. Amenez le levier à une mélodie différente ou sur « silence ».
7. Enlevez les blocs de mousse de polystyrène. Pour cela, soulevez chaque bloc tout droit jusqu'à ce qu'il passe la poulie des câbles. Ensuite, poussez-le doucement à travers les câbles. N'utilisez pas d'outil pour enlever les blocs. Ne laissez pas le câble se chevaucher sur le tambour.

GONG SCHLÄGT NICHT ZUR RICHTIGEN ZEIT

Wenn der Gong mehr als eine Minute vor oder nach der richtigen Zeit schlägt, sollte der Minutenzeiger entfernt und justiert werden.

VORSICHT: Seien Sie vorsichtig, daß Sie dabei nicht die Zeigerzeigermutter, den Zeiger oder das Ziffernblatt verkratzen.

1. Wenn der Gong zu schlagen beginnt, halten Sie das Pendel an und notieren Sie die Zeit.
2. Entfernen Sie vorsichtig mit einer Zange die kleine Zeigerzeigermutter, die den Minutenzeiger befestigt, indem Sie die Zeigerzeigermutter dem Uhrzeiger entgegengesetzt drehen, während Sie gleichzeitig den Minutenzeiger mit Ihren Fingern nahe an der kleinen Schraubenmutter halten.
3. Entfernen Sie den Zeiger von dem Zeigerschaft, indem Sie ihn mit Ihren Fingern an dem Punkt anfassen, an dem er an dem Schaft befestigt ist. Ziehen Sie den Zeiger gerade nach vorn ab. Dieser Zeiger ist nicht angeschraubt und sollte sich leicht entfernen lassen. Der Minutenzeiger hat eine kleine erhabene Stelle auf der Rückseite direkt um die Schaftöffnung herum. Dies ist die Zeigerbuchse. Fassen Sie mit einer Zange diese Buchse fest an ihrer Seite an, so daß sie sich nicht in der Zange verrücken kann. Drehen Sie mit Ihrer anderen Hand den Uhrzeiger vorwärts oder rückwärts bis der Gong zur richtigen Zeit schlägt. (Siehe Abbildung 19).
4. Befestigen Sie den Zeiger wieder auf dem Vierkantschaft und schrauben Sie die Zeigerzeigermutter mit den Fingern fest. Vergewissern Sie sich, daß der Zeiger auf die gleiche Stelle zeigt, die Sie in Schritt 1 notiert haben, plus etwaige Korrekturen, die Sie in Schritt 3 vorgenommen haben. Wenn der Zeiger nicht auf die korrekte Stelle deutet, wiederholen Sie Schritte 2 und 3.
5. Befestigen Sie die Zeigerschraubenmutter mit der Zange, ziehen Sie sie jedoch nicht zu fest an.
6. Starten Sie das Pendel.
7. Zum Einstellen der Zeit bewegen Sie **NUR DEN MINUTENZEIGER** entsprechend der Beschreibung unter Schritt 5 im Abschnitt zum Aufstellen Ihrer Uhr gegen den Uhrzeigersinn (rückwärts).

BEISPIEL: Der Gong schlägt um 13.10 Uhr, sollte aber erst um 13.15 Uhr schlagen.

Schritt 1: Wenn der Gong um 13.10 Uhr schlägt, halten Sie das Pendel an und notieren Sie die Zeit 13.10 Uhr. Schritt 2: Entfernen Sie vorsichtig die kleine Zeigerzeigermutter. Schritt 3: Entfernen Sie den Minutenzeiger. Halten Sie die Zeigerbuchse an der Seite und drehen Sie den Zeiger um 5 Minuten vorwärts. Schritt 4: Befestigen Sie wieder den Zeiger, so daß er auf 13.15 Uhr zeigt. Befestigen Sie die Zeigerzeigermutter mit den Fingern. Schritt 5: Ziehen Sie die Zeigerzeigermutter fest an. Schritt 6: Starten Sie das Pendel. Schritt 7: Stellen Sie die Uhr wieder auf die aktuelle Zeit ein.

UHR SCHLÄGT NICHT DIE RICHTIGE STUNDE

Wenn die Uhr nach mehreren Stunden des Betriebs nicht die richtige Stunde schlägt, nehmen Sie **NUR DEN STUNDENZEIGER** und bewegen Sie ihn voroder rückwärts, um ihn mit der richtigen Stunde auf dem Zifferblatt gleichzustellen, die von der Anzahl der Stundenschläge angezeigt wurde. Die Uhr wird durch das unabhängige Drehen des Zeigers nicht beschädigt werden. Wenn der Minutenzeiger (auf die richtige Zeit) eingestellt werden muß, bewegen Sie den Minutenzeiger entsprechend der Beschreibung in Schritt 5 „Zeit einstellen“ gegen den Uhrzeigersinn (rückwärts).

GONG UND STUNDENSCHLAG FUNKTIONIEREN BEIDE NICHT

1. Vergewissern Sie sich, daß sich der Auswahlhebel nicht in der Position „silent“ oder auf halbem Weg zwischen zwei Gongmelodien befindet.
2. Vergewissern Sie sich, daß alles Verpackungsmaterial aus dem Bereich des Uhrwerks entfernt worden ist.
3. Vergewissern Sie sich, daß die Gewichte in der korrekten Position hängen. Sehen Sie auf dem Etikett an der Unterseite jedes Gewichtsnach, um die richtige Position festzustellen.
4. Bei Modellen, bei denen der Gong nachts abgestellt werden kann, vergewissern Sie sich, daß sich die Uhr nicht in dem abgestellten Modus befindet. (Zur Bezugnahme: Siehe AUTOMATISCHE OPTION ZUM ABSTELLEN DES GONGS BEI NACHT im Abschnitt „Allgemeine Information“).
5. Überprüfen Sie die Hammereinstellung und korrigieren Sie den Gongton, falls notwendig.
6. Stellen Sie den Auswahlhebel für den Gong auf eine andere Melodie oder auf „silent“ (still).
7. Es kann vorkommen, daß die Styroporblöcke das Seil über den Seilaufzugsrollen blockieren. Entfernen Sie die Styroporblöcke vorsichtig, indem Sie den Block gerade nach oben heben, bis er von der Seilaufzugsrolle gelöst ist, und schieben Sie den Block dann vorsichtig durch die Drahtseile nach hinten. Verwenden Sie keine Werkzeuge zum Entfernen der Blöcke. Das Seil darf sich nicht auf der Trommel überschneiden.

CUANDO LA MELODIA NO TIENE LA TONALIDAD CORRECTA

NO AJUSTE LOS MARTILLOS, a menos que el tono sea incorrecto. El tono puede ser afectado por los martillos que no peguen directamente en las barras, o si los martillos están incorrectamente tocando las barras durante reposo. Aunque estos fueron ajustados en la fábrica, es posible que se hayan desajustado. Para la mayoría de los relojes, no será necesario ajustar los martillos. Existen diferentes tipos de carillones, tubos y barras; favor de encontrar el suyo a continuación.

BARRA DE CARILLON - los brazos de los martillos de este tipo de barra son hechos de cobre, y por lo tanto pueden ser doblados con facilidad. En caso de ser necesario, ajuste los martillos de tal manera que no interfieran unos con los otros. Esto se logra doblando los brazos de los martillos en medio, para que cada martillo descansa aproximadamente 1/8" (0,25 cm.) de la barra. (Ver figura 20). **NO DOBLE** las barras. El volumen no puede ser ajustado en un mecanismo con barras de carillón.

TUBO DE CARILLON - Los brazos de los martillos son hechos de acero; **NO DOBLE** los brazos de los martillos. La claridad del sonido se determina por la distancia entre el martillo y el tubo, lo cual es típicamente 1/16" (0,125 cm.) (Ver figura 21). Sin embargo, la distancia puede ser ajustada enroscando y desenroscando el tornillo que sujeta al hilo del martillo. (Ver figura 22).

IMPORTANTE: Si la tensión es demasiada, puede ocasionar que la melodía pare durante su ciclo. Por lo tanto, este ajuste debe ser hecho cuidadosamente.

NOTA: El tornillo de tensión de martillo es ajustados en la fábrica, y no es ajustable.

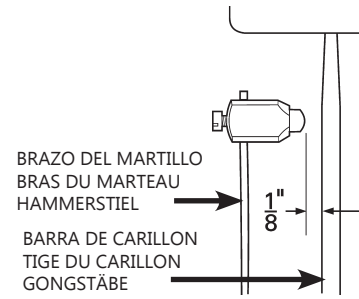
LAS PESAS NO BAJAN AL MISMO NIVEL

Si se selecciona la opción de silenciador nocturno automático, y en algunos modelos la opción "silent" (silencio), la pesa de en medio baja a mayor velocidad que las otras.

SI SU RELOJ NO FUNCIONA

No recomendamos reparar su propio reloj, sin embargo debe revisar los siguientes artículos antes de ponerse en contacto con nosotros, su vendedor o un Centro de Servicio Autorizado. (Vea la Sección de Información de Servicio.) No trate de efectuar ningún ajuste que no crea ser capaz de realizar.

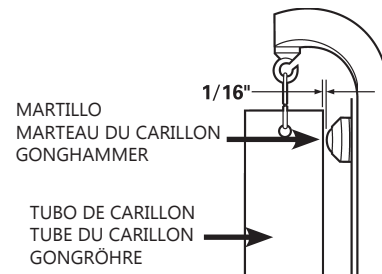
1. Removió todo el material de empaque del área del mecanismo?
2. Removió el resorte de la guía del péndulo de la parte de atrás del mecanismo?
3. Intentó re-empezar su reloj? Se necesita estar en tiempo sureloj par seguir corriendo.
4. Están en el lugar correcto las pesas? Revise la parte de abajo de cada pesa para cerciorarse de esto.
5. Está pegándole el péndulo a las barras o las pesas? De ser así, revise la nivelación y estabilidad del reloj.
6. Está nivelado el reloj?
7. Se ha soltado una polea del cable, o una cadena del diente?
8. Tienen libertad de operación las manecillas? No deje que la manecilla de la hora toque al segundero. Si el segundero está rozando la carátula, jálela hacia afuera un poco. Si la manecilla de la hora está rozando al minuterero, la manecilla de la hora debe ser presionada y acercada a la carátula (puede hacer esto con la uña de sus dedos, empujando la parte central de la manecilla).
9. Revisó el resorte en la parte de atrás de la carátula de la fase lunar?
10. ¿Quitó usted los bloques de espuma de poliestireno antes ellos llegaron a ser flojos por la operación normal? (ocurre típicamente después que ocho (8) horas de corre tiempo)
11. Revisó el resorte de suspensión? Si está dañado, debe ser cambiado. (Ver figura 23).
12. Se encuentra correctamente colocado el pasador del fuste en la guía del péndulo? Si no es así, posicione correctamente este pasador. (Ver figura 23).
13. Podría ser que los empaques de esponja que se encuentran encima de las poleas de los cables estén inmovilizándolos. Retire cuidadosamente los empaques de esponja levantando cada uno de ellos hasta apartarlos de la polea del cable. Después empujélos suavemente hacia atrás a través de los cables. No use herramientas para retirar los empaques. No deje que el cable traslape el tambor.



BRAZO DEL MARTILLO
BRAS DU MARTEAU
HAMMERSTIEL

BARRA DE CARILLON
TIGE DU CARILLON
GONGSTÄBE

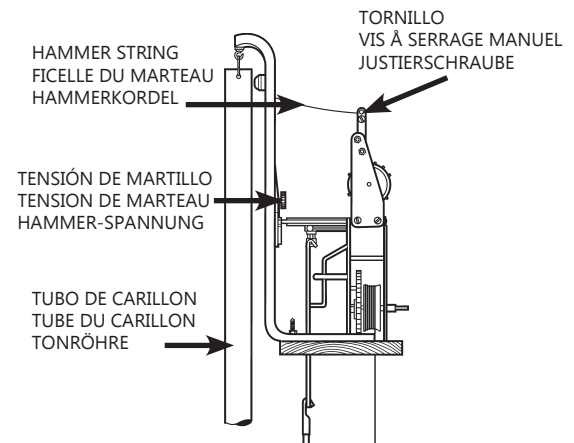
FIGURA 20
FIGURE 20
ABBILDUNG 20



MARTILLO
MARTEAU DU CARILLON
GONGHAMMER

TUBO DE CARILLON
TUBE DU CARILLON
GONGRÖHRE

FIGURA 21
FIGURE 21
ABBILDUNG 21



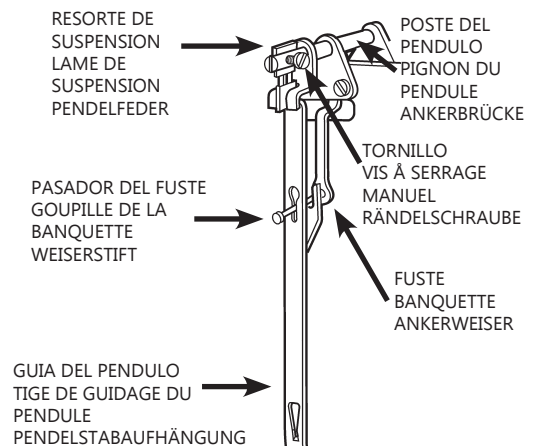
HAMMER STRING
FICELLE DU MARTEAU
HAMMERKORDEL

TENSIÓN DE MARTILLO
TENSION DE MARTEAU
HAMMER-SPANNUNG

TUBO DE CARILLON
TUBE DU CARILLON
TONRÖHRE

TORNILLO
VIS À SERRAGE MANUEL
JUSTIERSCHRAUBE

FIGURA 22
FIGURE 22
ABBILDUNG 22



RESORTE DE SUSPENSIÓN
LAME DE SUSPENSIÓN
PENDELFEDER

PASADOR DEL FUSTE
GOUPILLE DE LA BANQUETTE
WEISERSTIFT

GUIA DEL PENDULO
TIGE DE GUIDAGE DU PENDULE
PENDELSTABAUFHÄNGUNG

POSTE DEL PENDULO
PIGNON DU PENDULE
ANKERBRÜCKE

TORNILLO
VIS À SERRAGE MANUEL
RÄNDELSCHRAUBE

FUSTE BANQUETTE
ANKERWEISER

FIGURA 23
FIGURE 23
ABBILDUNG 23

LE CARILLON NE JOUE PAS LA BONNE TONALITÉ

NE RÉGLEZ PAS LES MARTEAUX, à moins que la tonalité soit incorrecte. Cette dernière peut être affectée par les marteaux reposant sur les tiges du carillon ou par une frappe non centrée. Bien qu'ils aient été ajustés à l'usine, il est possible qu'ils doivent faire l'objet d'un réglage. Pour la majorité des horloges, ceci ne sera cependant pas nécessaire. Comme il existe de nombreux types de carillons (à tiges et à tubes), veuillez identifier le vôtre ci-dessous.

CARILLON À TIGES Les bras de ces marteaux sont faits de laiton et peuvent être pliés sans danger. Réglez-les au besoin de façon à ce qu'ils n'entravent pas leur course en se déplaçant ou en frappant les tiges. Ceci se fait en les pliant légèrement au milieu. Chaque marteau doit se trouver à environ 3 mm (1/8 po) de sa tige (figure 20). **NE PLIEZ PAS** les tiges. Le volume des mouvements à tiges ne peut être modifié.

CARILLON À TUBES Les bras de ces marteaux sont faits d'acier à ressort; **NE LES PLIEZ PAS**. La clarté du son est déterminée par la distance entre les marteaux et les tubes, qui est normalement de 1,6 mm (1/16 po - figure 21). Cette distance peut cependant être modifiée en vissant ou en dévissant la vis à serrage manuel rattachée à la ficelle du marteau (figure 22). **Important**: si la tension est trop forte, il est possible que le carillon s'arrête pendant la mélodie. Ce réglage doit donc être effectué avec soin.

REMARQUE: La vis de tension de marteau est mise à l'usine et n'est pas ajustable.

LES POIDS NE TOMBENT PAS ÉGALEMENT

Quand la fonction d'arrêt automatique de nuit est sélectionnée, et sur certains modèles la fonction « silence », le poids central ne descend pas aussi rapidement que les autres poids.

L'HORLOGE NE FONCTIONNE PAS

Bien qu'il ne soit pas recommandé que le propriétaire répare l'horloge, il faut vérifier les articles suivants avant de nous contacter, son concessionnaire ou un centre de réparation agréé (consulter la section Renseignements pour le dépannage). N'essayez pas de faire des réglages si vous ne vous sentez suffisamment compétent.

1. Le matériel d'emballage a-t-il été complètement retiré du mouvement?
2. L'attache à ressort de la tige de guidage du pendule a-t-elle été retirée du dos du mouvement?
3. Avez-vous essayé de remettre l'horloge en marche? Pour fonctionner, elle doit "battre la mesure".
4. Les poids sont-ils suspendus aux bons endroits? Vérifiez l'étiquette au bas de chacun.
5. Le pendule frappe-t-il les poids ou les tiges du carillon? Dans l'affirmative, vérifiez que l'horloge est à niveau et stable.
6. L'horloge est-elle à niveau?
7. Un câble s'est-il délogé de la poulie ou une chaîne de la roue dentée?
8. Les aiguilles se déplacent-elles librement? Ne laissez pas l'aiguille des heures heurter celle des secondes. Si cette dernière frotte le cadran, retirez-la légèrement. Si l'aiguille des heures frotte le dos de celle des minutes, elle doit être rapprochée du cadran (placez vos ongles de pouce sur la partie centrale de l'aiguille et appuyez).
9. Avez-vous vérifié le cliquet au dos du cadran des phases lunaires?
10. Avez-vous enlevé les blocs de polystyrène avant qu'ils soient soit devenus détachés par l'opération normale? (arrive typiquement après huit (8) heures de temps de course)
11. Avez-vous vérifié la lame de suspension? Si elle est endommagée, elle doit être remplacée (figure 23).
12. La goupille de la banquette est-elle bien insérée dans la fente de la tige de guidage du pendule? Si elle ne l'est pas, remplacez-la (figure 23).
13. Enlevez les blocs de mousse de polystyrène. Pour cela, soulevez chaque bloc tout droit jusqu'à ce qu'il passe la poulie des câbles. Ensuite, poussez-le doucement à travers les câbles. N'utilisez pas d'outil pour enlever les blocs. Ne laissez pas le câble se chevaucher sur le tambour.

GONGS HABEN FALSCHEN TON

DIE HÄMMER FÜR DEN GONG NICHT NEU EINSTELLEN, es sei denn der Gongton ist nicht korrekt. Gongton kann von den Hämmern, die auf den Gongstäbe ruhen, beeinträchtigt werden oder nicht in der Mitte angeschlagen werden. Obwohl die Hammer in der Fabrik eingestellt worden sind, kann es sein, daß sie sich verstellen. Bei den meisten Uhren wird es nicht notwendig sein, die Gonghammer neu einzustellen. Es gibt verschiedene Typen von Gongs (Stäbe oder Röhren). Bitte suchen Sie unten nach dem Typ für Ihre Uhr.

GONGSTÄBE: Hammerarme sind aus Messing angefertigt und können gebogen werden. Falls notwendig, stellen Sie die Hammer so ein, daß sie sich beim Bewegen oder Anschlagen der Gongstäbe nicht gegenseitig berühren. Dies kann erreicht werden, indem Sie die Hammerarme in der Mitte leicht anbiegen, so daß sich jeder Hammer etwa 3 mm (1/8in.) von jeder Stange entfernt befindet. (Siehe Abbildung 20). Die Gongstangen **NICHT** biegen. Die Lautstärke des Gongs kann nicht an dem Gong selbst eingestellt werden.

GONGRÖHRE: Hammerarme sind aus Federstahl angefertigt; die Hammerarme **NICHT** biegen. Die Klarheit des Klangs wird durch die Entfernung des Hammers zu der Gongröhre bestimmt. Dies ist normalerweise weniger als (1/16in.). (Siehe Abbildung 21). Die Entfernung kann jedoch eingestellt werden, indem man die Justierschraube, die an der Hammerkordel angeschlossen ist, anzieht. (Siehe Abbildung 22). **Wichtig**: Wenn die Spannung zu stark ist, kann dies den Gong während des Schlagens anhalten. Diese Einstellung sollte deshalb vorsichtig ausgeführt werden.

HINWEIS: Die Hammer-Spannungsschraube ist an die Fabrik gesetzt, und ist **NICHT** verstellbar.

GEWICHTE SENKEN SICH NICHT GLEICHMÄSSIG

Wenn die Uhr auf automatisches Abstellen des Gongschlags bei Nacht eingestellt ist bzw. bei Einstellung von manchen Modellen auf „silent“ (still), senkt sich das Mittelgewicht schneller als die anderen Gewichte.

UHR LÄUFT NICHT

Obwohl nicht empfohlen wird, Ihre Uhr selbst zu reparieren, sollten Sie diese Artikel vor dem Kontaktieren mit uns, Ihren Fachhändler oder ein genehmigtes Service-Center wenden. (Siehe Abschnitt „Service-Informationen“.) Nehmen Sie keine Einstellungen vor, die Sie sich nicht zutrauen.

1. Ist alles Verpackungsmaterial vom Uhrwerkbereich entfernt worden?
2. Ist die Federklemme der Pendelstabaufhängung am Rückteil des Uhrwerks entfernt worden?
3. Haben Sie versucht, Ihre Uhr neu zu starten? Für das Laufen Ihrer Uhr ist es wichtig, im Rhythmus zu sein.
4. Hängen die Gewichte in ihrer richtigen Position? Sehen Sie unter jedem Gewicht nach der richtigen Position nach.
5. Schlägt das Pendel gegen die Gewichte oder die Gongröhre? Wenn ja, kontrollieren Sie, ob die Uhr justiert ist und stabil steht.
6. Steht die Uhr im Lot?
7. Ist eine Seilrolle von dem Drahtseil abgegangen oder eine Kette von der Walze?
8. Funktionieren die Zeiger ohne steckenzubleiben? Lassen Sie den Stundenzeiger nicht mit dem Sekundenzeiger in Berührung kommen. Wenn der Sekundenzeiger auf das Ziffernblatt aufreißt, ziehen Sie ihn etwas nach vorn. Wenn der Stundenzeiger gegen die Rückseite des Minutenzeigers reibt, sollte der Stundenzeiger näher an das Ziffernblatt gerückt werden (drücken Sie mit Ihrem Daumennagel auf den Mittelteil des Stundenzeigers).
9. Haben Sie die Federsperre auf dem Rückteil des Mondziffernblatts überprüft?
10. Haben Sie die Styroporblöcke herausgenommen, bevor sie locker durch normalen Betrieb geworden sind? (Findet typisch nach acht (8) Stunden der Laufzeit statt)
11. Haben Sie die Pendelfeder überprüft? Sie muß ersetzt werden, wenn sie beschädigt ist. (Siehe Abbildung 23).
12. Ist der Weiserstift richtig in den Schlitzen der Pendelstabaufhängung positioniert? Wenn nicht, bringen Sie den Weiserstift in die richtige Position. (Siehe Abbildung 2).
13. Es kann vorkommen, daß die Styroporblöcke das Seil über den Seilzugsrollen blockieren. Entfernen Sie die Styroporblöcke vorsichtig, indem Sie den Block gerade nach oben heben, bis er von der Seilzugsrolle gelöst ist, und schieben Sie den Block dann vorsichtig durch die Drahtseile nach hinten. Verwenden Sie keine Werkzeuge zum Entfernen der Blöcke. Das Seil darf sich nicht auf der Trommel überschneiden.

GARANTIA

Esta garantía es nuestra promesa y compromiso de que nuestros productos han sido fabricados utilizando los mejores materiales y han sido inspeccionados a fondo antes de ser enviados desde nuestras instalaciones.

Los relojes de suelo están garantizados para que el consumidor o destinatario original esté libre de defectos de fabricación en materiales y mano de obra en condiciones normales de uso y servicio desde la fecha de compra por un período de 2 años.

Los relojes de suelo de origen están garantizados para el consumidor original o el destinatario estar libre de defectos de fabricación en materiales y mano de obra en condiciones normales de uso, y el servicio a partir de la fecha de compra por un período de 1 año.

Esta garantía no incluye: daños al producto o componentes resultantes de abuso, accidente, alteración o condiciones climáticas / ambientales; Daños resultantes del desgaste normal, uso indebido o reparación no autorizada; Variaciones naturales en el grano de madera o cambios en los acabados superficiales debido al envejecimiento o a la exposición a la luz. La obligación de la compañía bajo esta garantía se limitará a reparar el producto o componente, o a su opción, reemplazándolo con un nuevo producto o componente.

Se requiere una copia del recibo de compra u otra prueba comparable de la compra original para obtener el servicio de garantía. Algunos estados no permiten la exclusión o limitación de daños incidentales o consecuentes o la limitación de cuánto tiempo dura una garantía implícita, por lo que las limitaciones o exclusiones anteriores pueden no aplicarse a usted. Esta garantía le otorga derechos legales específicos y también puede tener otros derechos que varían de un estado a otro.

Daños a la carga

Al aceptar nuestro producto para el envío, el transportista reconoce que el producto está en condiciones de Primera Clase. Al firmar (o cualquier otra persona que firma en su nombre) para aceptar el envío, usted reconoce que el producto ha sido recibido en la misma condición de primera clase que se envió. Si el cartón es triturado o dañado de otra manera, indique al conductor que note el daño en la factura de carga y presente una reclamación inmediatamente con el transportista. Para su protección, le sugerimos que inspeccione todas las mercancías en el momento de la entrega, antes de firmar el conocimiento de embarque. Cuando usted o su representante firman sin previo aviso de cualquier daño, escasez o excepción, usted acepta y posee la mercancía, tal como se entregó.

Daños ocultos en la carga

Informe inmediatamente cualquier daño al transportista. Algunas compañías requieren notificación de daños dentro de 2-3 días después del parto. Si el daño se descubre después de la entrega, usted (el consignatario) es responsable de presentar una reclamación por daños ocultos por escrito al transportista, pidiéndole al transportista que realice una inspección y cree un informe de daños. La presentación de esta reclamación es su responsabilidad, sin embargo, le ayudaremos con el proceso y actuaremos como su defensor para alcanzar una resolución satisfactoria con el transportista.

LA COMPAÑÍA RENUNCIA A CUALQUIER RESPONSABILIDAD POR DAÑOS INCIDENTALES O CONSECUENTES RESULTANTES DE INCUMPLIMIENTO DE ESTA GARANTÍA O CUALQUIER GARANTÍA IMPLÍCITA. LAS GARANTÍAS IMPLÍCITAS DE ESTE PRODUCTO SERÁN EFECTIVAS SOLAMENTE PARA LA DURACIÓN DE LA GARANTÍA EXPRESA ESTABLECIDA ANTES, Y NO EXISTEN GARANTÍAS EXPRESAS O IMPLÍCITAS (INCLUYENDO COMERCIABILIDAD O ADECUACIÓN PARA UN PROPÓSITO PARTICULAR) EN ESTE PRODUCTO.

INFORMACION DE SERVICIO

En el caso improbable de que su producto aparezca estar defectuoso o requiera reparación dentro del período de garantía, comuníquese con su distribuidor o con la empresa que proporcionó el artículo si se trataba de un premio. Serán su primer recurso para obtener información acerca de sus opciones de garantía y servicio.

Si su reloj de piso tiene más de dos años de antigüedad desde la fecha de compra o recibo como un premio, su producto ya no está bajo la garantía del fabricante. El soporte para productos que ya no están bajo garantía está disponible a través del "Centro de ayuda" en www.ridgewayclocks.com.

Le recomendamos que lea y siga cuidadosamente todas las instrucciones proporcionadas con su producto Ridgeway antes de continuar con el servicio. Estas instrucciones proporcionarán información detallada para responder a la mayoría de las preguntas.

Para encontrar información adicional con respecto a su producto, para pedir piezas o para encontrar un centro de servicio, diríjase al "Centro de ayuda" ubicado en www.ridgewayclocks.com. El "Centro de ayuda" también contiene enlaces a manuales de producto, instrucciones, videos y preguntas frecuentes.

Antes de ponerse en contacto con su distribuidor, proveedor de premios o un centro de servicio, por favor tenga disponible la siguiente información. El número de modelo y el número de serie se encuentran en la etiqueta de información del producto, que normalmente se encuentra en la parte posterior o inferior del producto.

Número de modelo: _____ Número de serie: _____
Fecha de compra: _____ Donde se adquirió: _____

Si su reloj de piso se envió directamente a usted, es su responsabilidad de informar de pérdida de carga o daños al transportista y su minorista o proveedor de premios. Si la caja indica signos de "daño visible", indique al conductor que note el daño en la factura de carga. Si el daño se encuentra después de que el artículo ha sido entregado, notifique a su minorista o proveedor de premios y el transportista de inmediato. Muchos transportistas requieren notificación dentro de 2 días. Si no notifica al transportista dentro de los plazos requeridos, puede renunciar a sus derechos a una reclamación por daños y usted puede ser responsable por el daño.

AJUSTES MENORES NO CUBIERTOS POR LA GARANTIA

Los siguientes ajustes menores no caen bajo la garantía. Los gastos por estas reparaciones, o por las piezas necesarias para estas reparaciones, son por cuenta del consumidor.

1. El "armado". Instrucciones para armar su reloj fueron incluidas con su producto.
2. El aceitado y la limpieza del mecanismo. El mecanismo de su reloj es una pieza mecánica, y por lo tanto, requiere de aceite y limpieza en manera regular, dependiendo de las condiciones climatológicas. Bajo circunstancias normales el mecanismo requiere aceite de alta calidad para relojes aproximadamente cada dos años a partir de la fecha de compra. Favor de contactar una persona calificada, o algún centro de los Centros de Servicio Autorizado.
3. Sustitución del Resorte de Suspensión y Ajustes al Péndulo, la Hora, y los Martillos. Las instrucciones para estos ajustes se encuentran incluidos en esta publicación.

GARANTIE

Cette garantie est notre promesse et l'engagement que nos produits ont été fabriqués en utilisant les meilleurs matériaux et ont été inspectés minutieusement avant d'être expédiés de nos installations.

Les horloges de plancher sont garanties pour le consommateur ou le destinataire d'origine d'être exempt de défauts de fabrication dans les matériaux et la main-d'œuvre dans des conditions normales d'utilisation, et le service à partir de la date d'achat pour une période de 2 ans.

Les horloges d'origine du sol sont garanties pour le consommateur original ou le destinataire d'être exempt de défauts de fabrication dans les matériaux et la main-d'œuvre dans des conditions normales d'utilisation, et le service à partir de la date d'achat pour une période d'un an.

Cette garantie ne comprend pas: les dommages au produit ou aux composants résultant d'abus, d'accident, d'altération ou de conditions climatiques / environnementales; Dommages résultant d'une usure normale, d'une mauvaise utilisation ou d'une réparation non autorisée; Des variations naturelles du grain de bois ou des changements de finitions de surface dues au vieillissement ou à l'exposition à la lumière. L'obligation de la société en vertu de la présente garantie est limitée à la réparation du produit ou composant, ou à son choix, en le remplaçant par un nouveau produit ou composant.

Une copie du reçu d'achat ou autre preuve comparable de l'achat initial est requise pour obtenir le service sous garantie. Certains états ne permettent pas l'exclusion ou la limitation des dommages accessoires ou consécutifs ou la limitation de la durée d'une garantie implicite, de sorte que les limitations ou exclusions ci-dessus peuvent ne pas s'appliquer à vous. Cette garantie vous donne des droits légaux spécifiques et vous pouvez également avoir d'autres droits qui varient d'un état à l'autre.

Dommages à la cargaison

En acceptant notre produit pour l'expédition, le transporteur reconnaît que le produit est en première classe. En signant (ou toute autre personne signant en votre nom) pour accepter l'expédition, vous reconnaissez que le produit a été reçu dans la même condition de première classe qui a été expédiée. Si le carton est écrasé ou endommagé, demandez au conducteur de noter les dommages sur la facture de fret et de déposer une réclamation immédiatement auprès du transporteur. Pour votre protection, nous vous suggérons d'inspecter toutes les marchandises au moment de la livraison, avant de signer le connaissement. Lorsque vous ou votre représentant signez sans préavis aucun dommage, pénurie ou exception, vous acceptez et possédez la marchandise livrée.

Dégâts cachés dans la cargaison

Signaler immédiatement tout dommage au transporteur. Certains transporteurs doivent être avisés des dommages dans les 2-3 jours après la livraison. Si des dommages sont découverts après la livraison, vous (le destinataire) êtes responsable de soumettre une réclamation écrite de dommage caché au transporteur, demandant au transporteur de procéder à une inspection et de créer un rapport de dommages. Le dépôt de cette réclamation est de votre responsabilité, cependant, nous vous aiderons avec le processus et agirons en tant que votre avocat pour parvenir à une résolution satisfaisante avec le transporteur.

LA SOCIÉTÉ DÉCLINE TOUTE RESPONSABILITÉ POUR LES DOMMAGES ACCESSOIRES OU CONSÉCUTIFS RÉSULTANT D'UNE VIOLATION DE CETTE GARANTIE OU DE TOUTE GARANTIE IMPLICITE. LES GARANTIES IMPLICITES DE CE PRODUIT SONT EFFECTIVES SEULEMENT POUR LA DURÉE DE LA GARANTIE EXPRESSE DÉCRITE CI-DESSUS ET IL N'Y A AUCUNE GARANTIE EXPRESSE OU IMPLICITE (Y COMPRIS LA VALEUR MARCHANDE OU L'ADÉQUATION À UN USAGE PARTICULIER) DANS CE PRODUIT.

DES INFORMATIONS DE SERVICE

Dans le cas improbable où votre produit semble présenter un dysfonctionnement ou nécessite une réparation pendant la période de garantie, veuillez contacter votre détaillant ou la société qui a fourni l'article s'il s'agissait d'une récompense. Ils seront votre première ressource pour des informations concernant vos options de garantie et de service.

Si votre horloge de plancher est plus de deux ans à partir de la date d'achat ou de la réception comme un prix, votre produit n'est plus sous la garantie du fabricant. Le support des produits qui ne sont plus sous garantie est disponible via le «Centre d'aide» à www.ridgewayclocks.com.

Nous vous recommandons de lire attentivement et de suivre toutes les instructions fournies avec votre produit Ridgeway avant de poursuivre le service. Ces instructions fourniront des informations détaillées pour répondre à la plupart des questions.

Pour trouver des informations supplémentaires concernant votre produit, commander des pièces ou trouver un centre de service, rendez-vous au «Centre d'aide», à l'adresse www.ridgewayclocks.com. Le «Centre d'aide» contient également des liens vers des manuels, des instructions, des vidéos et des questions fréquemment posées.

Avant de contacter votre revendeur, votre fournisseur ou un centre de service, veuillez disposer des informations suivantes. Le numéro de modèle et le numéro de série se trouvent sur l'étiquette d'information du produit qui se trouve normalement au dos ou au bas du produit.

Numéro de modèle: _____ Numéro de série: _____
Date d'achat: _____ Lieu d'achat: _____

Si votre horloge de plancher a été expédiée directement à vous, il est de votre responsabilité de signaler la perte de fret ou de dommages au transporteur et votre détaillant ou fournisseur de la récompense. Si le carton indique des signes de «dommages visibles», demandez au conducteur de noter les dommages sur la facture de fret. Si des dommages sont constatés après la livraison de l'article, veuillez aviser immédiatement votre détaillant ou votre fournisseur de services. De nombreux transporteurs ont besoin d'une notification dans les 2 jours. Le défaut d'aviser le transporteur dans les délais requis peut renoncer à vos droits à une réclamation de dommages et vous pouvez être responsable des dommages.

RÉGLAGES COURANTS NON COUVERTS PAR LA GARANTIE

Les réglages courants suivants ne sont pas couverts par la présente garantie. Les réparations ou les pièces nécessaires pour y procéder sont aux frais du consommateur.

1. Installation. Les instructions d'installation ont été fournies avec votre horloge.
2. Huilage et nettoyage du mouvement mécanique. Le mouvement de l'horloge est un dispositif mécanique. Par conséquent, il doit faire l'objet d'un huilage et d'un nettoyage périodiques en fonction des conditions climatiques et environnementales. Dans des conditions normales, il doit être huilé avec de l'huile de qualité d'horlogerie environ tous les deux ans à compter de la date d'achat. Veuillez prendre contact avec un réparateur d'horloges qualifié ou un Centre de Service Autorisé pour y faire procéder.
3. Remplacement de la lame de suspension, Réglages du pendule, de l'heure et des marteaux du carillon ou de la sonnerie. Les instructions de réglage de ces pièces et mécanismes ont été fournies dans cette publication.

GARANTIE

Diese Garantie ist unser Versprechen und unsere Verpflichtung, dass unsere Produkte unter Verwendung der besten Materialien hergestellt worden sind und sorgfältig geprüft worden sind, bevor sie von unseren Anlagen versendet werden. Fußbodenuhren sind für den ursprünglichen Verbraucher oder Empfänger garantiert, frei zu sein von den Herstellungsdefekten in den Materialien und in der Kunstfertigkeit unter normalen Benutzungsbedingungen und Service ab dem Datum des Kaufs für einen Zeitraum von 2 Jahren. Die Quellbodenuhren sind für den ursprünglichen Verbraucher oder den Empfänger unter normalen Gebrauchsbedingungen frei von Fertigungsfehlern in Material und Verarbeitung und ab dem Kaufdatum für einen Zeitraum von einem Jahr garantiert.

Diese Garantie schließt nicht ein: Beschädigung des Produkts oder Komponenten, die durch Missbrauch, Unfall, Veränderung oder klimatische Bedingungen verursacht werden; Schäden, die durch normale Abnutzung, unsachgemäße Verwendung oder nicht autorisierte Reparatur entstehen; Natürliche Schwankungen im Holzkorn oder Oberflächenveränderungen durch Alterung oder Lichteinwirkung. Die Verpflichtung des Unternehmens im Rahmen dieser Gewährleistung beschränkt sich auf die Reparatur des Produkts oder Bauteils oder nach seiner Wahl durch ein neues Produkt oder Bauteil.

Eine Kopie des Kaufbeleges oder eines anderen vergleichbaren Nachweises über den ursprünglichen Kauf ist erforderlich, um einen Garantieservice zu erhalten. Einige Staaten erlauben nicht den Ausschluss oder die Beschränkung von zufälligen oder Folgeschäden oder die Begrenzung, wie lange eine stillschweigende Garantie dauert, so dass die oben genannten Einschränkungen oder Ausschlüsse möglicherweise nicht für Sie gelten. Diese Garantie gibt Ihnen bestimmte Rechte und Sie können auch andere Rechte haben, die von Staat zu Staat unterschiedlich sind. Beschädigung der Ladung

Durch die Annahme unseres Produkts für den Versand erkennt der Luftfrachtführer an, dass das Produkt im First Class Zustand ist. Durch die Unterzeichnung (oder jede andere Person, die in Ihrem Namen unterzeichnet), die Sendung zu akzeptieren, bestätigen Sie, dass das Produkt in demselben erstklassigen Zustand empfangen wurde, der versendet wurde. Sollte der Karton zerkleinert oder anderweitig beschädigt sein, beauftragen Sie den Fahrer, den Schaden auf der Frachtbriefe zu notieren und eine Reklamation mit dem Frachtführer einzureichen. Zu Ihrem Schutz empfehlen wir Ihnen, alle Waren zum Zeitpunkt der Lieferung zu kontrollieren, bevor Sie den Frachtbrief unterzeichnen. Wenn Sie oder Ihr Vertreter ohne Vorankündigung irgendwelche Schäden, Mängel oder Ausnahmen, akzeptieren Sie und besitzen die Ware, wie geliefert. Schaden in der Ladung versteckt

Melden Sie dem Transportunternehmen unverzüglich Beschädigungen. Einige Luftfahrtunternehmen müssen innerhalb von 2-3 Tagen nach der Zustellung Schadensersatz verlangen. Werden nach der Lieferung Schäden festgestellt, sind Sie (der Empfänger) für die Einreichung eines schriftlichen Verbotsschadens an den Frachtführer verantwortlich und bitten den Frachtführer, eine Inspektion durchzuführen und einen Schadensbericht zu erstellen. Die Einreichung dieses Anspruchs liegt in Ihrer Verantwortung, jedoch werden wir Sie mit dem Prozess unterstützen und handeln als Ihre Befürworter, eine zufriedenstellende Lösung mit dem Träger zu erreichen.

DAS UNTERNEHMEN HAFTET HAFTUNG FÜR SCHÄDEN ODER FOLGESCHÄDEN, DIE AUS DER VERLETZUNG DIESER GEWÄHRLEISTUNG ODER STILLSCHWEIGENDER GEWÄHRLEISTUNG FINDEN. DIE IMPLIZITEN GEWÄHRLEISTUNGEN DIESES PRODUKTS WERDEN NUR FÜR DIE DAUER DER AUSDRÜCKLICHEN GEWÄHRLEISTUNG GEWÄHRT, DIE FÜR DIESE OBEN GESTATTET WURDEN, UND ES SIND KEINE AUSDRÜCKLICHEN ODER STILLSCHWEIGENDEN GEWÄHRLEISTUNGEN (EINSCHLIESSLICH MARKTFÄHIGKEIT ODER EIGNUNG FÜR EINEN BESTIMMTEN ZWECK) IN DIESEM PRODUKT.

SERVICE- INFORMATIONEN

In dem unwahrscheinlichen Fall, dass Ihr Produkt während des Garantiezeitraums nicht ordnungsgemäß funktioniert oder repariert werden muss, wenden Sie sich bitte an Ihren Händler oder an die Firma, die das Produkt bereitgestellt hat, wenn es sich um eine Auszeichnung handelt. Sie werden Ihre erste Ressource für Informationen über Ihre Garantie- und Service-Optionen.

Wenn Ihre Standuhr mehr als zwei Jahre alt ist, ab Kaufdatum oder Quittung als Preis, ist Ihr Produkt nicht mehr unter der Garantie des Herstellers. Support für Produkte, die nicht mehr unter Garantie sind, erhalten Sie im "Help Center" unter www.ridgewayclocks.com.

Wir empfehlen Ihnen, alle Anweisungen, die Sie mit Ihrem Ridgeway -Produkt erhalten haben, sorgfältig durchzulesen und zu befolgen. Diese Anleitung liefert detaillierte Informationen, um die meisten Fragen zu beantworten.

Um weitere Informationen zu Ihrem Produkt zu erhalten, Teile zu bestellen oder ein Service-Center zu finden, besuchen Sie bitte die Hilfe-Seite unter www.ridgewayclocks.com. Das "Help Center" enthält Links zu Produkthandbüchern, Anleitungen, Videos und häufig gestellten Fragen.

Bevor Sie sich an Ihren Händler, den Lieferanten oder ein Service-Center wenden, haben Sie bitte die folgenden Informationen zur Verfügung. Die Modellnummer und die Seriennummer finden Sie auf dem Produktinformationsschild, das sich normalerweise auf der Rückseite oder Unterseite des Produkts befindet.

Modellnummer: _____ Seriennummer: _____
Datum Erworben: _____ Wo gekauft: _____

Wenn Ihre Standuhr direkt an Sie versandt wurde, liegt es in Ihrem Verantwortungsbereich, Frachtverluste oder Schäden an dem Frachtführer und Ihrem Händler oder dem Anbieter zu melden. Wenn der Karton Anzeichen für "sichtbare Schäden" anzeigt, weisen Sie den Fahrer darauf hin, den Schaden auf der Frachtrechnung zu beachten. Sollte ein Schaden nach der Auslieferung des Artikels festgestellt werden, benachrichtigen Sie Ihren Händler oder den Lieferant unverzüglich darüber. Viele Carrier benötigen eine Benachrichtigung innerhalb von 2 Tagen. Das Versäumnis, den Beförderer innerhalb der vorgeschriebenen Frist zu informieren, kann auf Ihre Ansprüche auf Schadensersatzansprüche verzichten und Sie können für den Schaden haftbar gemacht werden.

GERINGFÜGIGE LEISTUNGEN, DIE NICHT VON DER GARANTIE GEDECKT WERDEN

Die folgenden geringfügigen Leistungen sind nicht unter dieser Garantie gedeckt. Reparaturdienst und/oder Teile, um diese Leistungen auszuführen gehen auf Kosten des Verbrauchers.

1. "Aufstellen". Aufstellungsanweisungen sind mit Ihrem Produkt mitgeliefert worden.
2. Ölen und Reinigen des mechanischen Uhrwerks. Das Uhrwerk in Ihrer Uhr ist eine mechanische Einrichtung und erfordert deshalb je nach den klimatischen und den Umgebungsbedingungen periodisches Ölen und Reinigen. Unter normalen Bedingungen muß ein Uhrwerk etwa alle zwei Jahre ab Kaufdatum mit einem hochwertigen synthetischen Uhrenöl geölt werden. Bitte wenden Sie sich für diesen Dienst an eine qualifizierte Fachperson oder ein setzen Sie sich mit einem Autorisierten Dienstzentrum in Verbindung.
3. Ersatz der Pendelfeder, Einstellungen für Pendel, Zeiteinstellung und Viertelstunden- oder Stundenschlaghammer. Anweisungen für diese Einstellungen sind in diesem Heft enthalten. Anweisungen zum Ersatz der Pendelfeder sind mit Ihrem Produkt geliefert worden.

INSTRUCCIONES IMPORTANTES DE SEGURIDAD

Lea todas las instrucciones antes de usar este producto.

ADVERTENCIA – Para reducir el riesgo de quemaduras, incendio, descarga eléctrica o lesiones, siempre deben tomarse precauciones básicas cuando se usan aparatos eléctricos, incluyendo las siguientes:

- Desconectar del contacto antes de limpiarlo, instalar piezas o quitar piezas.
- Supervise atentamente cuando los aparatos sean usados por, o cerca de, niños o personas con discapacidades.
- Utilizar este aparato únicamente para el uso para el que fue diseñado según lo descrito en su instructivo. No usar aditamentos no recomendados por el fabricante.
- Nunca operar este aparato si el cable o el contacto están dañados, si no está funcionando correctamente, si está dañado o se cayó, o si cayó en agua. Lleve el aparato a un centro de servicio para que sea revisado y reparado.
- Mantenga el cable alejado de superficies calientes.
- Nunca opere el aparato si las aberturas de ventilación están bloqueadas. Mantenga las aberturas de ventilación libres de pelusa, pelo, etcétera.
- Nunca deje caer o inserte algún objeto dentro de alguna de las aberturas.
- No se utilice en el exterior.
- No opere donde se estén usando productos en aerosol o donde se esté administrando oxígeno.
- Para desconectarlo, ponga todos los controles en la posición de apagado y luego saque el enchufe del contacto.
- Para los productos con conexión a tierra: conecte este aparato únicamente en un contacto con conexión a tierra adecuada.
- Para cargar, siempre coloque los objetos más pesados en la parte inferior, no en la parte superior, para evitar la posibilidad de que el aparato se vuelque.

ADVERTENCIA- Riesgo de lesiones personales: no utilice este aparato para sostener equipo de video como televisores o monitores de computadora.

GUARDE ESTE INSTRUCTIVO.

IMPORTANTES MISES EN GARDE DE SÉCURITÉ

Lisez toutes les instructions avant d'utiliser ce produit.

AVERTISSEMENT – Pour réduire le risque de brûlure, d'incendie, de décharge électrique ou de blessure corporelle, suivez toujours les précautions de base lors de l'utilisation d'appareils électriques, y compris ce qui suit :

- Débrancher l'appareil de la prise avant le nettoyage, la traction ou l'enlèvement de pièces.
- Une surveillance étroite est nécessaire lorsque l'appareil est utilisé par ou près des enfants ou de personnes handicapées ou invalides.
- Utiliser cet appareil uniquement pour son usage prévu tel que précisé dans le mode d'emploi. Ne pas utiliser pas d'accessoires non recommandés par le fabricant.
- Ne jamais utiliser jamais cet appareil si le cordon ou la prise est endommagé, s'il ne fonctionne pas bien, s'il est tombé ou a été endommagé ou immergé dans l'eau. Retourner l'appareil à un centre de services pour examen et réparation.
- Garder le cordon éloigné des surfaces de chauffage.
- Ne jamais actionner l'appareil avec les ouvertures de ventilation bloquées. Garder les ouvertures de ventilation libres de charpie, de cheveux, etc.
- Ne jamais laisser tomber ou insérer des objets dans l'une des ouvertures.
- Ne pas utiliser à l'extérieur.
- Ne pas faire fonctionner dans un endroit où on emploie des produits en aérosol (atomiseurs) ni où on administre de l'oxygène.
- Pour débrancher, tourner tous les boutons de contrôle en position « arrêt » (off), puis débrancher.
- Pour les produits mis à la terre – relier cet appareil à une prise correctement mise à la terre seulement.
- Pour le chargement – toujours placer les articles lourds au fond et pas près du dessus, afin d'aider à prévenir le basculement de l'appareil.

AVERTISSEMENT – Risque de blessure corporelle – ne pas utiliser cet appareil comme support d'équipement vidéo, par ex., téléviseurs ou moniteurs d'ordinateur.

CONSERVER CES INSTRUCTIONS.

WICHTIGE SICHERHEITSAUWEISUNGEN

Lesen Sie alle Anweisungen vor der Benutzung dieses Produktes.

WARNUNG – Um das Risiko von Feuer, elektrischem Schlag oder Verletzungen von Personen zu vermeiden, sollten die folgenden grundlegenden Vorsichtsmaßnahmen zur Benutzung von elektrischen Gebrauchsgegenständen immer beachtet werden:

- Das Gerät von der Steckdose trennen, bevor das Gerät oder Teile des Gerätes gereinigt werden.
- Besondere Aufmerksamkeit ist angebracht, wenn das Gerät in der Nähe von oder durch Kinder oder Behinderte benutzt wird.
- Das Gerät sollte nur zu dem Zwecke benutzt werden, zu dem es bestimmt ist. Es sollten nur die vom Hersteller vorgeschlagenen Zusatzeinrichtungen benutzt werden.
- Das Gerät sollte nicht benutzt werden, wenn der Stecker oder das Kabel beschädigt sind, nicht richtig funktionieren, fallengelassen wurden oder mit Wasser in Berührung kamen. Bringen Sie in diesen Fällen das Gerät zur Durchsicht und ggf. zur Reparatur.
- Das Kabel sollte nicht mit geheizten Oberflächen in Berührung kommen.
- Das Gerät sollte nicht benutzt werden, wenn die Luftöffnungen blockiert sind. Die Luftöffnungen sollten frei von Haaren und Fusseln sein.
- Stecken Sie nichts in die Öffnungen oder lassen Sie nichts dort hinein fallen.
- Nicht draußen benutzen.
- Nicht dort benutzen, wo Sprayprodukte angewendet werden oder wo Sauerstoff verwendet wird.
- Um das Gerät zu trennen, schalten Sie zuerst alles aus und trennen Sie das Gerät dann von der Steckdose.
- Für geerdete Geräte dürfen Sie nur richtig geerdete Steckdosen benutzen.
- Zum Verladen packen Sie die schwereren Gegenstände zuerst ein und nicht nach oben. Dies ist zu vermeiden, damit das Gerät nicht umkippen kann.

WARNUNG – Risiko für Körperverletzungen. Das Gerät sollte nicht als Unterlage für Fernseher oder Computer-Monitore verwendet werden.

DIESE ANWEISUNGEN AUFHEBEN.



Ridgeway Clock Company
www.ridgewayclocks.com

Thank you for selecting a Ridgeway clock.

For over 80 years, our family has taken pride in knowing that the heirlooms we make will be treasured in your family for generations. This legacy and dedication to quality is found in every Ridgeway clock – from the soothing melody of the chimes to the quality hardwood construction and hand-applied finishes. We are confident that you and your family will enjoy your clock for years to come.

With our sincere thanks,

A handwritten signature in white ink that reads "Buzz Miller". The signature is written in a fluid, cursive style.

Buzz Miller
President – Ridgeway Clock Company