



Easy Assembly — Keyboard Tray

The key to comfort is an adjustable keyboard tray.

Tools Required



Phillips-head
screwdriver



Time Required

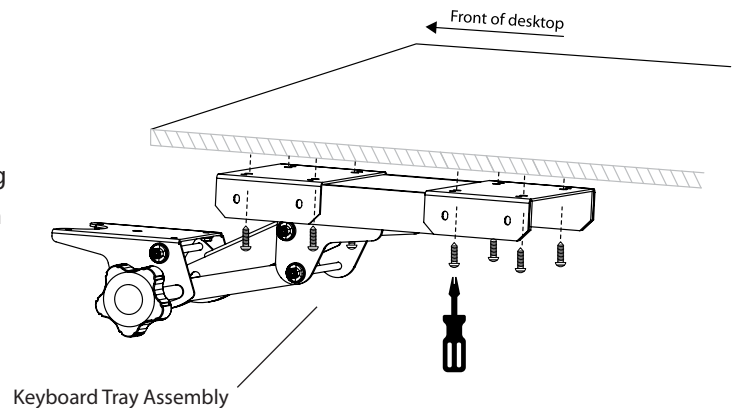
Quicker than
answering
a few emails



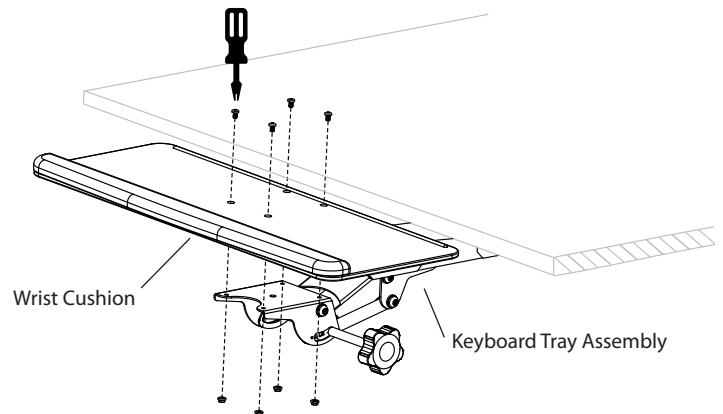
Note: Follow these simple steps to assemble the Keyboard Tray.

The easiest task you'll complete all day.

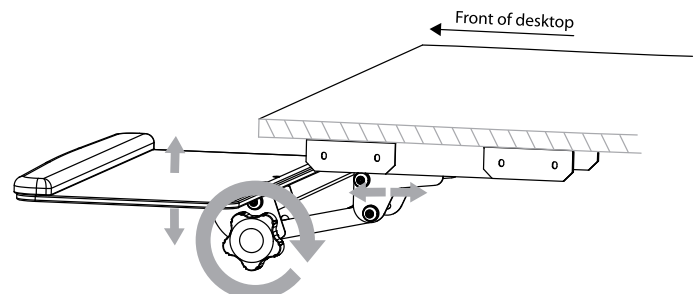
- 1 Fasten the Keyboard Tray Assembly to your SmartMoves desktop using the eight $\frac{5}{8}$ " wood screws provided. The adjustable arm with knob should be facing out from the desk. There are eight factory drilled holes in the desktop to help guide installation.



- 2 Fasten the Keyboard Tray using the four $\frac{1}{2}$ " machine screws and nuts provided. The Wrist Cushion should be facing away from the desk, as pictured.



- 3 Rotate the knob to adjust the Keyboard Tray to find your most comfortable typing position.



- 4 Type yourself a thank-you note. You deserve it.