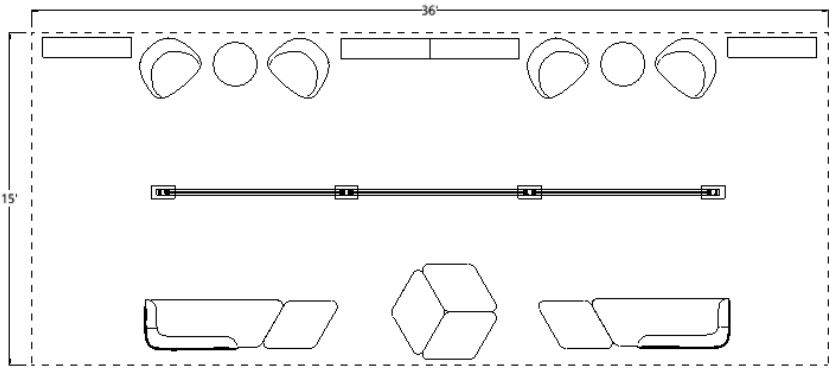


# APP-212

Overall Footprint 36' x 15'

Product Line Park  
Peak  
Viz



[View APP-212](#) →

**DISCLAIMER:**  
DRAWING AND SPECIFICATIONS NOT FOR ORDER  
ENTRY. IDEA STARTERS TO BE USED FOR  
BUDGETARY AND INSPIRATIONAL PURPOSES ONLY.  
PLEASE CONTACT A SALES REPRESENTATIVE OR  
AUTHORIZED DEALER FOR PRICING.