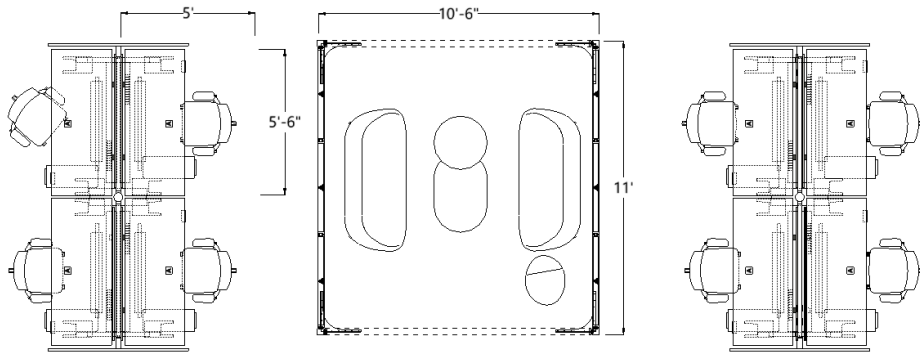


# APP-301



Workstation Footprint 5' x 5'-6"

Overall Footprint 36' x 12'

Product Line	Beyond Pavilion	Park
	Evo	Radii
	Further Adaptive	Two Thirds



[View APP-301](#) →

**DISCLAIMER:**  
DRAWING AND SPECIFICATIONS NOT FOR ORDER ENTRY. IDEA STARTERS TO BE USED FOR BUDGETARY AND INSPIRATIONAL PURPOSES ONLY. PLEASE CONTACT A SALES REPRESENTATIVE OR AUTHORIZED DEALER FOR PRICING.