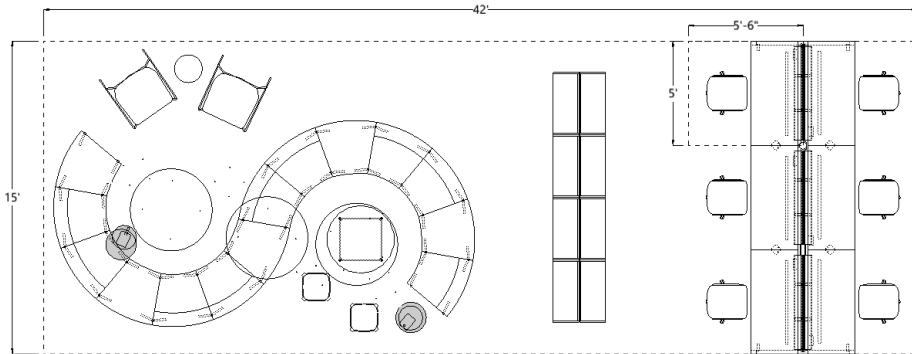


COL-170



Workstation Footprint 5'-6" x 5'

Overall Footprint 42' x 15'

Product Line	Belong Briefing Clarity Further	Jetty:Mod Silea Trillia	Two Thirds Vicinity Zilenzio Screen
--------------	--	-------------------------------	---



[View COL-170](#) →

DISCLAIMER:
DRAWING AND SPECIFICATIONS NOT FOR ORDER ENTRY. IDEA STARTERS TO BE USED FOR BUDGETARY AND INSPIRATIONAL PURPOSES ONLY. PLEASE CONTACT A SALES REPRESENTATIVE OR AUTHORIZED DEALER FOR PRICING.