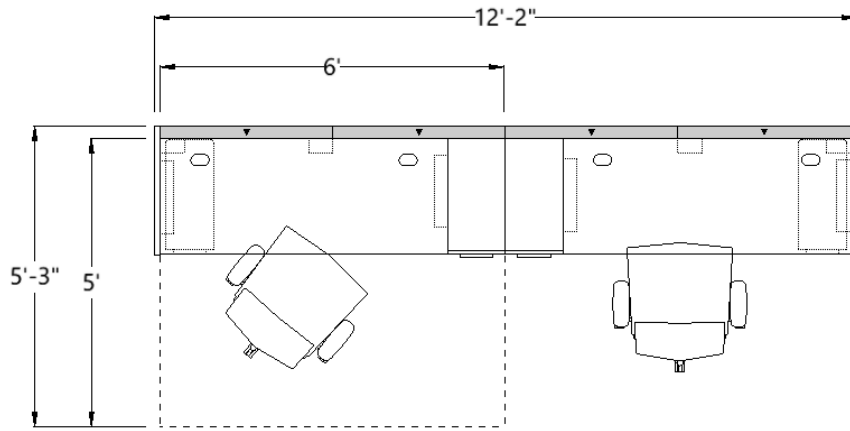


TER-131

Workstation Footprint 6' x 5'

Overall Footprint 12'-2" x 5'-3"

Product Line
 Approach
 Radii
 Svelte
 Terrace



[View TER-131](#) →

DISCLAIMER:
 DRAWING AND SPECIFICATIONS NOT FOR ORDER ENTRY. IDEA STARTERS TO BE USED FOR BUDGETARY AND INSPIRATIONAL PURPOSES ONLY. PLEASE CONTACT A SALES REPRESENTATIVE OR AUTHORIZED DEALER FOR PRICING.