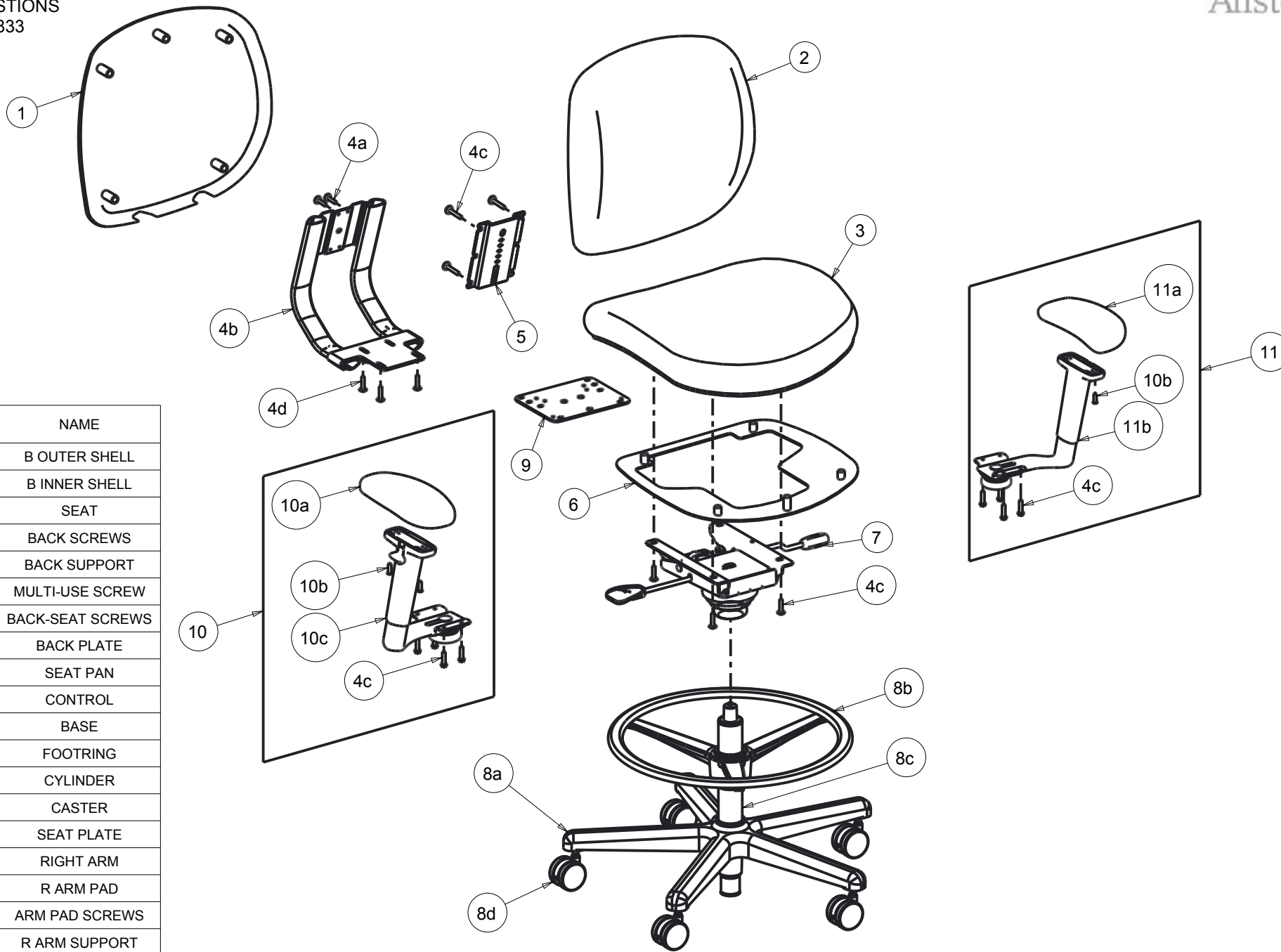


PLEASE CONTACT CUSTOMER SUPPORT WITH ANY QUESTIONS
888-255-7833

Allsteel®



DETAIL NO.	NAME
1	B OUTER SHELL
2	B INNER SHELL
3	SEAT
4a	BACK SCREWS
4b	BACK SUPPORT
4c	MULTI-USE SCREW
4d	BACK-SEAT SCREWS
5	BACK PLATE
6	SEAT PAN
7	CONTROL
8a	BASE
8b	FOOTRING
8c	CYLINDER
8d	CASTER
9	SEAT PLATE
10	RIGHT ARM
10a	R ARM PAD
10b	ARM PAD SCREWS
10c	R ARM SUPPORT
11	LEFT ARM
11a	L ARM PAD
11b	L ARM SUPPORT