

GENERAL NOTES

1. ALWAYS PROTECT THE PRODUCT DURING INSTALLATION
2. ALWAYS LEVEL UNITS AT FINAL LOCATION
3. MOUNT MACHINE SCREWS INTO METAL FRAME USING FRONT POWER TOP-PLATE HOLES
4. MOUNT WOOD SCREWS INTO PLYWOOD USING REAR POWER TOP-PLATE HOLES

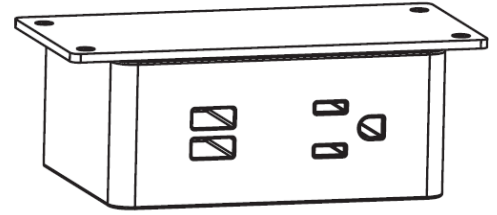
ATTACHMENT HARDWARE



#10-24x3/4" MACHINE SCREW



10X1.5" WOOD SCREW

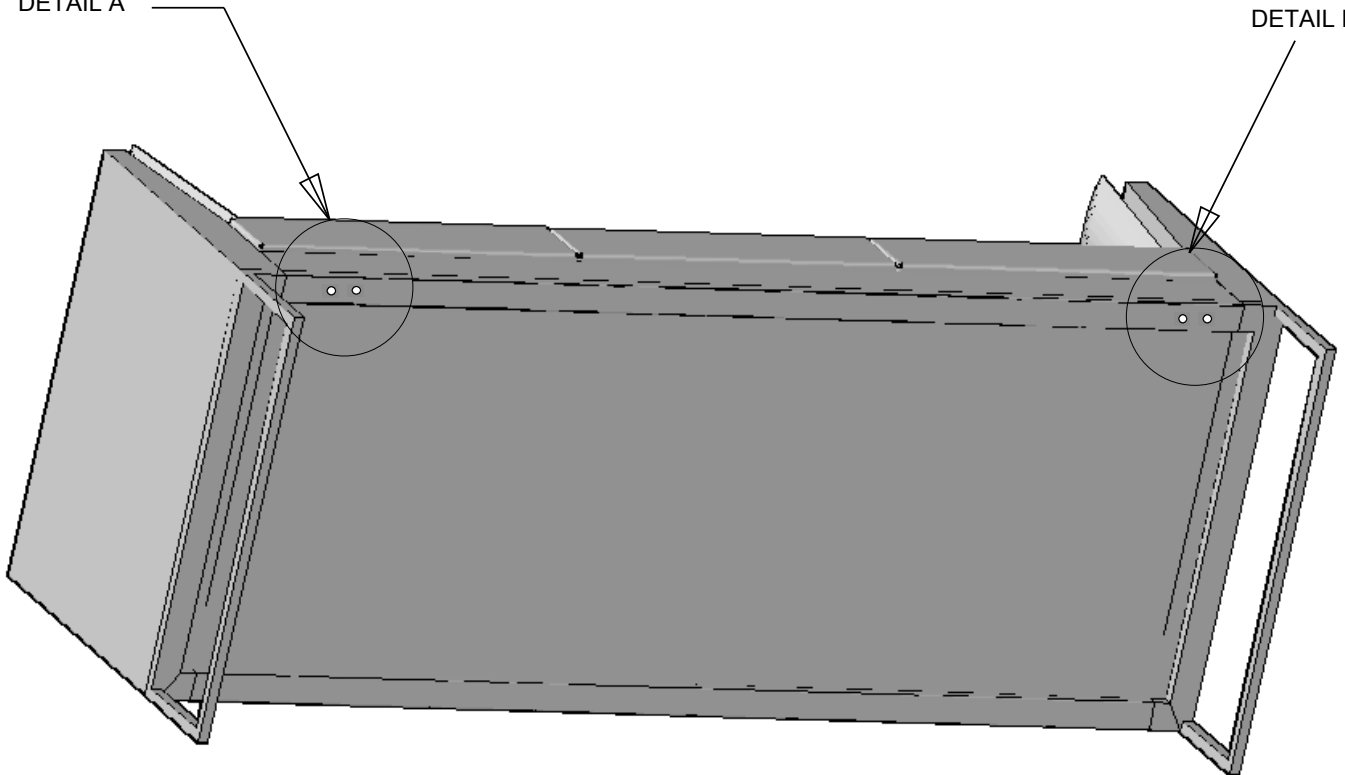


POWER UNIT
(COMES WITH TOP PLATE SHOWN
ATTACHED TO POWER UNIT)

1. FLIP OVER PRODUCT AND LOCATE PRE-DETERMINED HOLES IN UNDERSIDE OF LOUNGE METAL FRAME AT RIGHT OR LEFT SIDE, HOLE LOCATIONS INSET 6" FROM END ASSEMBLY LEGS (SEE DETAILS A & B)

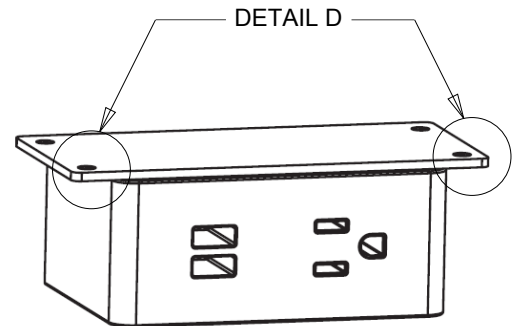
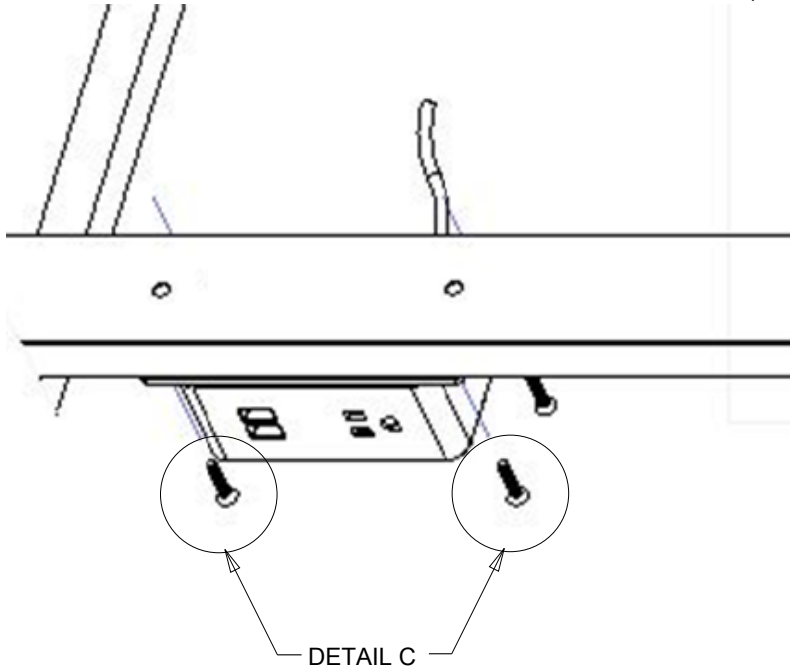
DETAIL A

DETAIL B



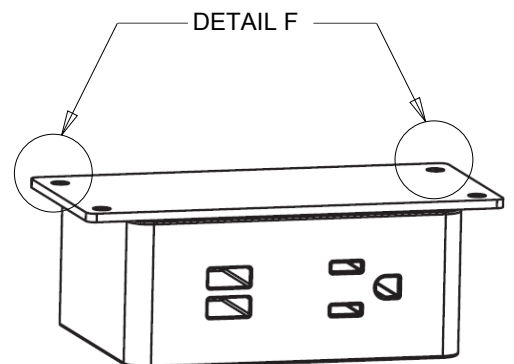
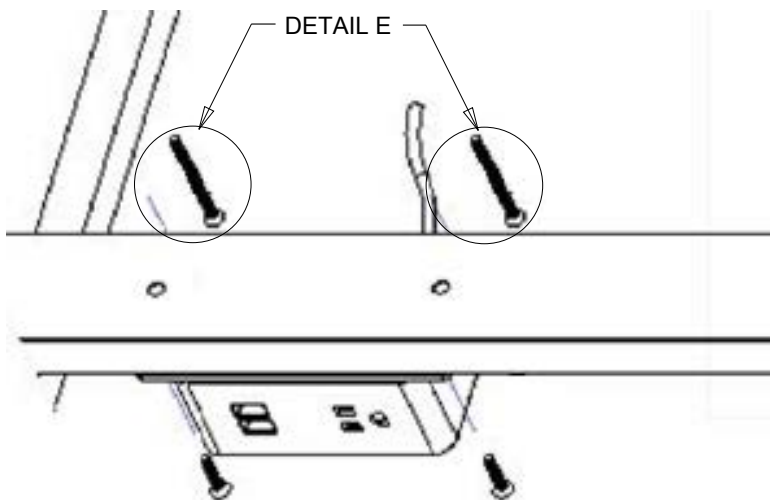
2. USE QTY (2) #10-24x3/4" MACHINE SCREWS TO MOUNT POWER UNIT DIRECTLY INTO METAL FRAME, USING FRONT TOP-PLATE HOLES IN POWER UNIT (SEE DETAILS C & D)

(TOP DOWN VIEW OF METAL LOUNGE FRAME WITHOUT UPHOLSTERED LOUNGE VISIBLE)

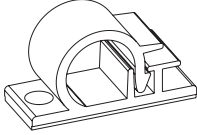


3. USE QTY (2) #10x1.5" WOOD SCREWS TO MOUNT POWER UNIT DIRECTLY INTO PLYWOOD UNDERSIDE OF LOUNGE, USING REAR TOP-PLATE HOLES IN POWER UNIT (SEE DETAILS E & F). THERE WILL BE A SMALL GAP BETWEEN TOP-PLATE AND PLYWOOD WHEN COMPLETE.

(TOP DOWN VIEW OF METAL LOUNGE FRAME WITHOUT UPHOLSTERED LOUNGE VISIBLE)

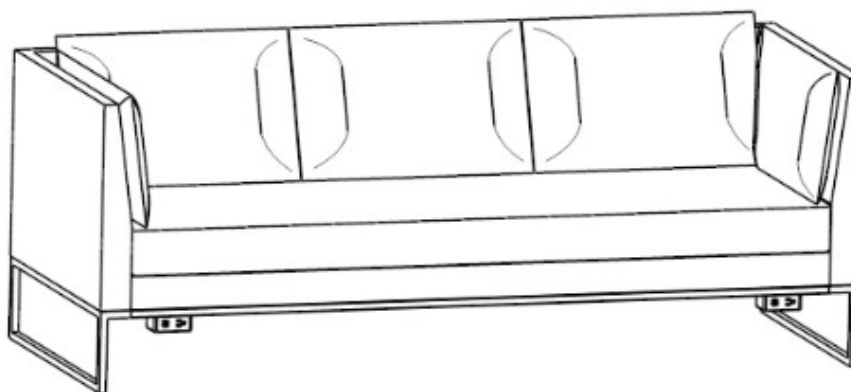
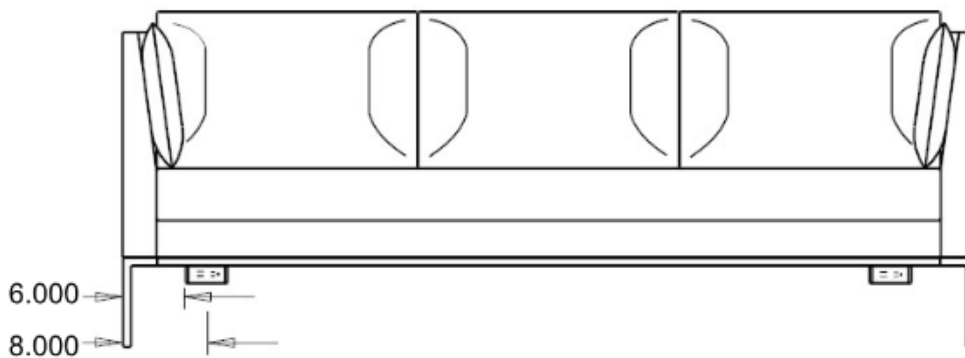


4. ONCE ALL (4) SCREWS ARE TIGHTENED TO SECURE POWER UNIT, USE THE QTY (5) WIRE MANAGEMENT CLIPS THAT COME PRE-ATTACHED TO POWER UNIT CORD AND SCREW CLIPS DIRECTLY INTO PLYWOOD UNDERSIDE OF LOUNGE AS DESIRED TO FEED CORD TOWARDS FLOOR CORE.



(QTY 5 WIRE CLIPS ALONG LENGTH OF POWER UNIT CORD)

5. STAND UNIT BACK UP AND LEVEL GLIDES SO THAT LOUNGE UNIT DOES NOT ROCK/MOVE IN ITS FINAL LOCATION



(LEFT AND RIGHT MOUNTED POWER UNIT LOCATIONS SHOWN)